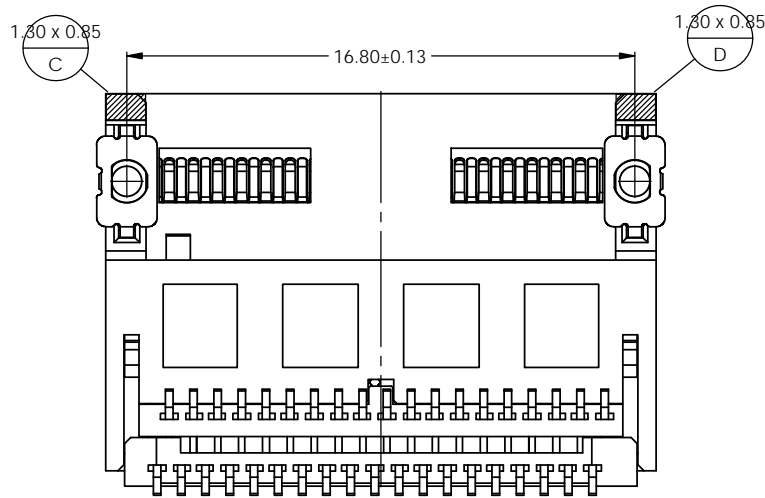
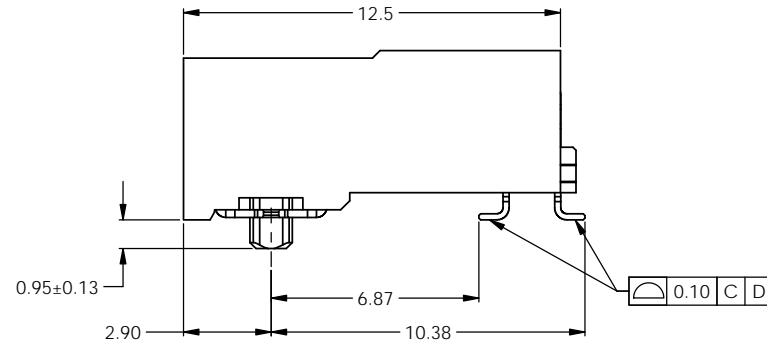
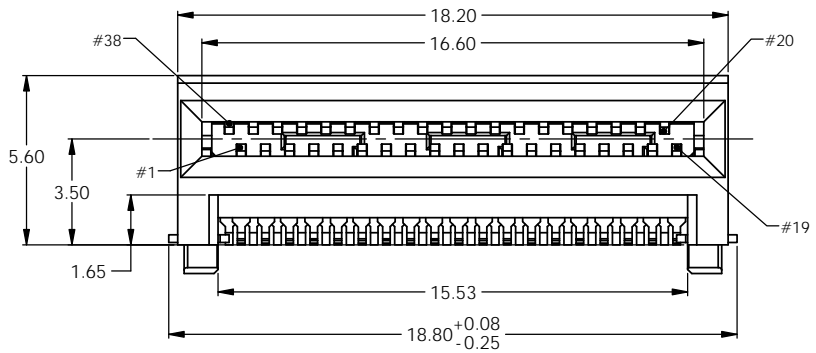


REVISIONS			
REV.	DESCRIPTION	DATE	APPROVED
A	INITIAL RELEASE	05-Nov-19	J.S
B	UPDATE DRAWING	18-Nov-19	J.S
C	UPDATE DRAWING	30-Mar-20	J.S
D	ADD WIDTH DIM	10-Mar-21	J.S



FS1-K38-20ZA-4X

PACKAGING DIRECTION

- 0 = see sheet 4
- 1 = see sheet 4

CONTACT PLATING OPTION

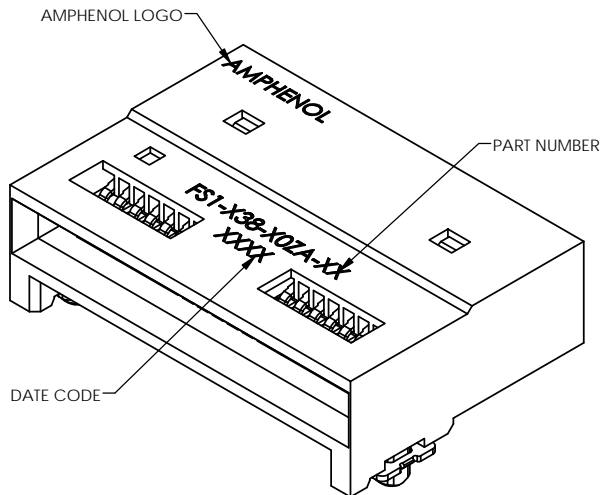
- 2 = 30 MICRO INCHES MINIMUM OF GOLD ON MATING END WITH 100 MICRO INCHES MINIMUM OF MATTE TIN ON SOLDER TERMINATION, 50 TO 75 MICRO INCHES OF NICKEL UNDER PLATE ALL OVER. 100 MICRO INCHES MINIMUM OF MATTE TIN ON SOLDER RINGS.

NOTES:

1) MATERIAL:

HOUSING: SOLDER REFLOW PROCESS COMPATIBLE LCP, UL94V-0
 CONTACTS: PHOSPHOR BRONZE
 SOLDER RINGS: PHOSPHOR BRONZE
 RESONANCE DAMPENING FEATURE: CONDUCTIVE POLYMER

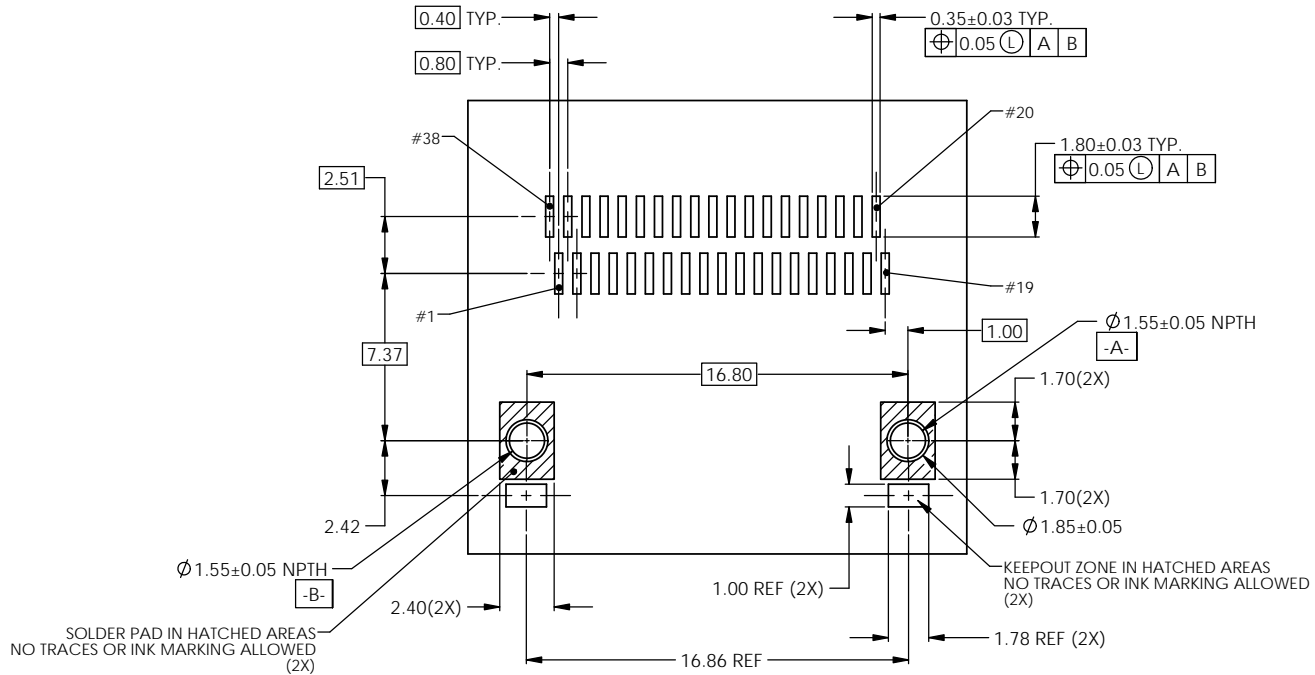
2) ROHS COMPLIANT



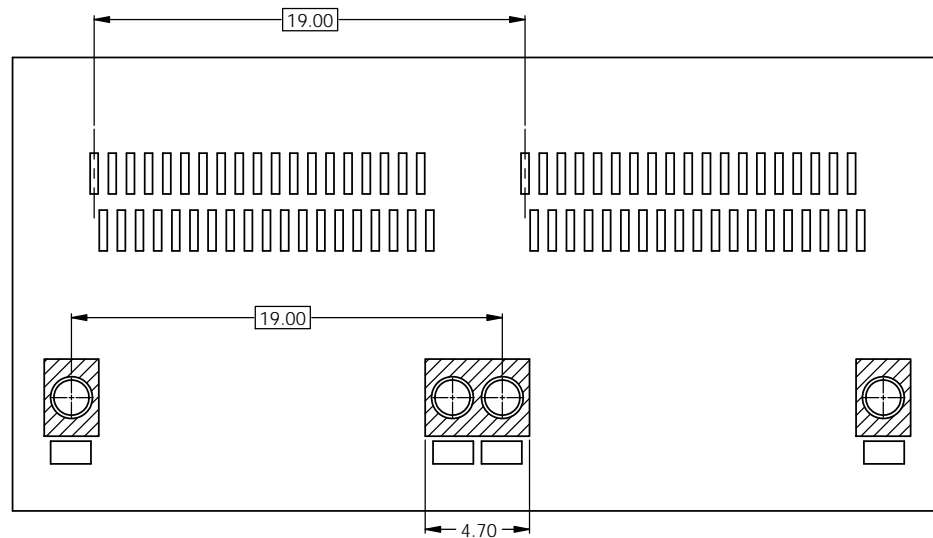
DO NOT SCALE DRAWING

THIS DOCUMENT CONTAINS PROPRIETARY INFORMATION AND SUCH INFORMATION MAY NOT BE DISCLOSED TO OTHERS FOR ANY PURPOSE OR USED FOR MANUFACTURING PURPOSES WITHOUT PERMISSION FROM AMPHENOL CANADA CORP.

UNLESS OTHERWISE SPECIFIED, DIMENSIONS ARE IN MILLIMETERS		APPROVALS	DATE	Amphenol High Speed Interconnects
DECIMALS	ANGLES	DRAWN	05-Nov-19	A Division of Amphenol Corp. www.amphenol-highspeed.com
.X ± 0.2	± 2°	DESIGNED	05-Nov-19	
.XX ± 0.1		CHECKED	05-Nov-19	ExtremePort OSFP SMT CONNECTOR (56G PAM4)
MATERIAL AND FINISH		DR. APP'D	05-Nov-19	
ENG. REL. NO.		DR. APP'D	05-Nov-19	
CODE IDENT. NO.	03554	DRG. APP'D	05-Nov-19	



RECOMMENDED PCB LAYOUT FOR 1X1

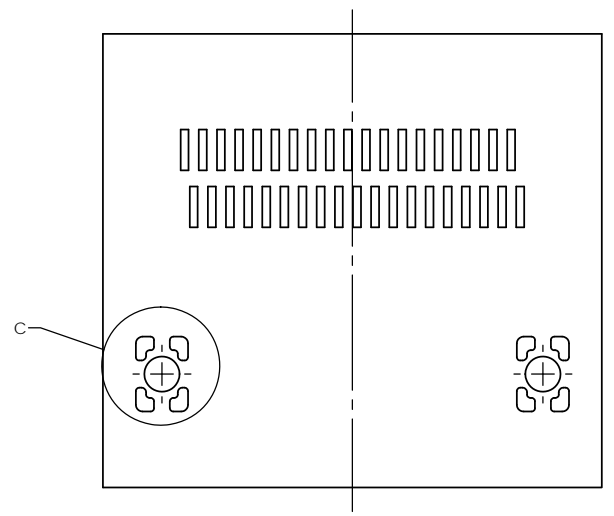
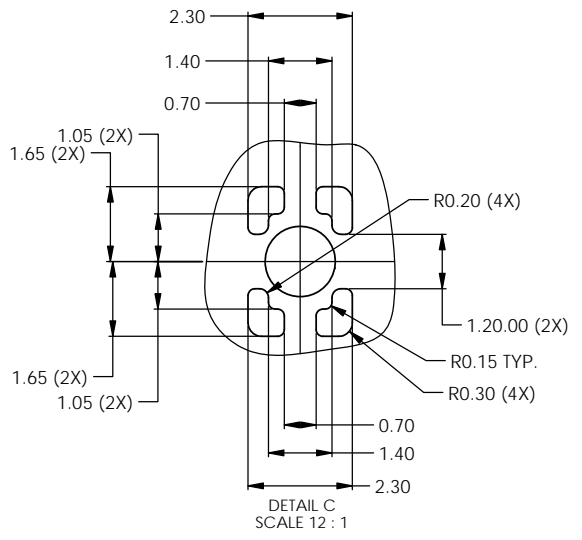


RECOMMENDED PCB LAYOUT FOR 1XN (OTHER DIMENSIONS REFER TO THE SINGLE PORT PCB LAYOUT)

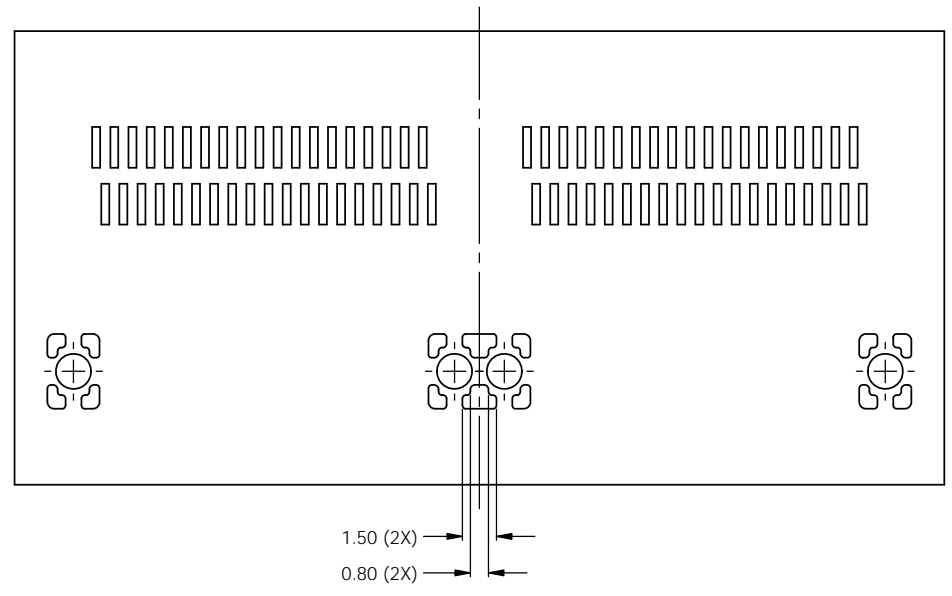
DO NOT SCALE DRAWING

THIS DOCUMENT CONTAINS PROPRIETARY INFORMATION AND SUCH INFORMATION MAY NOT BE DISCLOSED TO OTHERS FOR ANY PURPOSE OR USED FOR MANUFACTURING PURPOSES WITHOUT PERMISSION FROM AMPHENOL CANADA CORP.

UNLESS OTHERWISE SPECIFIED DIMENSIONS ARE IN MILLIMETERS DECIMALS ANGLES .X ± 0.10 ± 2° .XX ± 0.05 MATERIAL AND FINISH	APPROVALS	DATE	Amphenol High Speed Interconnects A Division of Amphenol Corp. www.amphenol-highspeed.com ExtremePort QSFP SMT CONNECTOR (56G PAM4)
	DESIGNED: Rose.Y	05-Nov-19	
	CHECKED: Chigow.X	05-Nov-19	
	DRAWN: Joe.P	05-Nov-19	
ENG. REL. NO.	DR. APP'D: Andy.C.	05-Nov-19	SCALE: NTS
CODE IDENT. NO. 03554	DRG. APP'D: J.SI	05-Nov-19	PROJECT: FS1



RECOMMENDED SOLDER MASK LAYOUT FOR 1X1

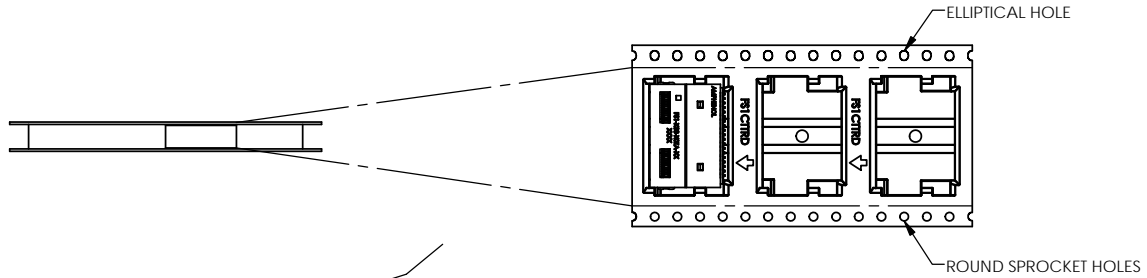


RECOMMENDED SOLDER MASK LAYOUT FOR 1XN (OTHER DIMENSIONS REFER TO THE SINGLE PORT LAYOUT)

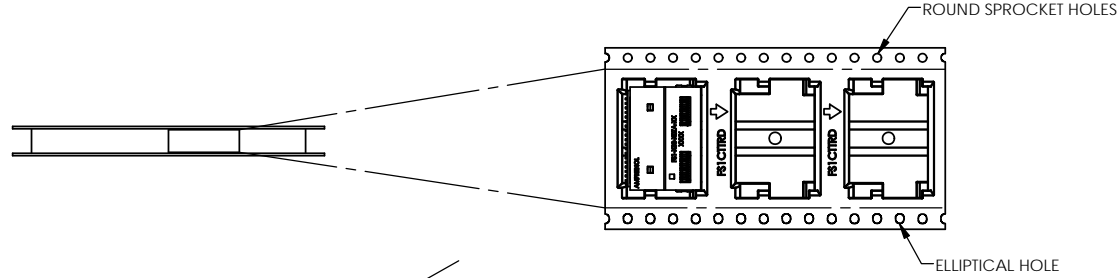
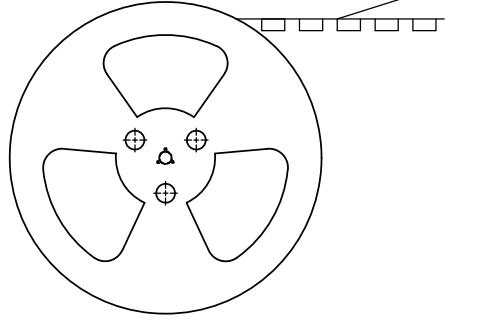
DO NOT SCALE DRAWING

UNLESS OTHERWISE SPECIFIED DIMENSIONS ARE IN MILLIMETERS TOLERANCES ARE: DECIMALS ANGLES .X ± 0.10 ± 2° .XX ± 0.05	APPROVALS	DATE	Amphenol High Speed Interconnects A Division of Amphenol Corp. www.amphenol-highspeed.com ExtremePort OSFP SMT CONNECTOR (56G PAM4)
	DRAWN	Rose.Y 05-Nov-19	
	DESIGNED	Rose.Y 05-Nov-19	
	CHECKED	Chigow.X 05-Nov-19	
MATERIAL AND FINISH	DR APP'D	DATE	
	Joe.P 05-Nov-19		
ENG.RELNO	DR APP'D	DATE	
	Andy.C 05-Nov-19		
CODE IDENT NO	03554	DRG APP'D	J.SI 05-Nov-19
		SCALE	NTS
		PROJECT	FS1
		DRAWING NO	P-FS1-K38-20ZA-4X
		REV	D
		SHEET	1 OF 1

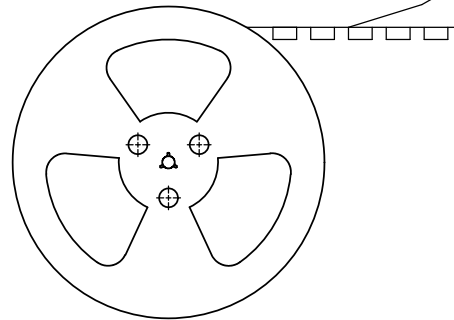
THIS DOCUMENT CONTAINS PROPRIETARY INFORMATION AND SUCH INFORMATION MAY NOT BE DISCLOSED TO OTHERS FOR ANY PURPOSE OR USED FOR MANUFACTURING PURPOSES WITHOUT PERMISSION FROM AMPHENOL CANADA CORP.



FS1-K38-20ZA-41 PACKAGING



FS1-K38-20ZA-40 PACKAGING



DO NOT SCALE DRAWING

THIS DOCUMENT CONTAINS PROPRIETARY INFORMATION AND SUCH INFORMATION MAY NOT BE DISCLOSED TO OTHERS FOR ANY PURPOSE OR USED FOR MANUFACTURING PURPOSES WITHOUT PERMISSION FROM AMPHENOL CANADA CORP.

<small>UNLESS OTHERWISE SPECIFIED DIMENSIONS ARE IN MILLIMETERS TOLERANCES ARE:</small> <small>DECIMALS</small> .X ± 0.2 .XX ± 0.1 <small>ANGLES</small> ± 2° <small>MATERIAL AND FINISH</small>	APPROVALS	DATE	Amphenol High Speed Interconnects <small>A Division of Amphenol Corp. www.amphenol-highspeed.com</small> ExtremePort OSFP SMT CONNECTOR (56G PAM4)
	DESIGNED	Rose.Y 05-Nov-19	
	CHECKED	Chigow.X 05-Nov-19	
	DRAWN	Joe.P 05-Nov-19	
<small>ENGR.RELNO</small>	<small>DR.APP'D</small>	<small>DATE</small>	<small>SCALE</small>
	Andy.C 05-Nov-19	05-Nov-19	NTS
<small>CODE IDENT. NO</small>	<small>ENGR APP'D</small>	<small>SCALE</small>	<small>PROJECT</small>
03554	J.SI 05-Nov-19	NTS	FS1
		<small>REV</small>	<small>SHEET</small>
		D	1 OF 1