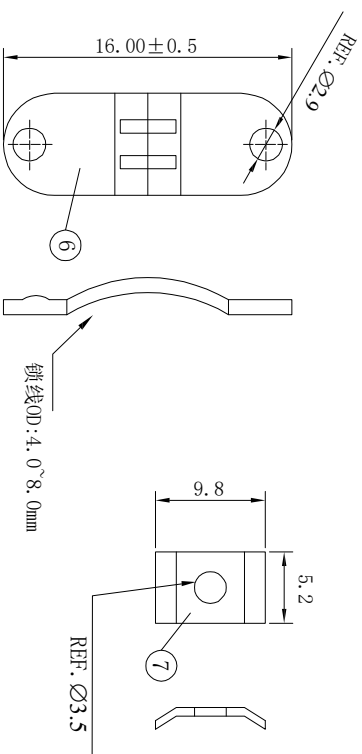
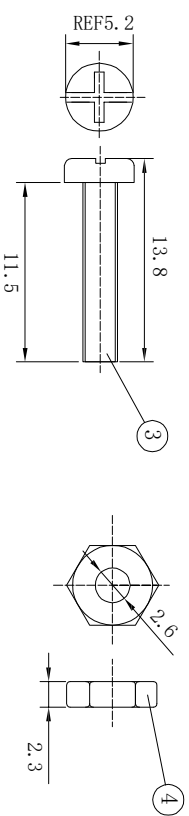
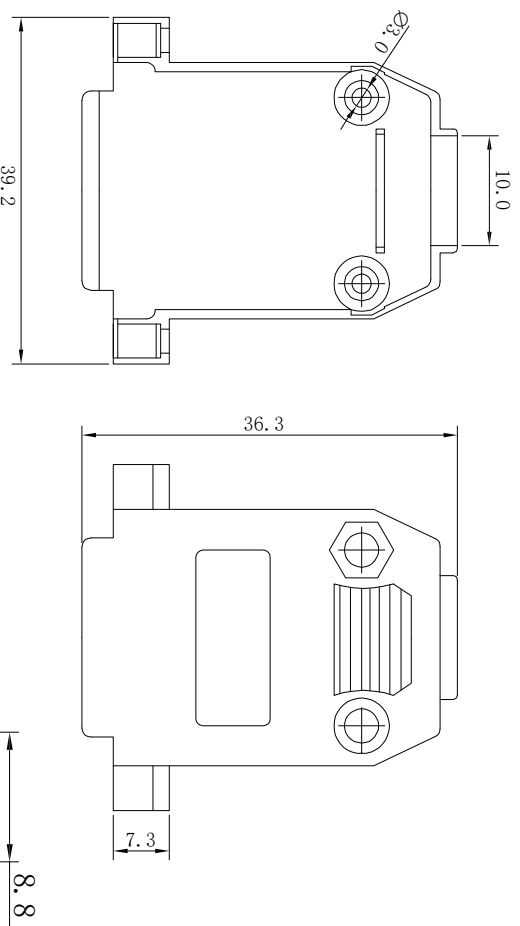


PART NO.:
B05-015NINBN6-XXC

ENTRY HOLE SIZES:
65: OD 6.5mm
80: OD 8.0mm



ITEM	DESC.	MATERIAL	REMARKS	PART REMARKS
1	上下外壳	ABS	PLATING: Cr	1SET
2	半牙螺丝4#40	快削铁	PLATING: Ni	2PCS
3	固定螺丝M3	快削铁	PLATING: Ni	2PCS
4	固定螺母M3	快削铁	PLATING: Ni	2PCS
5	线夹螺丝M3	快削铁	PLATING: Ni	2PCS
6	线夹	SPCC	PLATING: Ni	2PCS
7	垫片	SPCC	PLATING: Ni	2PCS

PART NAME: D-SUB 15P(HDB 26Pin)ABS Hood (Plating Cr) PART NO.: B05-015NINBN6-XXC

QUALITY SYMBOLS

Tolerance

REVISIONS

SCALE: N:1

DATE: 2018/03/11

DRW BY: Huangmei

CHK BY: Jock Chen

APP BY: Jock Chen

QUALITY SYMBOLS

CRITICAL

MAJOR

ZERO DEFECT

S.P.C

APPROVER

NEW ISSUE

DATE

DESCRIPTION

APPROVER

2018/03/11

DATE

DESCRIPTION

APPROVER

Kinkuo
东莞市箐围电子有限公司
www.kinkuo.com