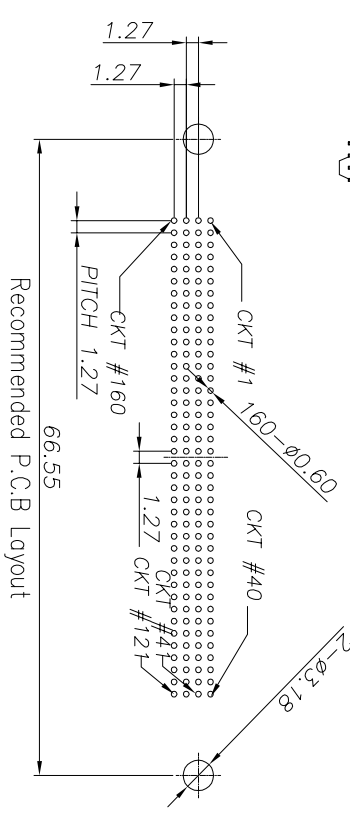
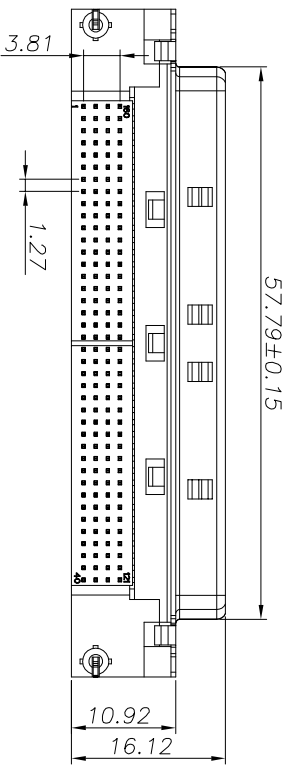
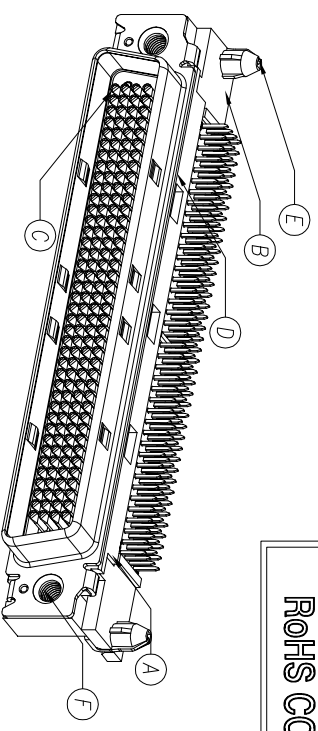
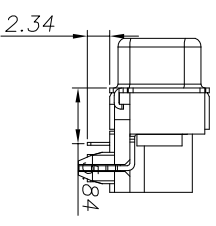
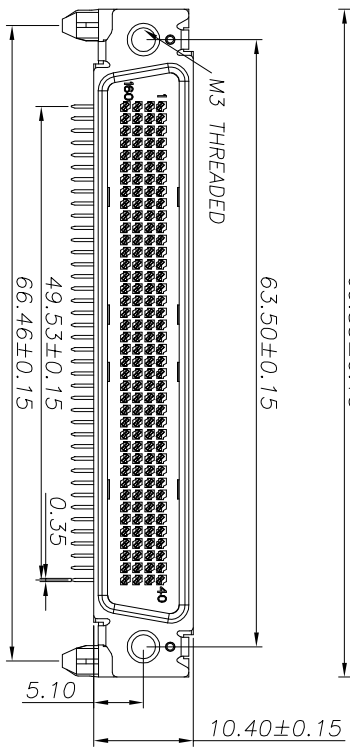
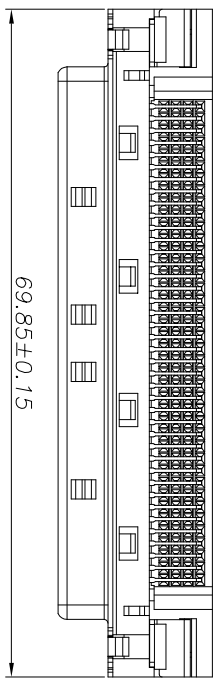


ROHS COMPLIANT



Recommended P.C.B Layout

**ELECTRICAL SPECIFICATIONS:**

1. Voltage: 40 VAC RMS.
2. Current: 1.0 Amps at 30°C temperature rise.
3. Initial Contact Interface resistance: 10 milliohms max.
4. Dielectric Strength: 500 VRMS for 1 minute.
5. Operating Temperature: -45°C TO +85°C

F	NUT	2 PCS	COPPER	NICKEL 60U "MIN
E	HARPOON	2 PCS	COPPER	NICKEL 60U "MIN
D	SHELL	1 PCS	SPCC	NICKEL 60U "MIN
C	TERMINAL	160 PCS	C5191 T0.30	CONDUCT AREA: AU 30U" TIN PLATING ON SOLDER AREA.
B	COVER	1 PCS	LCP 30%GF	UL94-V0 BLACK
A	HOUSING	1 PCS	LCP 30%GF	UL94-V0 BLACK
NO.	DESCRIPTION	Q.TY	MATERIAL	PLATING & COLOR

**QUALITY SYMBOLS**

□:  CRITICAL  
 ▽:  MAJOR  
 ▽:  ZERO DEFECT S.P.C

**Tolerance**

X: ±0.50  
 X: ±0.30  
 .XX: ±0.10

NAME: LFH 160P1n 1.27mm Male R/A Connector  
 PART NO. 71624-2000

REV:	B	UNIT:	mm	DRW BY:	CHK BY:	APP BY:	DRAWING NO.
SCALE:	NONE	DATE:	2022/08/30	DAW NHU	Mao		71624-01

东莞市箐国电子有限公司

△					
△	2022/08/30	新版发行	Mao Junfeng		
SIDE	DATE	DESCRIPTION	APPROVER	ZERO DEFECT S.P.C	
8		7	6	5	4

3 2 1