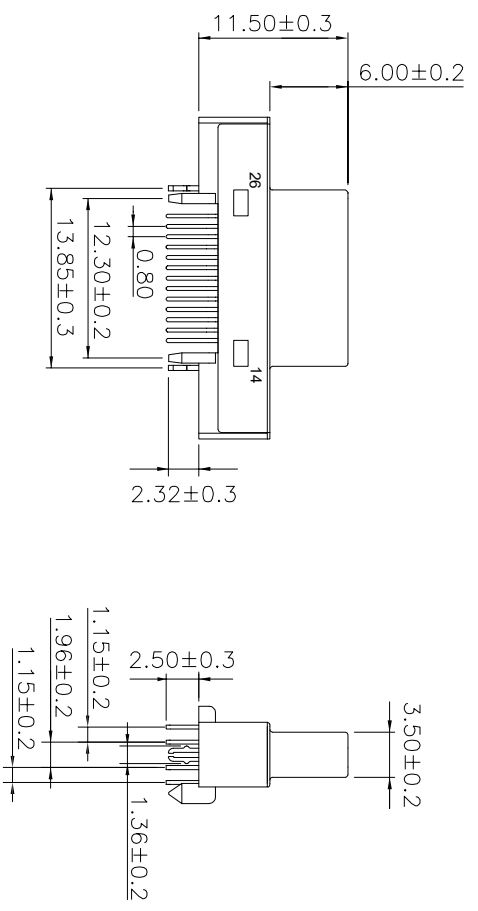
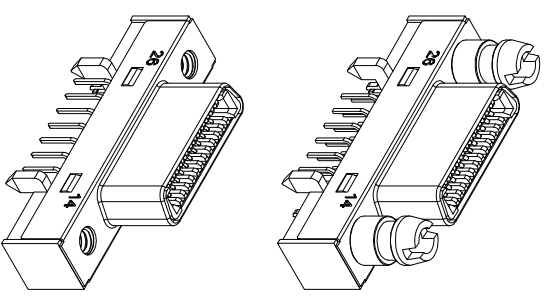


PCB Layout



- Contact Current Voltage: 125V AC
- Current Rating: 0.5 Amp
- Insulation Resistance: 1000MΩ Min
- Withstanding Voltage: 350V AC
- Contact Resistance: 70mΩ Max
- Temperature Range: -45°C ~ +85°C

5	Nut	Steel	Nickel Plated
4	Boardlock	Brass	Tin Plated
3	HOUSING	PA9T UL94V-0	COLOR:BLACK
2	SHELL	SPCC	PLATING:NI
1	TERMINAL	PHOSPHOR BRONZE	CONTACT AREA:Au 30u" SOLDER AREA:Sn UNDER-PLATING:NI

PART NAME: SDR 26Pin Female V/T Type Connector Pitch=0.8mm (3W: 12226-1150-00FR) PART NO: B06-026611YD-02

QUALITY SYMBOLS

□: Tolerance
 ☒: MAJOR
 ▽: CRITICAL
 ▽: ZERO DEFECT S.P.C

REV:	A	UNIT:	mm	DRW BY:	CHK BY:	APP BY:	DRAWING NO:
SCALE:	N:1	DATE:	2023/03/11	Huangmei:	Jack Chen		B06-026



东莞市箐国电子有限公司
www.kinkuo.com

A	2023/03/11	NEW ISSUE	Jack Chen
DATE	DESCRIPTION	APPROVER	

8	7	6	5	4	3	2	1
---	---	---	---	---	---	---	---