

ORIGINAL

REVISIONS				
SYM	ECN No.	DESCRIPTION	DATE	BY
A	NE-13127	RELEASE	08/09/2013	HANK HSU
B	NE-13177	MODIFIED LEAD-IN CHAMFER	11/01/2013	HANK HSU

This document is the property of Amphenol Corporation and is delivered on the express condition that is not to be disclosed, reproduced or used, in whole or in part, for manufacture or sale by anyone other than Amphenol Corporation without its prior consent, and that no right is granted to disclose or to use any information in this document.

The marking on this product doesn't contain environmental hazardous materials per Material Specification SS-00259 for Sony GP compliant or per directive 2011/65/EU for RoHS compliant.

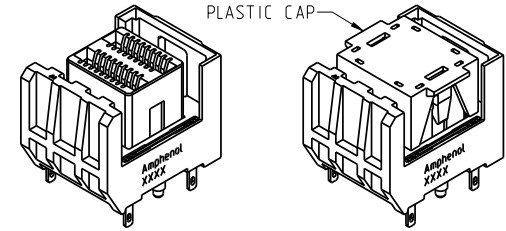
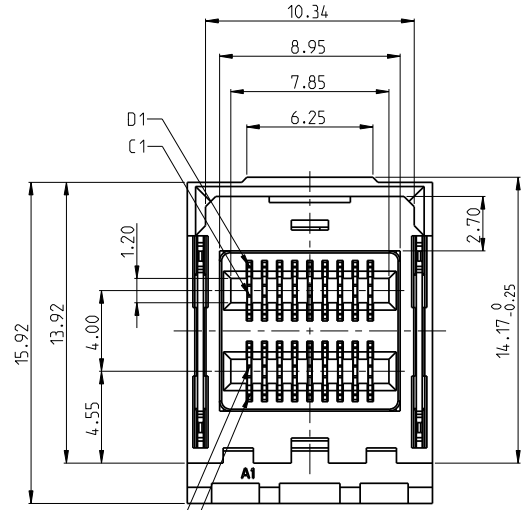


TABLE 1

DIM A	APPLICABLE PCB THK
2.40	1.57~1.60
3.59	2.36~2.79
3.98	3.18

PART NUMBER SYSTEM

Mini SAS HD Integrated Connector

Connector Style
3: V/T, w/anti-reverse wall

Number of Integration
X: OPTION
1: 1X1
2: 1X2

Contact Finish
X: OPTION
3: 30u" Gold

Terminal Style
X: OPTION
2: SMT, 100u" MIN MATTE TIN PLATING

Verification Code
X: OPTION
BLANK: STANDARD

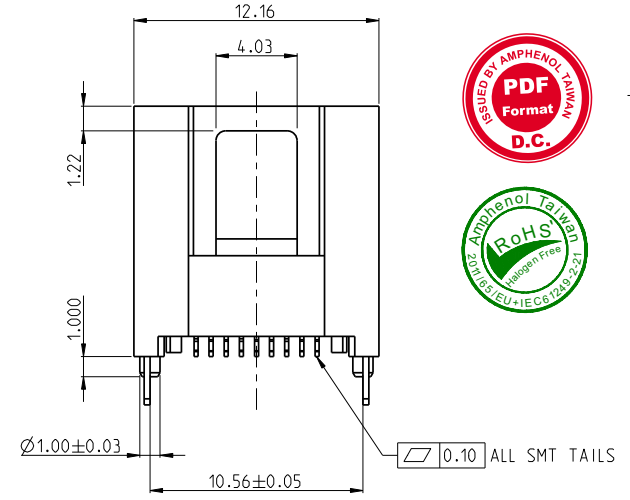
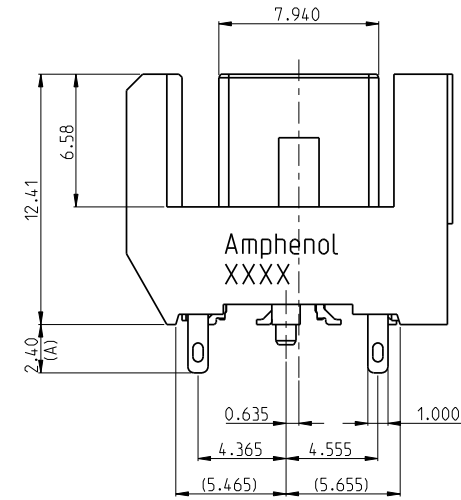
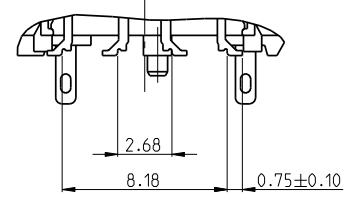
Compliant Code
XX: OPTION
HR: Halogen-Free & RoHS

BOARDLOCK CODE
X: OPTION
1: 2.40 mm
2: 3.59 mm
3: 3.98 mm

Variation Code
X: OPTION
1: with Cap
2: without Cap

Packing Code
X: OPTION
1: Tray
2: Tape & Reel

Part Number Example: G40H 3 X X X X X X X X - X



- NOTES:
- INSULATOR: HIGH TEMPERATURE THERMOPLASTIC UL94V-0. COLOR: BLACK
 - TERMINAL: COPPER ALLOY
CONTACT AREA: OPTION
TAIL AREA: OPTION
UNDER PLATING: NICKEL 100u" MIN.
 - THIS PRODUCT DOESN'T CONTAIN ENVIRONMENTAL HAZARDOUS PER DIRECTIVE 2011/65/EUC FOR RoHS AND PER IEC 61249-2-21 FOR HALOGEN-FREE COMPLIANT.

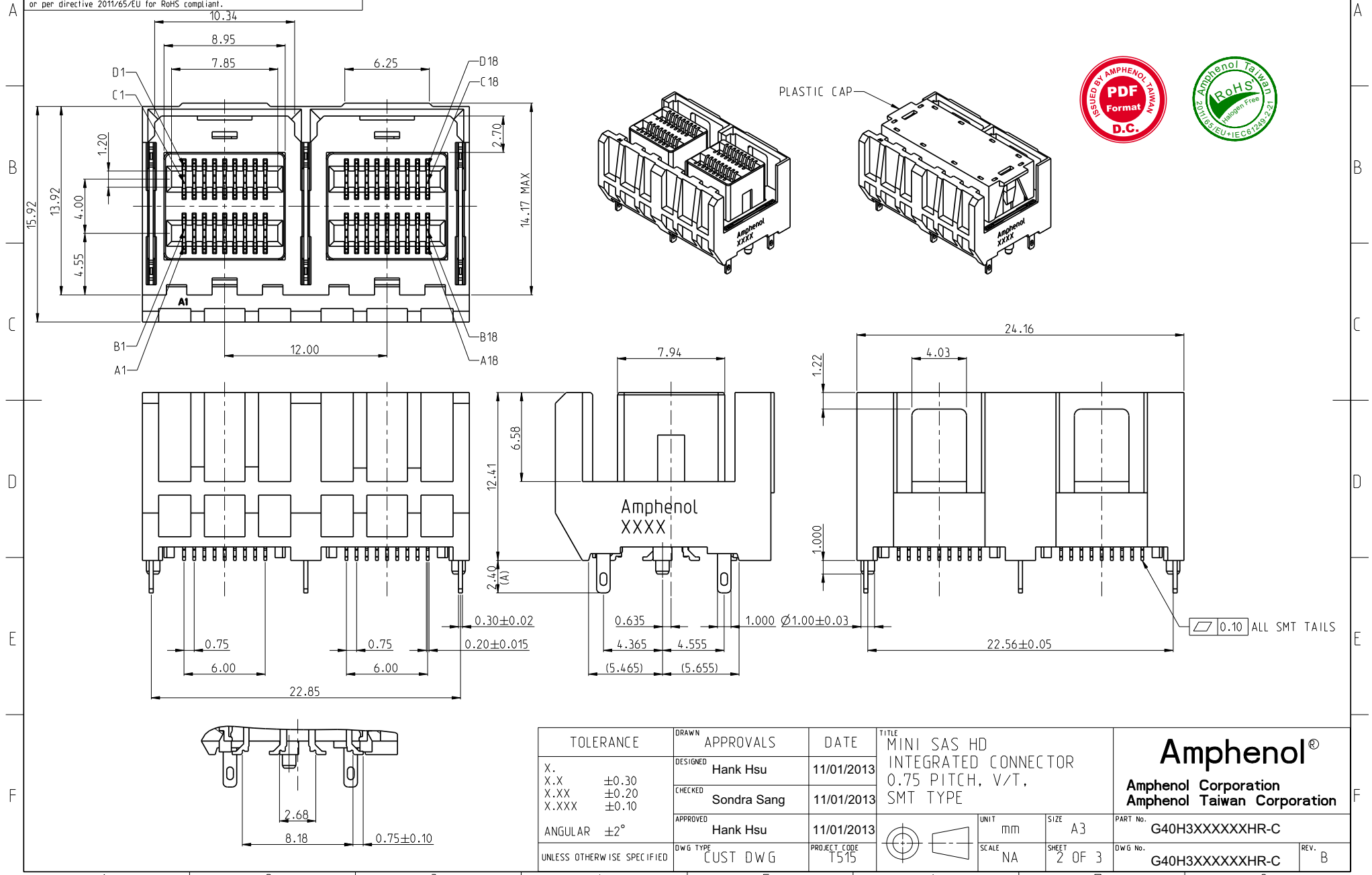
TOLERANCE	DRAWN	APPROVALS	DATE	TITLE	Amphenol® Amphenol Corporation Amphenol Taiwan Corporation			
X. X.X ±0.30 X.XX ±0.20 X.XXX ±0.10	DESIGNED	Hank Hsu	11/01/2013	MINI SAS HD INTEGRATED CONNECTOR 0.75 PITCH, V/T, SMT TYPE	UNIT	mm	SIZE	A3
	CHECKED	Sondra Sang	11/01/2013					
	APPROVED	Hank Hsu	11/01/2013					
ANGULAR ±2°	DWG TYPE	CUST DWG	PROJECT CODE	1515	SCALE	NA	SHEET	1 OF 3
UNLESS OTHERWISE SPECIFIED								
					PART No.	G40H3XXXXXXHR-C		
					DWG No.	G40H3XXXXXXHR-C		
					REV.	B		

ORIGINAL

REVISIONS				
SYM	ECN No.	DESCRIPTION	DATE	BY
A	NE-13127	RELEASE	08/09/2013	HANK HSU
B	NE-13177	MODIFIED LEAD-IN CHAMFER	11/01/2013	HANK HSU

This document is the property of Amphenol Corporation and is delivered on the express condition that it is not to be disclosed, reproduced or used, in whole or in part, for manufacture or sale by anyone other than Amphenol Corporation without its prior consent, and that no right is granted to disclose or to use any information in this document.

The marking on this product doesn't contain environmental hazardous materials per Material Specification SS-00259 for Sony GP compliant or per directive 2011/65/EU for RoHS compliant.



TOLERANCE	DRAWN	APPROVALS	DATE	TITLE
X.				MINI SAS HD
X.X	±0.30	DESIGNED Hank Hsu	11/01/2013	INTEGRATED CONNECTOR
X.XX	±0.20	CHECKED Sondra Sang	11/01/2013	0.75 PITCH, V/T,
X.XXX	±0.10	APPROVED Hank Hsu	11/01/2013	SMT TYPE
ANGULAR	±2°	DWG TYPE CUST DWG	PROJECT CODE 1515	
UNLESS OTHERWISE SPECIFIED				

		Amphenol® Amphenol Corporation Amphenol Taiwan Corporation	
		PART No. G40H3XXXXXXHR-C	REV. B

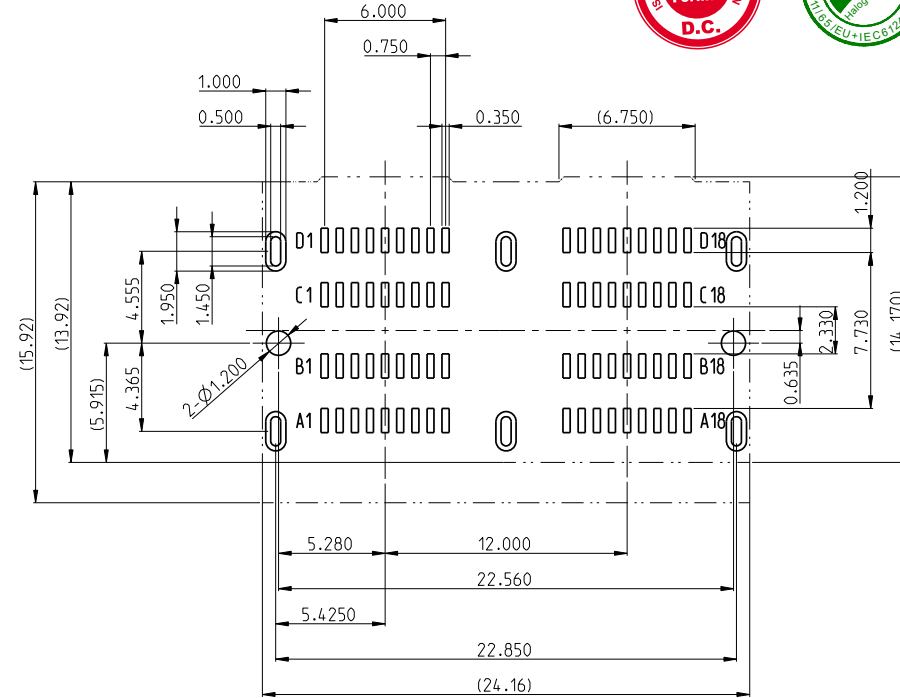
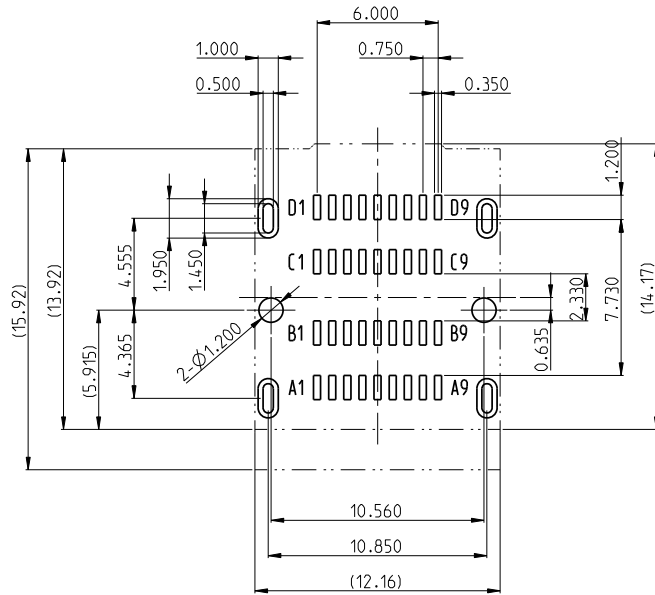
	UNIT mm SCALE NA	SIZE A3 SHEET 2 OF 3
--	---------------------	-------------------------

ORIGINAL

REVISIONS				
SYM	ECN No.	DESCRIPTION	DATE	BY
A	NE-13127	RELEASE	08/09/2013	HANK HSU
B	NE-13177	MODIFIED LEAD-IN CHAMFER	11/01/2013	HANK HSU

This document is the property of Amphenol Corporation and is delivered on the express condition that it is not to be disclosed, reproduced or used, in whole or in part, for manufacture or sale by anyone other than Amphenol Corporation without its prior consent, and that no right is granted to disclose or to use any information in this document.

The marking on this product doesn't contain environmental hazardous materials per Material Specification SS-00259 for Sony GP compliant or per directive 2011/65/EU for RoHS compliant.



NOTES:

1. RECOMMENDED PCB HOLE Ø1.20 IS NPTH FOR ORIENTATION POST.
2. RECOMMENDED PCB ELLIPTICAL HOLE 0.5X1.45 IS PTH FOR BOARD-LOCK.
3. MINIMUM PCB THICKNESS: 1.57MM
4. PIN ASSIGNMENTS PLEASE REFER TO SERIAL ATTACHED SCSI-3 (SAS-3) STANDARD.

TOLERANCE	DRAWN	APPROVALS	DATE	TITLE		Amphenol®			
X.		DESIGNED	Hank Hsu	11/01/2013	MINI SAS HD INTEGRATED CONNECTOR 0.75 PITCH, V/T, SMT TYPE		Amphenol Corporation Amphenol Taiwan Corporation		
X.X ±0.30		CHECKED	Sondra Sang	11/01/2013					
X.XX ±0.20		APPROVED	Hank Hsu	11/01/2013	UNIT	mm	SIZE	A3	
X.XXX ±0.10		DWG TYPE	CUST DWG	PROJECT CODE	1515	SCALE	NA	SHEET	3 OF 3
ANGULAR ±2°		UNLESS OTHERWISE SPECIFIED		PART No.		G40H3XXXXXXHR-C			
				DWG No.		G40H3XXXXXXHR-C			
				REV.		B			