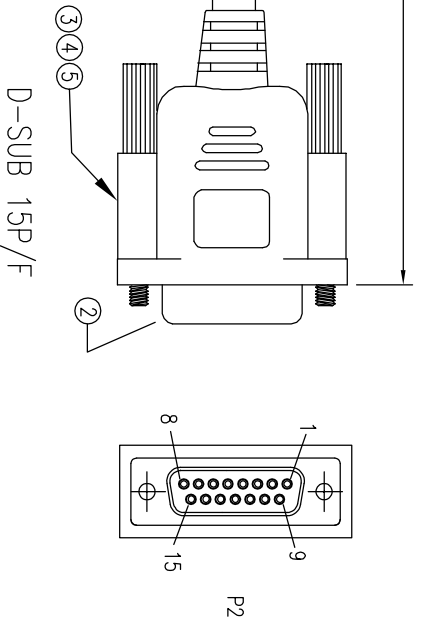
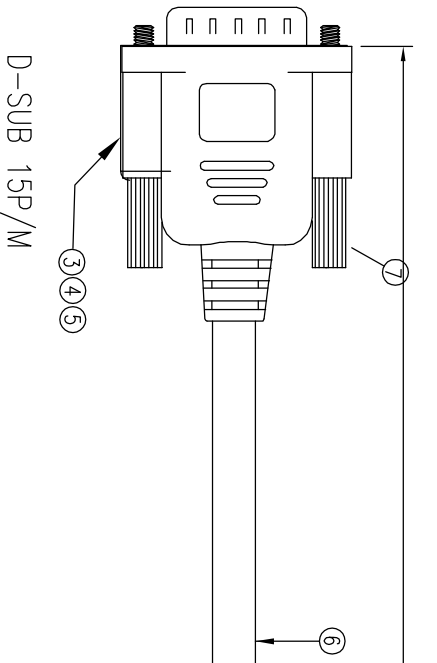
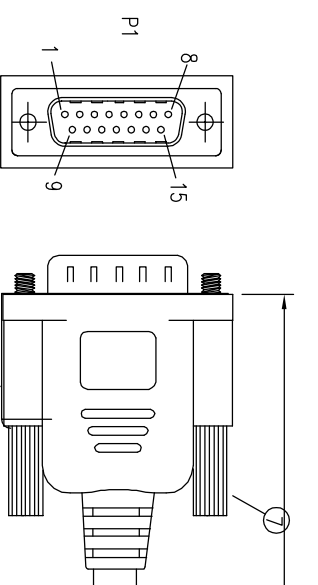


ROHS



PIN ASSIGNMENT

P1	P2
1	1
2	2
3	3
4	4
5	5
6	6
7	7
8	8
9	9
10	10
11	11
12	12
13	13
14	14
15	15
Shell	Shell

NOTES:

1. ELECTRICAL TEST: 100% OPEN, SHORT & MISS WIRE TEST.
2. CONDUCTOR RESISTANCE: 5 OHMS MAX.
3. INSULATOR RESISTANCE: 1M OHMS MIN, DC 300V 0.01sec.
4. THIS PRODUCT MEET ROHS STANDARD ENVIRONMENTAL PROTECTION POLICY.

7	SCREW	SCREW 4-40# Ni	4PCS
6	CABLE	UL2464 28AWG*7P+28AWG*1C+AED PVC JACKET COLDR:GERY DD=7.5mm	1PCS
5	COPPER FOIL	COPPER FOIL W=25MM	NA
4	OVERMOLD	45P PVC COLDR: BLACK	NA
3	MOLD	PE	NA
2	CONNECTOR	D-SUB 15Pin Female Solder Black	1PCS
1	CONNECTOR	D-SUB 15Pin Male Solder Black	1PCS
ITEM	PART NAME	DESCRIPTION	QTY

QUALITY SYMBOLS

□: MAJOR

△: CRITICAL

▽: ZERO DEFECT

S.P.C

Tolerance

Rt(CM)	公差(CM)
30~200	±10
201~500	±20
501~	±30

NAME: D-SUB 15P Male To 15P Female Cable

REV: A

SCALE: NONE

DATE: 2018/05/24

JACK CHEN

PART NO. A05-01531XXX-01

CHK BY KING ZHOU

APP BY

DRAWING NO. A05-015

东莞市箐国电子有限公司

NO.	DATE	DESCRIPTION	APPROVER
A	2018/05/24	新版发行	JACK CHEN
8			