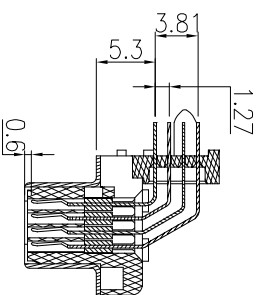
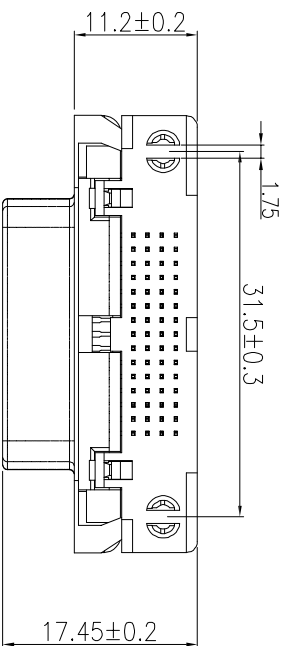


1. ELECTRICAL CHARACTERISTICS

- 1.1 Voltage: 40 VAC RMS.
- 1.2 Current: 1.0 Amps at 30 °C temperature rise.
- 1.3 Initial Contact Interface resistance: 10 milliohms max.
- 1.4 Dielectric Strength: 500 VRMS for 1 minute.
- 1.5 Insulation Resistance: 100 Mohms minimum after 500 VDC for 1 minute.
- 1.6 Operating Temperature: -20°+85°



2. MECHANICAL CHARACTERISTICS:

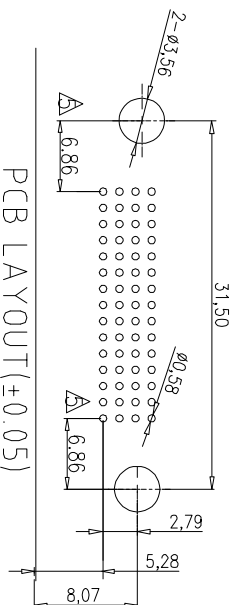
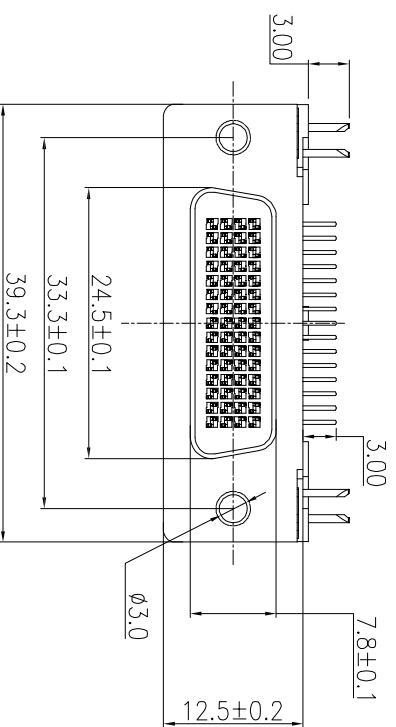
- 2.1 contact insertion Force: 60g max
- 2.2 contact Separation Force: 10g min
- 2.3 Durability: Min 100 mating cycles

3. MATERIALS:

- 3.1 Contact Material: Phosphor Brass or Brass
- 3.2 Insulator Material: UL94-V0 LCP
- 3.3 Shell Material: Coils Roller Steel

4. FINISHES:

- 4.1 Contact Finish: Au G/F,
- 4.2 Shell Finish: 80~100u" Bright Tin Plated



PCB LAYOUT (±0.05)

NAME: LFH 60P Female Connector R/A Type PART NO. B04-06041AN-01

REV:	A	UNIT:	mm	DRW BY	CHK BY	APP BY	DRAWING NO.
SCALE:	N:1	DATE:	2018/03/11	Huangrnei	Jack Chen		B04-060

QUALITY SYMBOLS

- : MAJOR
- ⊠: CRITICAL
- ∇: S.P.C

Tolerance

- x: ±0.60
- x: ±0.40
- xx: ±0.25

APPROVER: Jack Chen

DATE: 2018/03/11


东莞市箐国电子有限公司
 www.KinKuo.com

DESCRIPTION: NEW ISSUE

DATE: 2018/03/11

SIDE: 8

DATE: 2018/03/11

DESCRIPTION: NEW ISSUE

APPROVER: Jack Chen

DATE: 2018/03/11

SIDE: 8