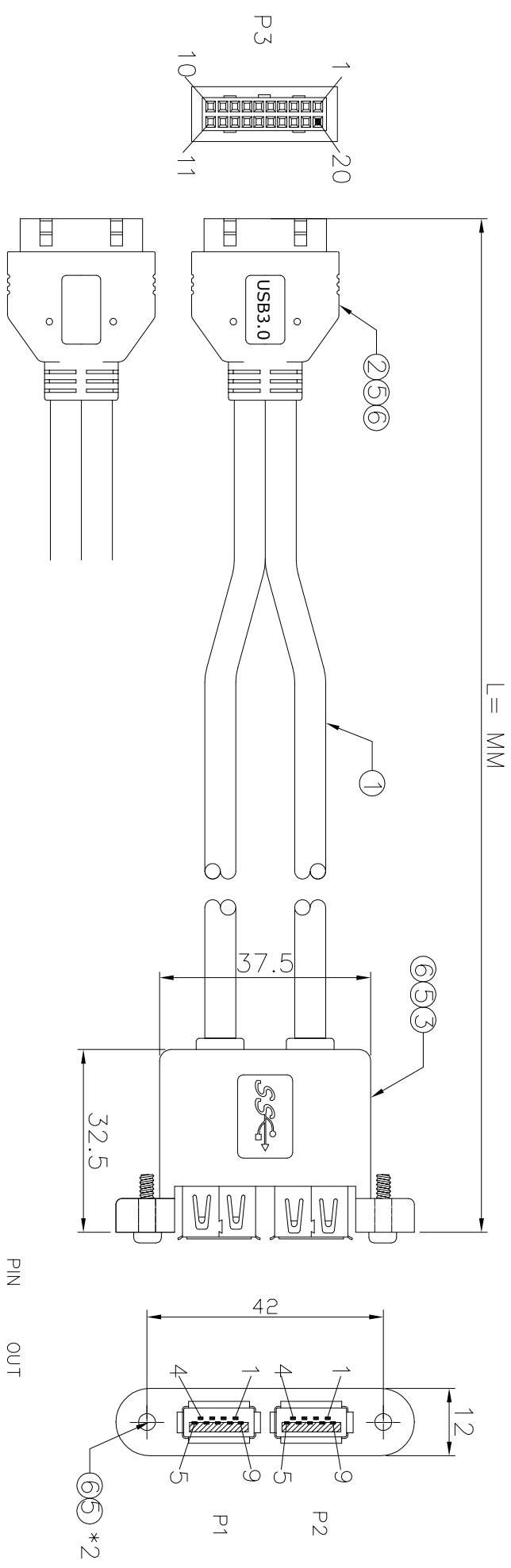


REV:	DESCRIPTION	DATE
△		
△		

**RoHS**



- NOTE:**
1. 100% OPEN & SHORT WIRE TEST;
  2. CONTACT RESISTANCE 2ohm Max;
  3. INSULATION RESISTANCE 10M ohm Min;
  4. HI-POT DC 300V;

6	PVC 45P BLACK/BLUE	15G		
5	PE	15G		
5	SCREW 5*10MM #4-40UNC/M3 Plated Ni	2PCS		
4	NUT 4.75*2MM #4-40UNC/M3 Plated Ni	2PCS		
3	USB(3.0)AF Color Blue Au G/F	2PCS		
2	USB(3.0) IDC 20P Color Blue Au G/F	1PCS		
1	UL20276(USB3.0)(1P#28+AE)*2+2C#24+1P#28+AEB(AL) OD:5.5MM BLACK/BLUE L:XX MM	2PCS		
NO.	MATERIAL.P/N	DESCRIPTION	Q'TY	VENDOR

(RED)	1	_____	P1	_____	P3	_____	P3	_____	P2	(RED)
(WHITE)	2	_____		_____		_____		_____		(WHITE)
(GREEN)	3	_____		_____		_____		_____		(GREEN)
(BLACK)	4	_____		_____		_____		_____		(BLACK)
(BLUE)	5	_____		_____		_____		_____		(BLUE)
(YELLOW)	6	_____		_____		_____		_____		(YELLOW)
(PURPLE)	7	_____		_____		_____		_____		(PURPLE)
(ORANGE)	8	_____		_____		_____		_____		(ORANGE)
(DRAIN) SHELL	9	_____		_____		_____		_____		(DRAIN)
	10	_____		_____		_____		_____		SHELL (DRAIN)

**东莞市箐国电子有限公司**

UNLESS OTHERWISE SPECIFIED		TOLERANCE	
X.XX ±		ANGLES ±	
DRAWN:		DESCRIPTION:	
CHECKED:		USB 3.0 IDC 20P to USB 3.0 AFx2 (带螺丝)	
APPROVED:		CUSTOMER P/N:	
		LKU30IDAF02-XXM	
		PRODUCT NO.:	
		DWG NO: 20200514-15	
		REV: X/0	
		UNIT: mm	
		SCALE: NONE	
		SHEET: 1 of 1	
		DATE: 20.05.14	