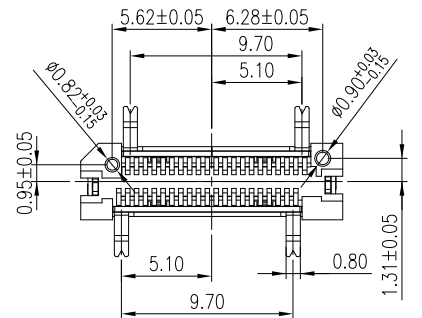
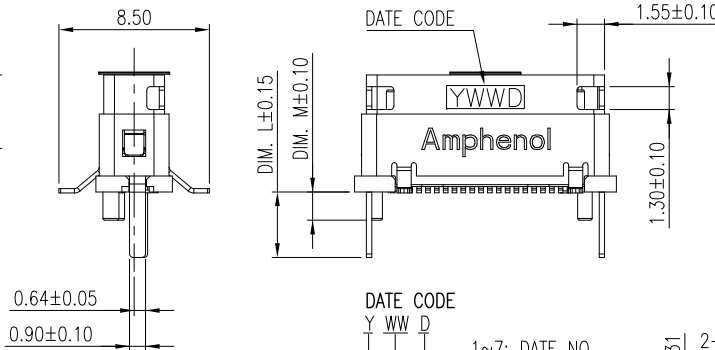
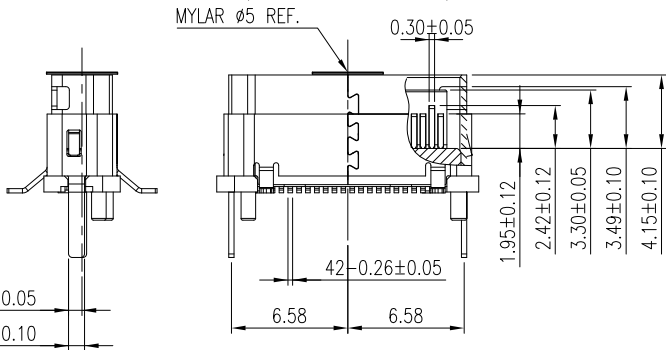
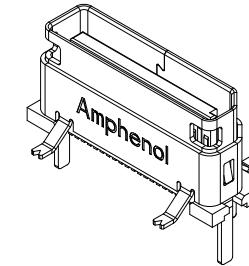
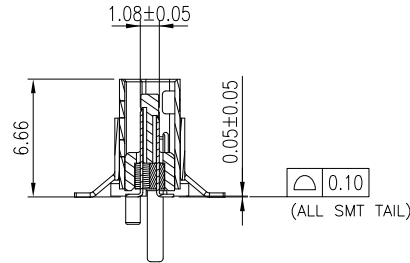
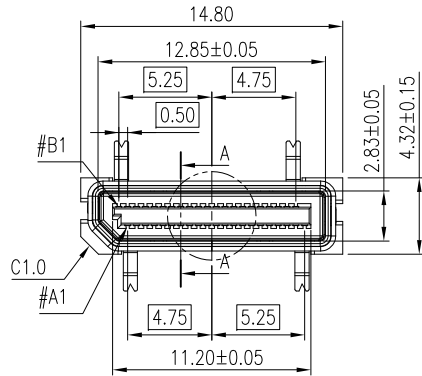


This document is the property of Amphenol Corporation and is delivered on the express condition that is not to be disclosed, reproduced or used, in whole or in part, for manufacture or sale by anyone other than Amphenol Corporation without its prior consent, and that no right is granted to disclose or to use any information in this document.

The marking on this product doesn't contain environmental hazardous material and must follow one or more specifications per Material Specification SS-00259 for Sony GP compliant or per directive 2011/65/EC for RoHS compliant or per IEC 61249-2-21 for Halogen Free compliant.

REVISIONS				
SYM	ECN No.	DESCRIPTION	DATE	BY
AX1		INITIAL RELEASE	04/16/2015	Sondra Sang
AX2		MODIFIED DRAWING	04/20/2015	Sondra Sang
AX3		MODIFIED DRAWING	07/10/2015	Sondra Sang
AX4		MODIFIED DRAWING	07/28/2015	Sondra Sang
AX5		MODIFIED DRAWING	08/10/2015	Sondra Sang
AX6		MODIFIED DRAWING	08/11/2015	Sondra Sang
AX7		ADDED DRAWING	10/06/2015	Sondra Sang
AX8		MODIFIED PCB LAYOUT	11/25/2015	Sondra Sang
AX9		ADDED MYLAR & DATE CODE	01/12/2016	Sondra Sang



PART NUMBER:
G14A 422 X 1 X X X AHR

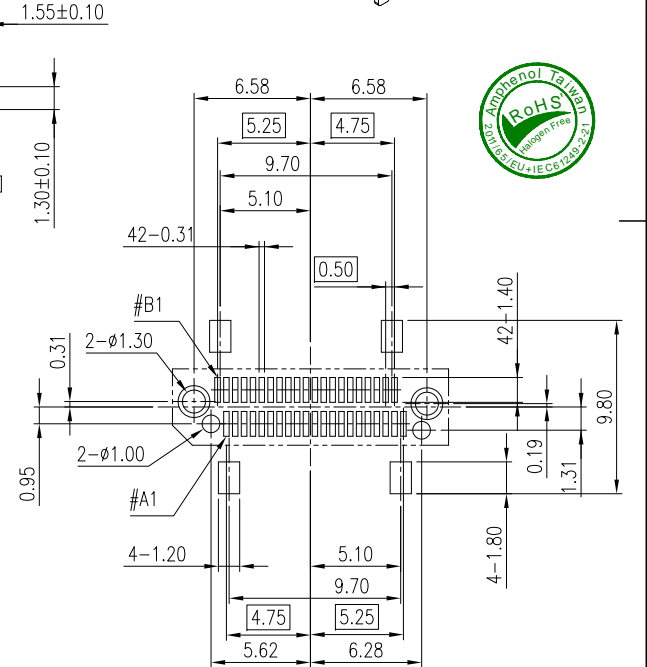
CONTACT FINISH
0: GOLD FLASH
1: 15µ" GOLD
2: 30µ" GOLD

PACKING METHOD
1: TRAY
2: TAPE & REEL (STANDARD)

SHELL OPTIONAL
2: DIP, L=0.8mm, M=0.6mm
5: DIP, L=2.1mm, M=1.6mm (for PCB 1.6mm)
6: DIP, L=2.9mm, M=1.6mm (for PCB 2.4mm)
7: DIP, L=3.7mm, M=1.6mm (for PCB 3.2mm)

INSULATOR OPTION
1: LCP, BLACK
3: LCP, BLUE
4: LCP, NATURAL WHITE

DATE CODE
Y WW D
1~7: DATE NO.
12: WEEK NO.
6: 2016



- NOTES:**
- HOUSING: HIGH TEMP. THERMOPLASTIC, UL 94V-0, COLOR- OPTIONAL
 - CONTACT: COPPER ALLOY, 0.15mm THICKNESS, SELECTIVE. GOLD PLATED ON CONTACT AREA, 100µ" MATTE TIN PLATED ON SOLDERING TAIL, 50µ" MIN. NICKEL UNDER-PLATED OVERALL
 - SHELL: STAINLESS STEEL, 0.30mm THICKNESS, 50µ" MIN. NICKEL PLATED ON THE SOLDERING TAILS
 - OUTER HOLD DOWN: COPPER ALLOY, 0.25mm THICKNESS, 100µ" MIN. MATTE TIN PLATED ON SOLDER TAIL; 50µ" MIN. NICKEL UNDER-PLATING OVERALL
 - THIS PRODUCT DOESN'T CONTAIN ENVIRONMENTAL HAZARDOUS MATERIALS PER DIRECTIVE 2011/65/EC FOR RoHS AND PER IEC 61249-2-21 FOR HALOGEN FREE COMPLIANT.

TOLERANCE	APPROVALS	DATE	TITLE		PART No.	
X. X.X ±0.30 X.XX ±0.20 X.XXX ±0.10	DRAWN Sondra Sang	01/12/2016	OCULINK CONNECTORS RECEPTACLE, VERTICAL SMT SHELL DIP W/ HOLD DOWN		Amphenol® Amphenol Corporation Amphenol Taiwan Corporation	
ANGULAR ±1°	CHECKED Chenny Yeh	01/12/2016	UNIT mm SCALE NA	SIZE A3 SHEET 1 OF 1	PART No. G14A 422X 1XX X AHR	
UNLESS OTHERWISE SPECIFIED	APPROVED Hank Hsu	01/12/2016			DWG No. G14A422X1XXXAHR	
	DWG TYPE CUST DWG	PROJECT CODE TXXX				