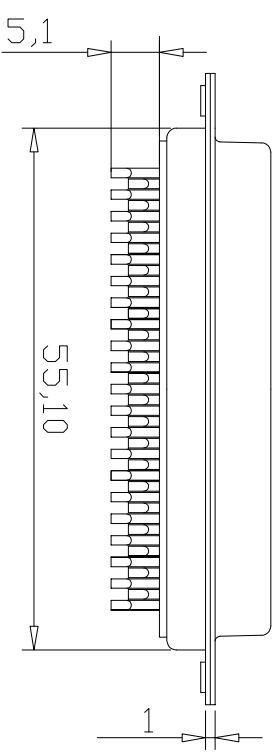
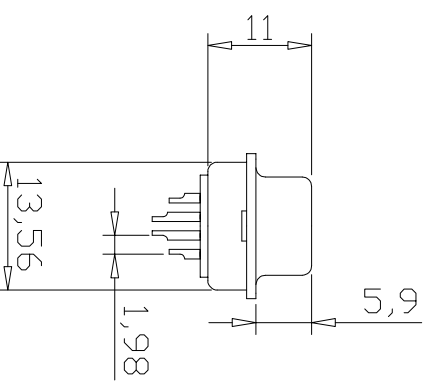
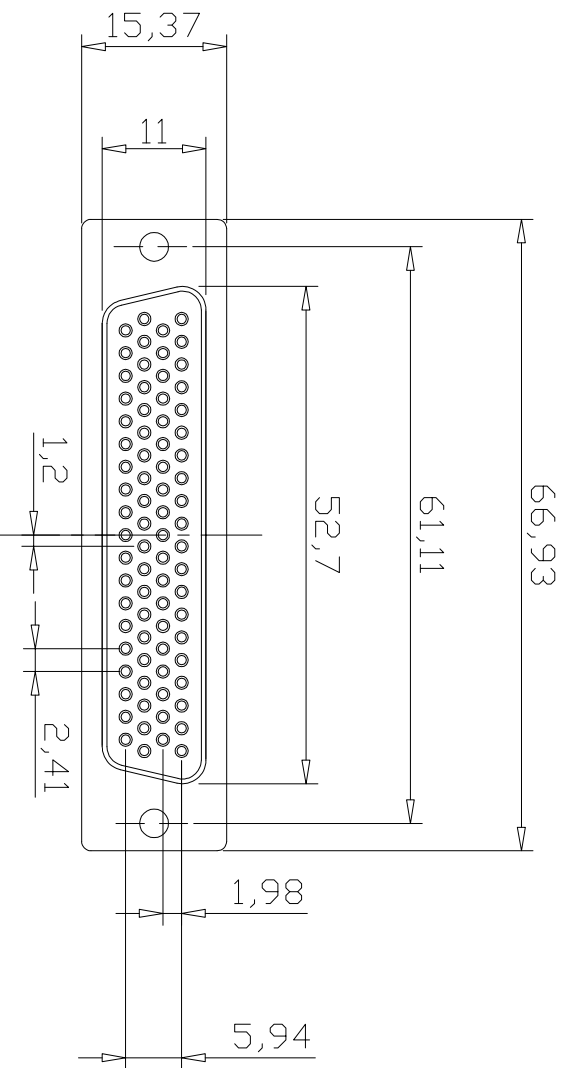


Voltage Current Rating: 3 AMP.  
 Dielectric Withstanding Voltage: 1000V AC  
 Insulation Resistance: 1000MΩ Min.  
 Temperature Range: -45°C to +85°C



PART NO: B04-0784X1AN-01  
 HOUSING COLOR:  
 1 = BLACK  
 5 = WHITE  
 6 = BLUE

4	REAR SHELL	SPCC	PALTING: Sn	
3	FRONT SHELL	SPCC	PALTING: Ni	
2	HOUSING	PBT+30%GF	COLOR: SEE PART NO.	
1	TERMINAL	COPPER ALLOY	CONTACT AREA: G/F	
			SOLDER AREA: Sn	

QUALITY SYMBOLS

Tolerance

NAME: HD-D-SUB 78P母头传统插线式

PART NO. B04-0784X1AN-01

CRITICAL

±0.50  
±0.30  
±0.25

REV: A

APP BY

MAJOR

xx

DATE: 2010/06/03

DRAWING NO. B04-009

ZERO DEFECT

±0.25

JINGLI

KING ZHOU

A	DATE	DESCRIPTION	APPROVER
8	2010/06/03	NEW ISSUE	JINGLI
7			
6			
5			
4			
3			
2			
1			

东莞市箐国电子有限公司