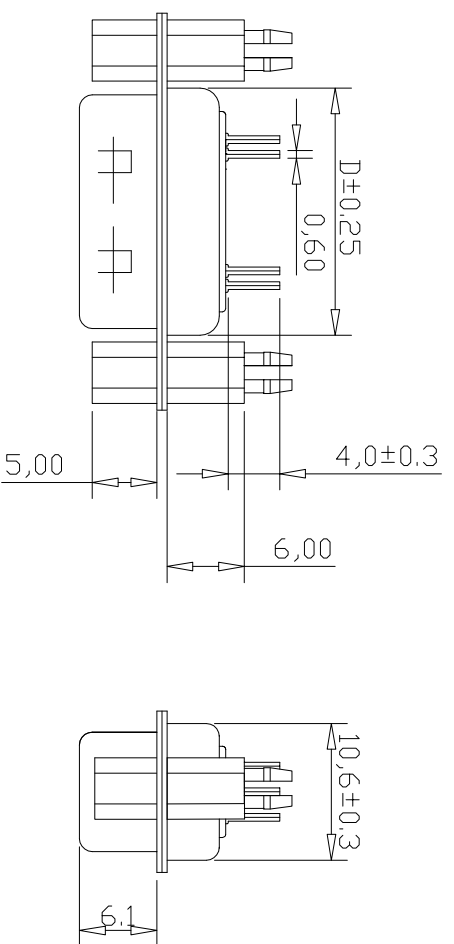


	4	3	2	1		
No. of Contact	A	B	C	D	E	F
15	16.9	25.0	30.8	19.0	2.29	7.04
26	25.3	33.3	39.2	27.7	2.29	6.88
44	39.0	47.0	53.0	41.0	2.29	6.88
62	55.4	63.5	69.4	57.3	2.41	7.00

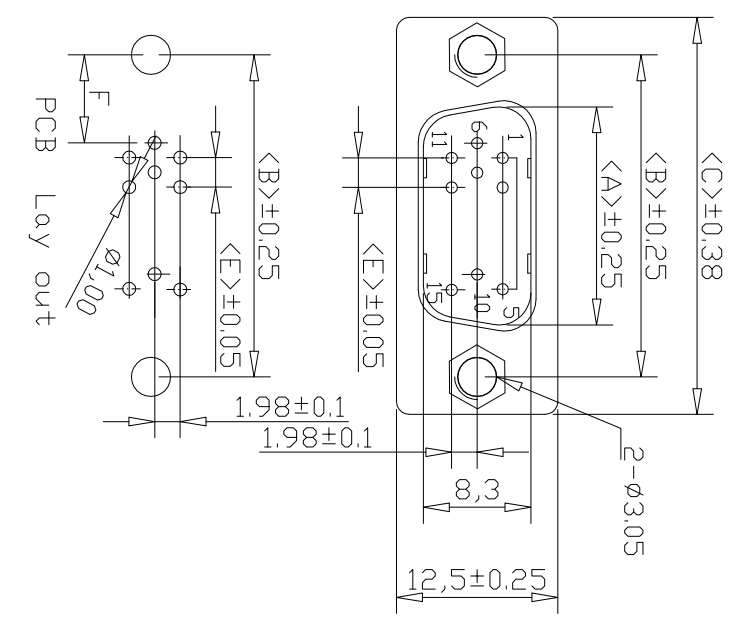


Voltage Current Rating: 5 AMP.  
 Dielectric Withstanding Voltage: 1000V AC  
 Insulation Resistance: 1000M $\Omega$  Min.  
 Temperature Range: -25°C to +85°C

PART NO: B04-0XX7X1AD-E5

NO. OF CONTACT:  
 15 = 15 pos  
 26 = 26 pos  
 44 = 44 pos  
 62 = 62 pos

HOUSING COLOR:  
 1 = BLACK  
 5 = WHITE  
 6 = BLUE



ITEM	DESC.	MATERIAL	REMARKS	PART REMARKS
6	SCREW	STEEL	PALTING: NI	
5	BOARDLOCK	COPPER ALLOY	PALTING: NI	
4	HOUSING	PBT+30%GF	COLOR: SEE PART NO.	
3	REAR SHELL	SPCC	PALTING: Sn	
2	FRONT SHELL	SPCC	PALTING: NI	
1	TERMINAL	COPPER ALLOY	CONTACT AREA: G/F SOLDER AREA: Sn UNDER-PLATING: NI	

QUALITY SYMBOLS

CRITICAL MAJOR

ZERO DEFECTS: P.C

Tolerance

±0.50  
±0.30  
±0.25

NAME: HD-D-SUB MALE 180度后脚: 0度叉前锁芯: 0mm螺母 (客户用图)

REV: A UNIT: mm

SCALE: N:1 DATE: 2014/09/02

DRW BY: JINGLI CHK BY: KING ZHOU

8	7	6	5	4	3	2	1
DATE	DESCRIPTION	APPROVER	ZERO DEFECTS: P.C	Tolerance	NAME:	REV: A	UNIT: mm
2014/09/02	NEW ISSUE	JINGLI	CRITICAL MAJOR	±0.50 ±0.30 ±0.25	HD-D-SUB MALE 180度后脚: 0度叉前锁芯: 0mm螺母 (客户用图)	N:1	DATE: 2014/09/02
SIDE				±0.50 ±0.30 ±0.25	PART NO. B04-0XX7X1AD-E5	DRW BY: JINGLI	CHK BY: KING ZHOU
				±0.50 ±0.30 ±0.25	REMARKS	APP BY:	DRAWING NO. B04-029
				±0.50 ±0.30 ±0.25	PART REMARKS		

东莞市箜国电子有限公司