

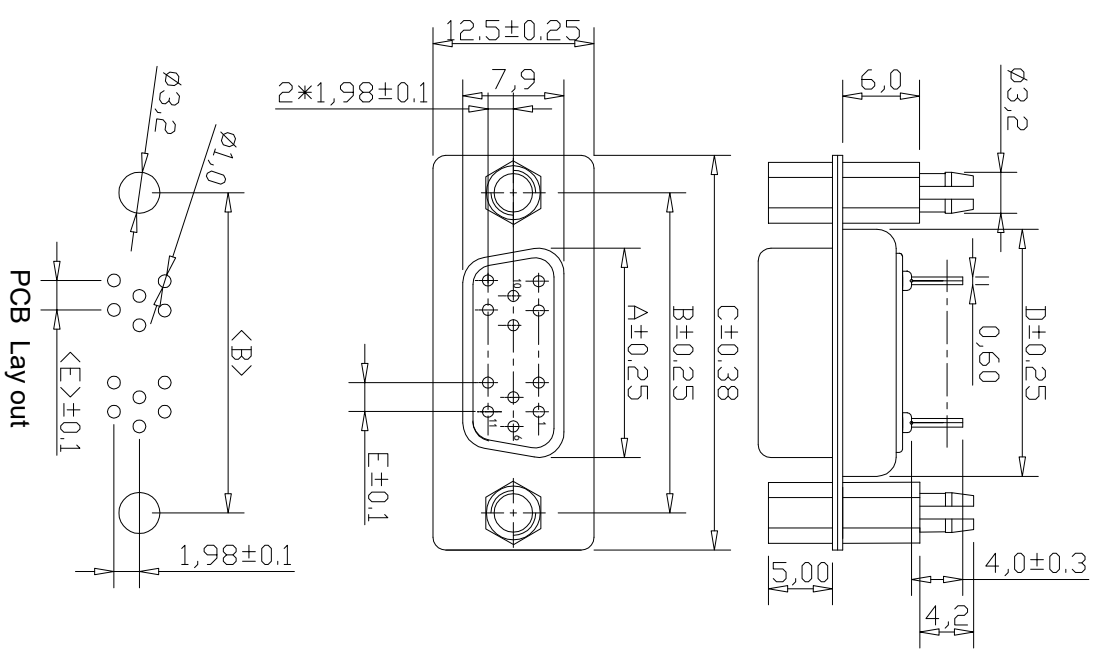
No. of Contact	A	B	C	D	E
15	16.3	25.0	30.8	19.0	2.29
26	24.8	33.3	39.1	27.7	2.29
44	38.3	47.0	53.0	41.0	2.29
62	54.8	63.5	69.3	57.3	2.41

Voltage Current Rating: 5 AMP.
 Dielectric Withstanding Voltage: 1000V AC
 Insulation Resistance: 1000M Ω Min.
 Temperature Range: -25 $^{\circ}$ C to +85 $^{\circ}$ C

PART NO: B04-0XX8X1AD-E5

NO. OF CONTACT:
 15 = 15 pos
 26 = 26 pos
 44 = 44 pos
 62 = 62 pos

HOUSING COLOR:
 1 = BLACK
 5 = WHITE
 6 = BLUE



PCB Lay out

ITEM	DESC.	MATERIAL	REMARKS	PART REMARKS
6	SCREW	STEEL	PALTING: NI	
5	BOARD LOCK	COPPER ALLOY	PALTING: NI	
4	HOUSING	PBT+30%GF	COLOR: SEE PART NO.	
3	REAR SHELL	SPCC	PALTING: Sn	
2	FRONT SHELL	SPCC	PALTING: NI	
1	TERMINAL	COPPER ALLOY	CONTACT AREA: G/F SOLDER AREA: Sn UNDER-PLATING: NI	

QUALITY SYMBOLS

Tolerance

CRITICAL MAJOR
 ZERO DEFECTS: P.C

NAME: HD-D-SUB FEMALE 180度后侧6.0组叉
 前侧5.0组螺母 (客户用图)
 REV: A
 SCALE: N:1
 DATE: 2014/09/02

ITEM	DESC.	MATERIAL	REMARKS	PART REMARKS
6	SCREW	STEEL	PALTING: NI	
5	BOARD LOCK	COPPER ALLOY	PALTING: NI	
4	HOUSING	PBT+30%GF	COLOR: SEE PART NO.	
3	REAR SHELL	SPCC	PALTING: Sn	
2	FRONT SHELL	SPCC	PALTING: NI	
1	TERMINAL	COPPER ALLOY	CONTACT AREA: G/F SOLDER AREA: Sn UNDER-PLATING: NI	

8	7	6	5	4	3	2	1
---	---	---	---	---	---	---	---

DATE	DESCRIPTION	APPROVER
2014/09/02	NEW ISSUE	JINGLI

DATE	DESCRIPTION	APPROVER	REV.	UNIT	DRW BY	CHK BY	APP BY	DRAWING NO.
2014/09/02	NEW ISSUE	JINGLI	A	mm				B04-030

东莞市箐国电子有限公司