

66,93

61,11

54.3

15,37

12,22

1,2

2,41

1,98

5,94

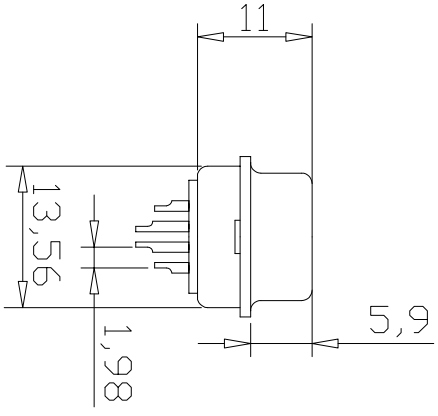
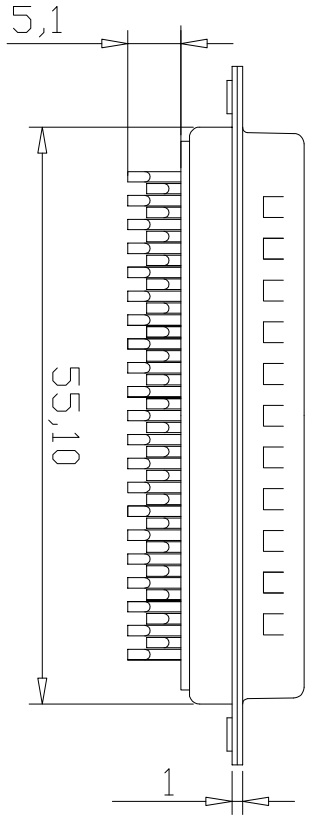
Voltage Current Rating: 3 AMP.
 Dielectric Withstanding Voltage: 1000V AC
 Insulation Resistance: 1000MΩ Min.
 Temperature Range: -45°C to +85°C

PART NO:

B04-0783X14N-02

HOUSING COLOR:

- 1 = BLACK
- 5 = WHITE



4	REAR SHELL	SPCC	PALTING: Sn	
3	FRONT SHELL	SPCC	PALTING: Ni	
2	HOUSING	PBT+30%GF	COLOR: SEE PART NO.	
1	TERMINAL	COPPER ALLOY	CONTACT AREA: G/F	
ITEM		MATERIAL	SOLDER AREA: Sn	PART REMARKS

QUALITY SYMBOLS

□ : CRITICAL
 ✕ : MAJOR

▽ : ZERO DEFECT
 ▽ : S.P.C

Tolerance

X.	±0.50
.X	±0.30
.XX	±0.25

NAME:

HD-D-SUB 78P公头焊线式(车针)

REV:

A

SCALE:

N:1

UNIT:

mm

DRW BY:

JINGLI

CHK BY:

KING ZHOU

PART NO.:

B04-0783X14N-02

APP BY:

DRAWING NO.:

B04-007

8	7	6	5	4	3	2	1
---	---	---	---	---	---	---	---

A	DATE	DESCRIPTION	APPROVER	QUALITY SYMBOLS	Tolerance	NAME:	REV:	SCALE:	UNIT:	DRW BY:	CHK BY:	PART NO.:	APP BY:	DRAWING NO.:
8	2010/06/03	NEW ISSUE	JINGLI	□ : <input type="checkbox"/> CRITICAL ✕ : <input checked="" type="checkbox"/> MAJOR ▽ : <input type="checkbox"/> ZERO DEFECT ▽ : <input type="checkbox"/> S.P.C	X. ±0.50 .X ±0.30 .XX ±0.25	HD-D-SUB 78P公头焊线式(车针)	A	N:1	mm	JINGLI	KING ZHOU	B04-0783X14N-02		B04-007

8	7	6	5	4	3	2	1
---	---	---	---	---	---	---	---

东莞市箐国电子有限公司