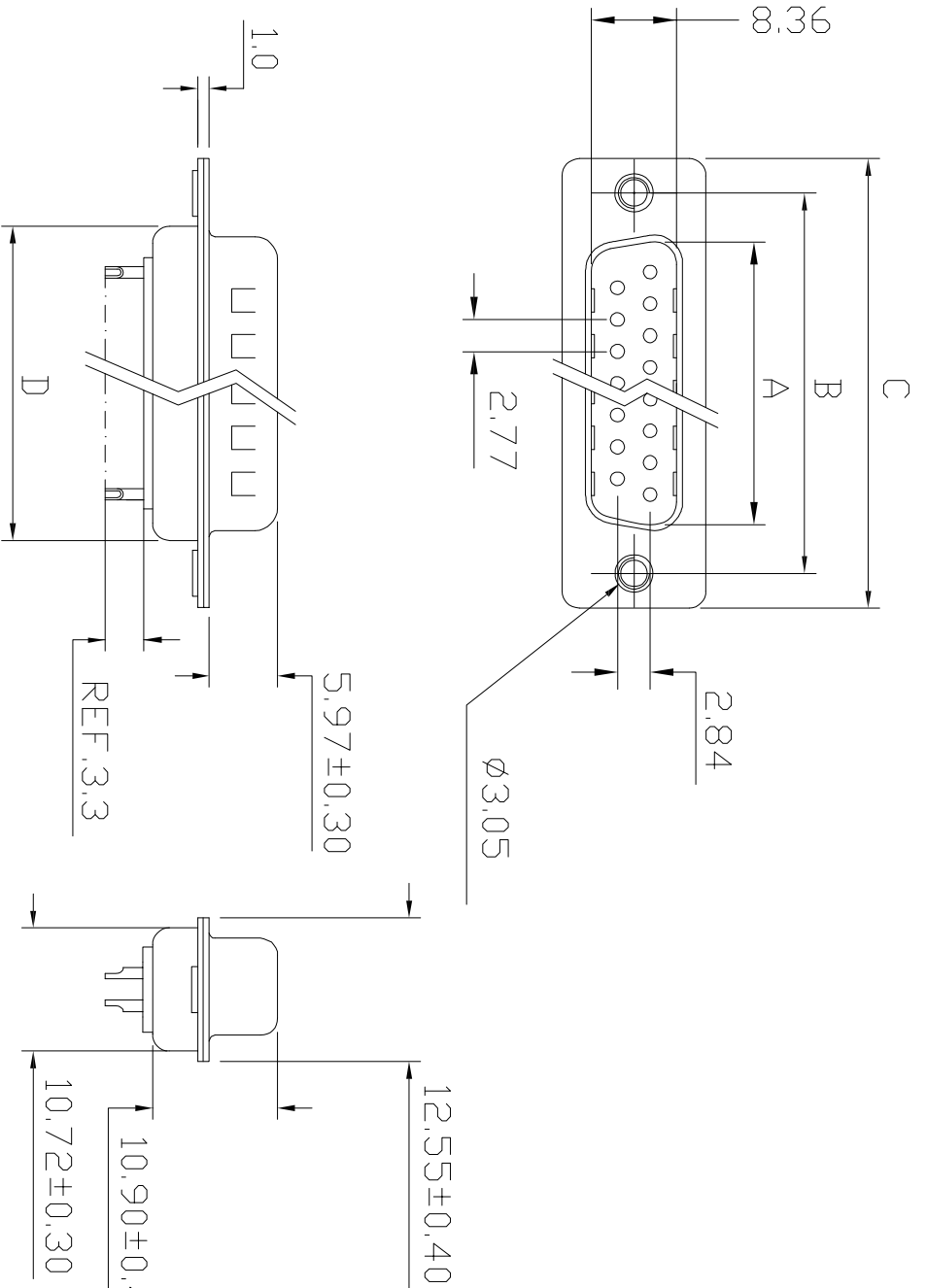


No. of Contact	A	B	C	D
09	16.9	25.0	30.8	19.3
15	25.2	33.3	39.1	27.5
25	39.0	47.0	53.0	41.3
37	55.4	63.5	69.3	57.7

Voltage Current Rating: 5 AMP.
 Dielectric Withstanding Voltage: 1000V AC
 Insulation Resistance: 1000M Ω Min.
 Temperature Range: -25 $^{\circ}$ C to +85 $^{\circ}$ C

PART NO: B05-0XXX3XIAN-01
 NO. OF CONTACT: 9 pos
 15 = 15 pos
 25 = 25 pos
 37 = 37 pos

HOUSING COLOR:
 1 = BLACK
 5 = WHITE
 6 = BLUE



ITEM	DESC.	MATERIAL	REMARKS	PART REMARKS
4	REAR SHELL	SPCC	PALTING: Sn	
3	FRONT SHELL	SPCC	PALTING: Ni	
2	HOUSING	PBT+30%GF	COLOR: SEE PART NO.	
1	TERMINAL	COPPER ALLOY	CONTACT AREA: G/F	
			SOLDER AREA: Sn	

QUALITY SYMBOLS	Tolerance	NAME:	D-SUB	公头/母头/插孔	PART NO.	B05-0XXX3XIAN-01	PART REMARKS
☐: CRITICAL	X: ±0.50	REV: A					
☒: MAJOR	.X: ±0.30	SCALE: N:1					
∇: ZERO DEFECT	.XX: ±0.25	DATE: 2009/05/26					

A		B		C		D		E		F	
DATE	2009/05/26	DESCRIPTION	NEW ISSUE	APPROVER	JINGLI	ZERO DEFECT	S.P.C	Tolerance	X: ±0.50	REV:	A
SIDE	8	DATE	2009/05/26	DESCRIPTION	NEW ISSUE	APPROVER	JINGLI	ZERO DEFECT	.X: ±0.30	SCALE:	N:1
	7	DATE	2009/05/26	DESCRIPTION	NEW ISSUE	APPROVER	JINGLI	ZERO DEFECT	.XX: ±0.25	DATE:	2009/05/26
东莞市箐国电子有限公司											
	6	DATE	2009/05/26	DESCRIPTION	NEW ISSUE	APPROVER	JINGLI	ZERO DEFECT		DRW BY	KING ZHOU
	5	DATE	2009/05/26	DESCRIPTION	NEW ISSUE	APPROVER	JINGLI	ZERO DEFECT		CHK BY	
	4	DATE	2009/05/26	DESCRIPTION	NEW ISSUE	APPROVER	JINGLI	ZERO DEFECT		APP BY	
	3	DATE	2009/05/26	DESCRIPTION	NEW ISSUE	APPROVER	JINGLI	ZERO DEFECT		DRAWING NO.	B05-016
	2	DATE	2009/05/26	DESCRIPTION	NEW ISSUE	APPROVER	JINGLI	ZERO DEFECT			
	1	DATE	2009/05/26	DESCRIPTION	NEW ISSUE	APPROVER	JINGLI	ZERO DEFECT			