

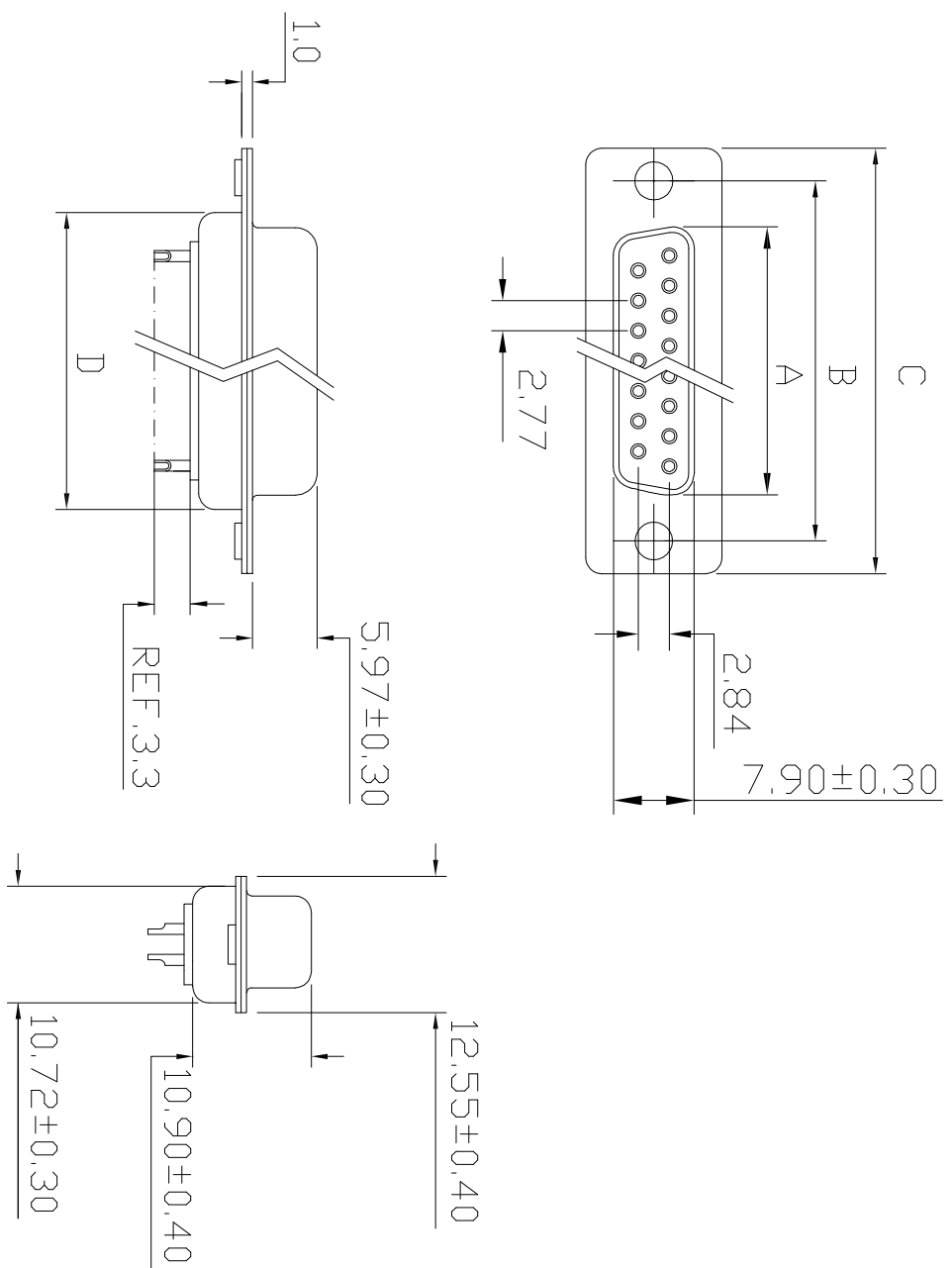
No. of Contact	A	B	C	D
09	16.3	25.0	30.8	19.3
15	24.6	33.3	39.1	27.5
25	36.3	47.0	53.0	41.3
37	54.8	63.5	69.3	57.7

Voltage Current Rating: 5 AMP.  
 Dielectric Withstanding Voltage: 1000V AC  
 Insulation Resistance: 1000MΩ Min.  
 Temperature Range: -25°C to +85°C

PART NO: B05-0XX4X1AN-01

NO. OF CONTACT:  
 09 = 9 pos  
 15 = 15 pos  
 25 = 25 pos  
 37 = 37 pos

HOUSING COLOR:  
 1 = BLACK  
 5 = WHITE  
 6 = BLUE



ITEM	DESC.	MATERIAL	REMARKS	PART REMARKS
4	REAR SHELL	SPCC	PALTING: Sn	
3	FRONT SHELL	SPCC	PALTING: Ni	
2	HOUSING	PBT+30%GF	COLOR: SEE PART NO. CONTACT AREA: G/F	
1	TERMINAL	COPPER ALLOY	SOLDER AREA: Sn	

QUALITY SYMBOLS

□ :  
 CRITICAL  
 MAJOR

☒ :  
 MAJOR  
 S.P.C

▽ :  
 ZERO DEFECT

Tolerance

X	±0.50
.X	±0.30
.XX	±0.25

NAME:	D-sub Female Solder Type				PART NO.	B05-0XX4X1AN-01
REV:	A	UNIT:	mm	DRW BY	CHK BY	APP BY
SCALE:	N:1	DATE:	2009/04/14	JINGLI	KING ZHOU	
<b>东莞市箐国电子有限公司</b>						
DRAWING NO.	B05-018					

8	7	6	5	4	3	2	1
DATE	DESCRIPTION	APPROVER	ZERO DEFECT	S.P.C			
2009/04/14	NEW ISSUE	JINGLI					
SIDE							