

**NOTES:**

**• ELECTRICAL CHARACTERISTICS**

Contact Current Rating: 1 Amp  
 Dielectric Withstanding Voltage: 500V AC  
 Insulation Resistance: 500MΩ/Min  
 Contact Resistance: 35mΩ/Max  
 Operation Temperature: -55°C ~ +105°C

PART NO: B02-03611E0-X0

WIRE HOLDER:  
 28AWG or 30AWG WIRE  
 6 = 0.62mm  
 7 = 0.75mm  
 9 = 0.90mm

4	COVER	PBT+30%G.F. (UL 94V-0)	COLOR: BLACK
3	HOUSING	PBT+30%G.F. (UL 94V-0)	COLOR: BLACK
2	SHELL	SPCC (t=0.50mm)	Ni Plating
1	TERMINAL	PHOSPHOR BRONZE(t=0.25mm)	CONTACT AREA: Au G/F SOLDER AREA: Sn 100U" UNDER-PLATING: Ni 50U"

**QUALITY SYMBOLS**

□ :  
 ⊠ :  
 ∇ :  
 ∇ :  
 ∇ :  
 ∇ :

CRITICAL  
 MAJOR  
 ZERO DEFECT  
 S.P.C

**Tolerance**

Ⓧ :  
 Ⓧ :  
 .xx

NAME: SCS-1I 36P MALE IDC TYPE

REV: A  
 UNIT: mm

SCALE: N:1  
 DATE: 2017/01/14

PART NO: B02-03611E0-X0

DRW BY: KING HU  
 CHK BY: KING HU

DRAWING NO: A/3-011

**东莞市箐国电子有限公司**

8  
 DATE

7  
 DESCRIPTION

6  
 APPROVER

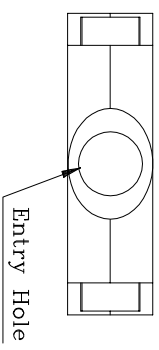
5  
 ZERO DEFECT  
 S.P.C

4  
 TOLERANCE

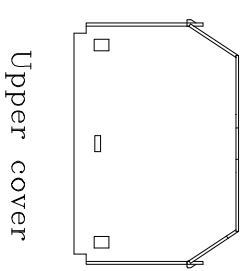
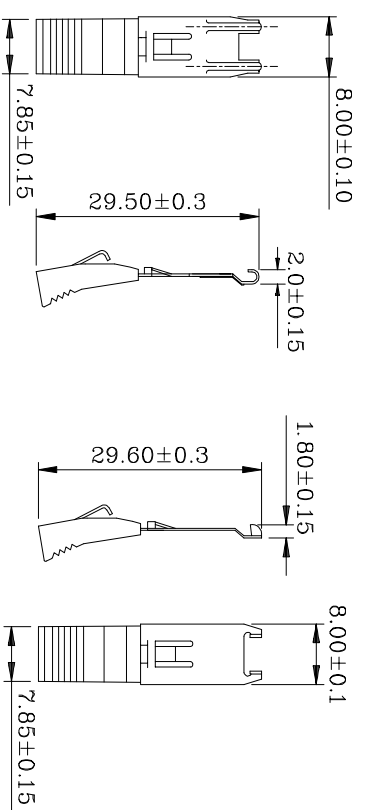
3  
 SCALE

2  
 DATE

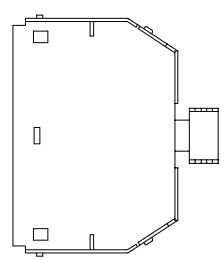
1  
 DRAWING NO



Entry Hole



Upper cover



Lower cover

• PART NO.:

B02-036NX1NX-X1

COLOR:

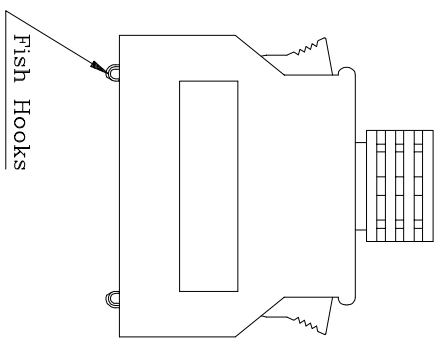
- 1:Black
- 2:Grey

THREADS FINISHES:

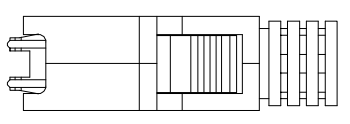
- 1:Flag hooks
- 2:Fish hooks

ENTRY HOLE SIZES:

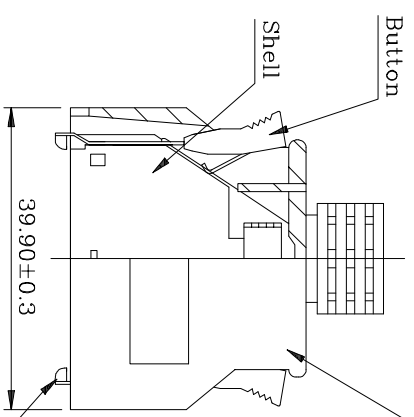
- 7:7.0
- 8:8.0
- 9:9.0



Fish Hooks



Button



Plastic Hood

Shell

Flag Hooks

$39.90 \pm 0.3$

4	INNER SHELL	STEEL	PLATING: NI
3	LATCH	STAINLESS STEEL	
2	LATCH COVER	ABS UL94V-0	COLOR: SEE PART NO.
1	HOOD	ABS UL94V-0	COLOR: SEE PART NO.
ITEM	DESC.	MATERIAL	REMARKS
			PART REMARKS

QUALITY SYMBOLS

□:      ✕:

CRITICAL      MAJOR

∇:      ∇:

ZERO DEFECT      S.P.C

Tolerance	NAME: SCS1-II 36P Male Abs Hood Latch Type	PART NO. B02-036NX1NX-X1
x: $\pm 0.80$	REV: A	UNIT: mm
x: $\pm 0.50$	SCALE: N:1	DATE: 2011/04/13
.xx: $\pm 0.30$	DRW BY: JACK CHEN	CHK BY: DEAN FAN

A	2011/04/13 新版发行	King Zhou
△		
△		
△		
SIDE	DESCRIPTION	APPROVER
8	DATE	7

8	7	6	5	4	3	2	1
---	---	---	---	---	---	---	---

东莞市箐国电子有限公司

DRAWING NO. B02-040