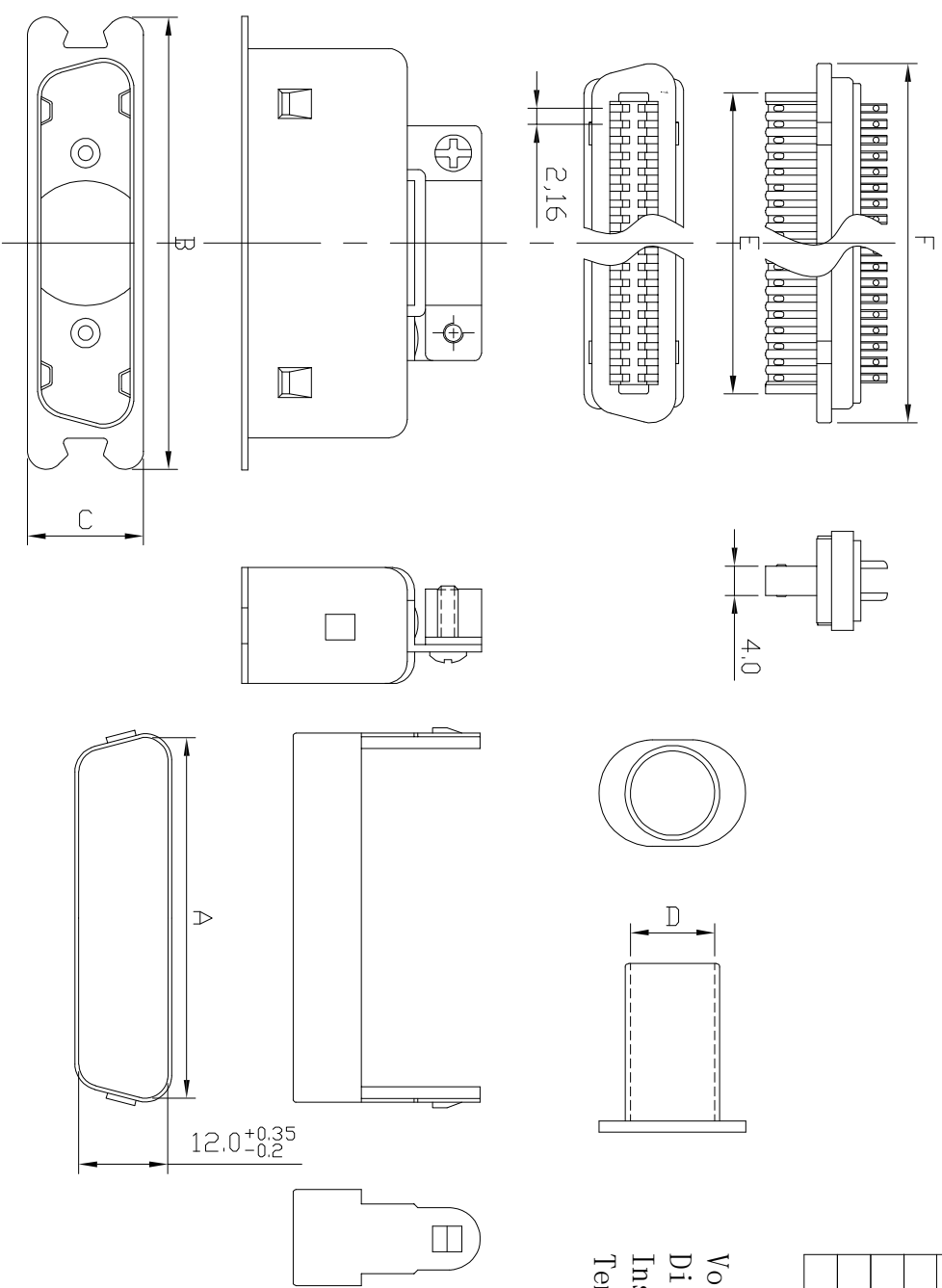


Positions	A±0.3	B±0.35	C±0.35	D±0.25	E±0.25	F±0.2
14	25.3	37.9	15.8	7.0	17.45	25.44
24	36.0	49.0	15.8	9.0	28.35	36.24
36	49.3	61.6	15.8	11.5	41.35	49.2
50	64.2	77.1	16	12.5	56.35	64.32

Voltage Current Rating: 5 AMP.
 Dielectric Withstanding Voltage: 500V AC
 Insulation Resistance: 1000MΩ Min.
 Temperature Range: -45°C to +85°C



PART NO: B17-0XX3X1AF-01
 CONTACT NO.:
 14: 14PIN
 24: 24PIN
 36: 36PIN
 50: 50PIN
 HOUSING COLOR:
 1:BLACK
 6:BLUE

ITEM	DESC.	MATERIAL	REMARKS	PART REMARKS
3	HOUSING	PBT+30%GF.(UL 94V-0)	COLOR:SEE PART NO.	
2	SHELL	SPCC	OVER-PLATING: NI	
1	TERMINAL	COPPER ALLOY	CONTACT AREA:G/F SOLDER AREA:Sn UNDER-PLATING:NI	

QUALITY SYMBOLS

□: MAJOR

△: CRITICAL

▽: ZERO DEFECT

Tolerance

X: ±0.50

.X: ±0.30

.XX: ±0.25



DATE	2020/07/12	DESCRIPTION	NEW ISSUE	APPROVER	JINGLI
SIDE	8	DATE	7	DESCRIPTION	6

NAME:	57-传统公焊线式+30大铁壳				PART NO.	B17-0XX3X1AF-01
REV:	A	UNIT:	mm	DRW BY	CHK BY	APP BY
SCALE:	N:1	DATE:	2020/07/12	JINGLI	KING ZHOU	
东莞市箜国电子有限公司						
DRAWING NO.	B17-002					