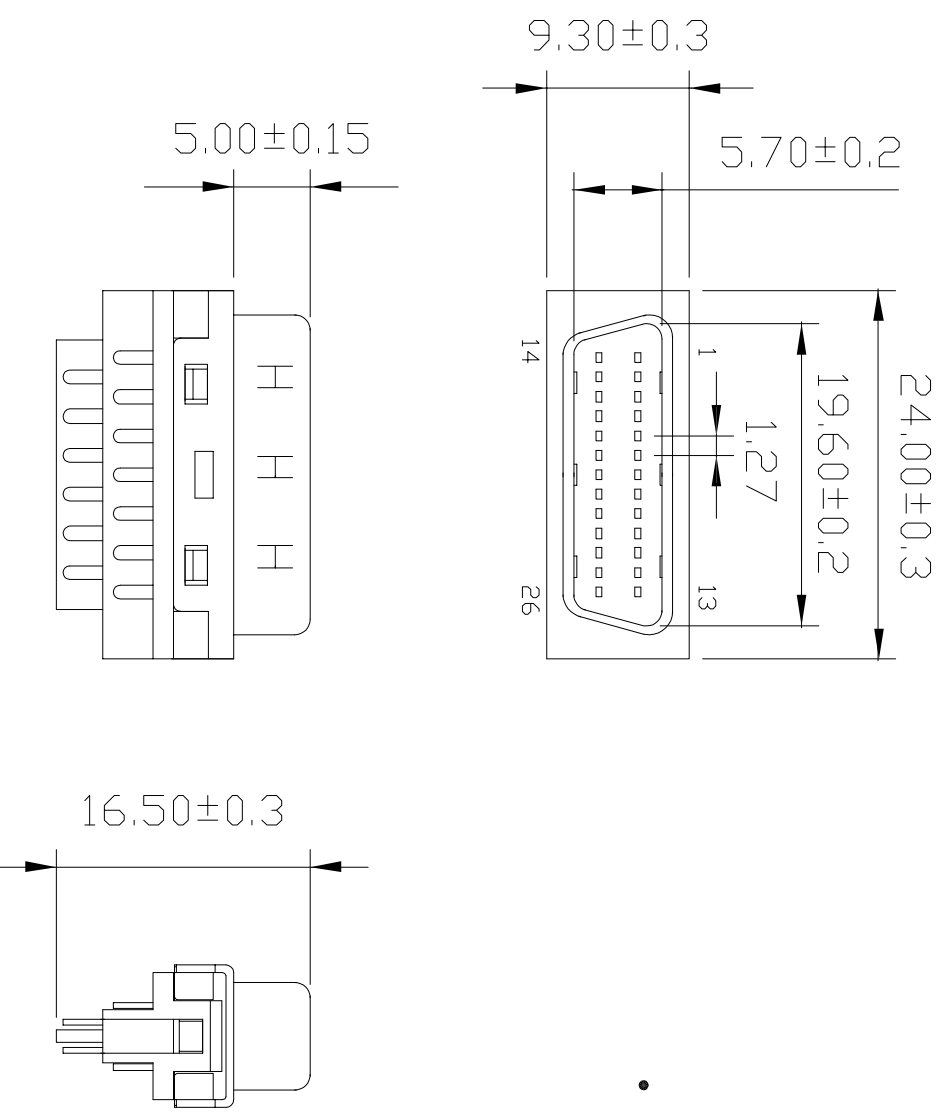


- **MATERIALS:(RoHS Compliant)**
- Housing And Cover : Plastic thermoplastic
P.B.T UL94V-0 black
- Contacts : Phosphor bronze gold
selective plated
- Front Shell : Steel nickel plated
over copper
- **ELECTRICAL CHARACTERISTICS**
- Contact Current Rating: 1 Amp
- Dielectric Withstanding Voltage: 500V AC
- Insulation Resistance: 500MΩ/Min
- Contact Resistance: 35mΩ/Max
- Operation Temperature: -55°C ~ +105°C



A		QUALITY SYMBOLS		Tolerance		NAME: SCS1-II 26P Male Solder Type For Cable		PART NO. B02-026311E0-01		DRAWING NO. MDD-005	
△		□ :	MAJOR	X.	±0.50	REV: A	UNIT: mm	DRW BY: KING ZHOU	CHK BY:	APP BY:	
△	2015/07/16	CRITICAL	MAJOR	X	±0.30	SCALE: N:1	DATE: 2015/07/16	DAW NHU			
△	2015/07/16	NEW EDITION	MAJOR	.xx	±0.15	东莞市箐国电子有限公司					
SIDE	DATE	DESCRIPTION	APPROVER	ZERO DEFECT S.P.C							
8		7		6		5		4		3	
8		7		6		5		4		3	

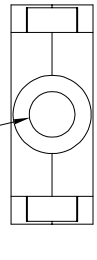
8 7 6 5 4 3 2 1

MPL26N ES 7 SS

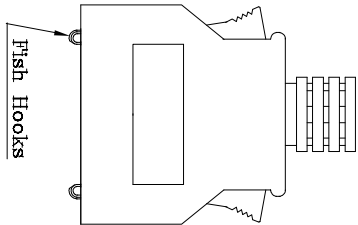
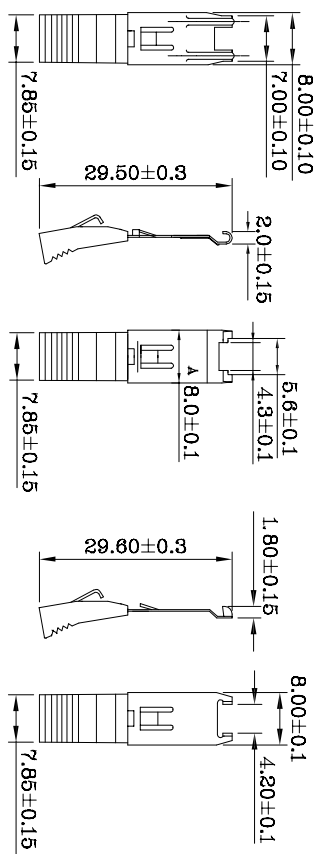
HOOD COLORS:
 ES = Especial
 K = black
 LI = light ivory

ENTRY HOLE SIZES:
 7 = $\phi 7.0$
 8 = $\phi 8.0$
 8A = $\phi 8.5$

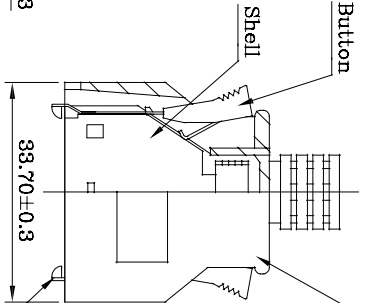
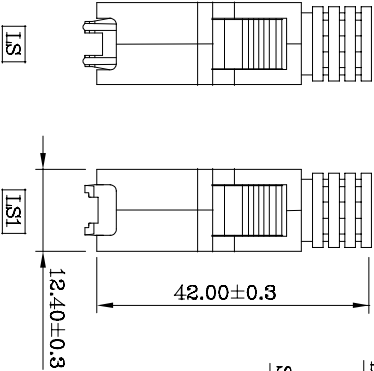
LEATH FINISHES:
 SS = flag hook spring latches
 LS = fish hook spring latches
 LS1 = fish hook spring latches



Entry Hole

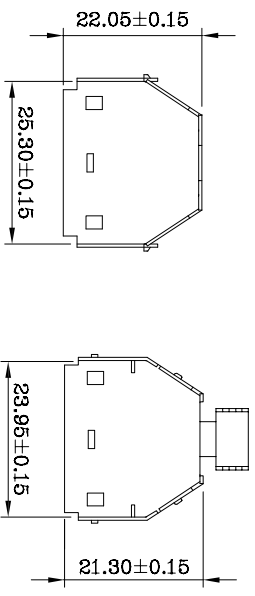


Fish Hooks



Button
 Shell
 Plastic Hood
 Flag Hooks

Dimension: 33.70 ± 0.3



ITEM	DESC.	MATERIAL	REMARKS	PART REMARKS
4	SHELL	SPCC		
3	LATCH	SUS 304		
2	LATCH COVER	ABS	COLOR: SEE NOTE	
1	HOOD	ABS	COLOR: SEE NOTE	

QUALITY SYMBOLS

Tolerance

NAME: SCS1 26P MALE ASSEMBLY TYPE 塑壳 (客户用图)
 REV: B
 UNIT: mm
 SCALE: N:1
 DATE: 2002/07/05

CRITICAL MAJOR

±0.50
 ±0.30
 ±0.25

PART NO. MPL26NXX X XX
 DRAWING NO. MPL-003

ZERO DEFECT S.P.C

QUALITY SYMBOLS

NAME: SCS1 26P MALE ASSEMBLY TYPE 塑壳 (客户用图)
 REV: B
 UNIT: mm
 SCALE: N:1
 DATE: 2002/07/05

CRITICAL MAJOR

±0.50
 ±0.30
 ±0.25

PART NO. MPL26NXX X XX
 DRAWING NO. MPL-003

DATE	DESCRIPTION	APPROVER
2007/01/22	增加外壳颜色	King Zhou
2002/07/05	新版发行	DAWN HU

DATE	DESCRIPTION	APPROVER
2007/01/22	增加外壳颜色	King Zhou
2002/07/05	新版发行	DAWN HU

DATE	DESCRIPTION	APPROVER
2007/01/22	增加外壳颜色	King Zhou
2002/07/05	新版发行	DAWN HU

DATE	DESCRIPTION	APPROVER
2007/01/22	增加外壳颜色	King Zhou
2002/07/05	新版发行	DAWN HU

东莞市箐国电子有限公司