



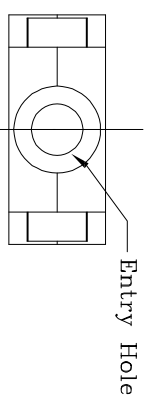
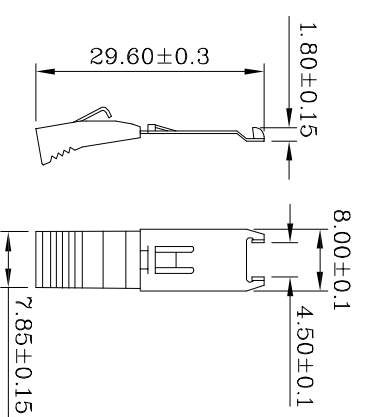
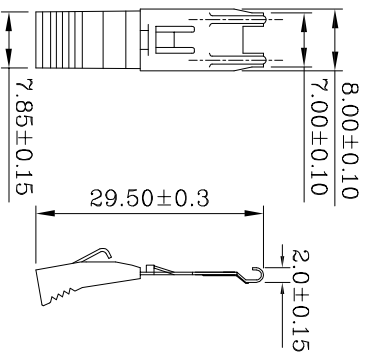
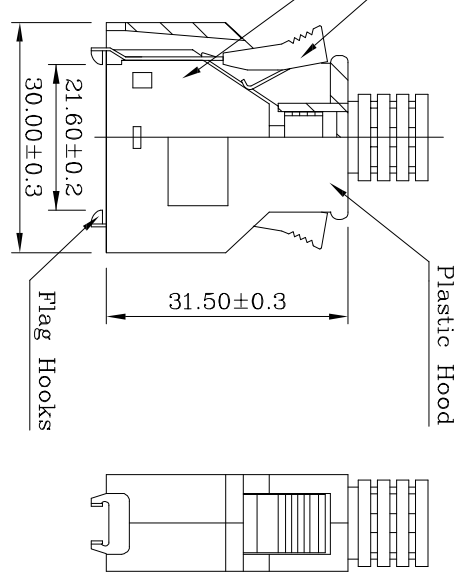
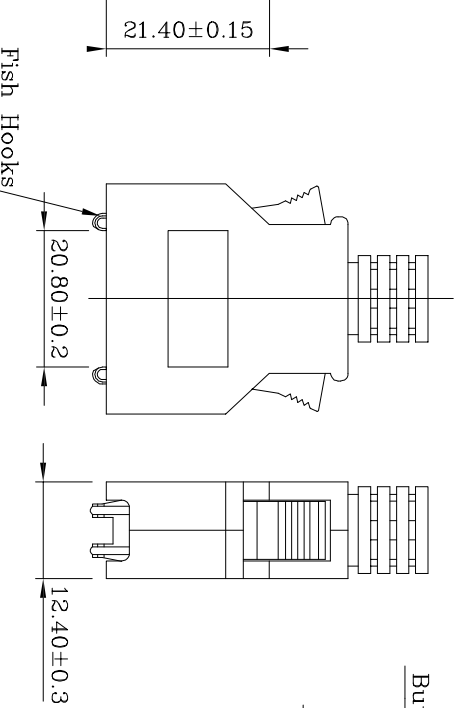
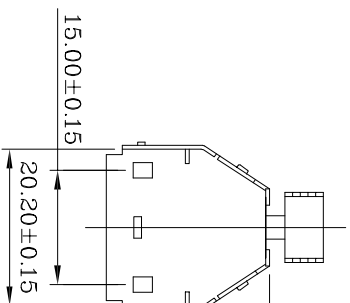
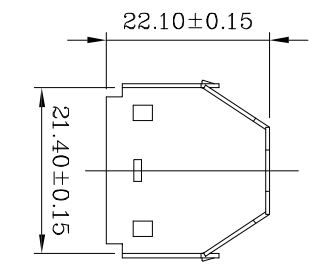
- FEATURES:**
- Plastic hood with spring latches
  - Steel inner shell
  - Full EMI/RFI shielded
- MATERIALS:**
- Hood: Plastic ABS Color:Black
  - Inner Shell: Steel , Nickel plated
  - Latch: Stainless steel

PART NO:

B02-020N11N X -X 1

LEATH FINISHES: X -X 1 ENTRY HOLE SIZES:

- 1 = flag hook
- 2 = fish hook
- 6 =  $\phi 6.0$
- 7 =  $\phi 7.0$
- 8 =  $\phi 8.0$



QUALITY SYMBOLS

- : CRITICAL
- ⊠ : MAJOR

Tolerance

- X.  $\pm 0.50$
- x  $\pm 0.30$
- .xx  $\pm 0.15$

NAME:

SCSI 20P Male ABS Hood Latch Type

PART NO.

B02-020N11N-X1

REV:

A

UNIT:

mm

DRW BY

CHK BY

APP BY

DRAWING NO. MDD-005

SCALE:

N:1

DATE:

DAW NHU

KING ZHOU

东莞市箐围电子有限公司

DESCRIPTION

新版发行

King Zhou

APPROVER

ZERO DEFECT S.P.C



DATE

2015/07/16

DATE

2015/07/16

DATE

DATE