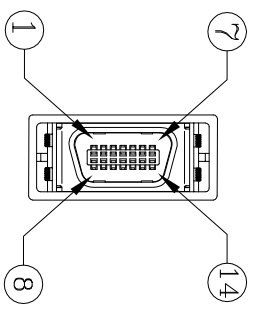
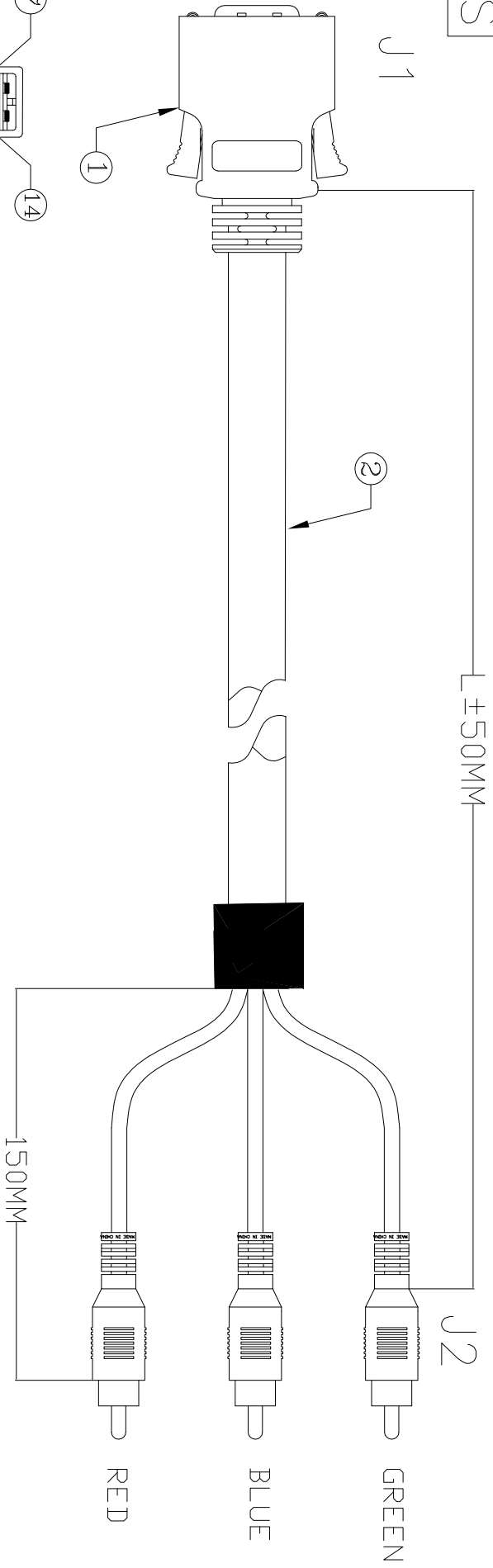


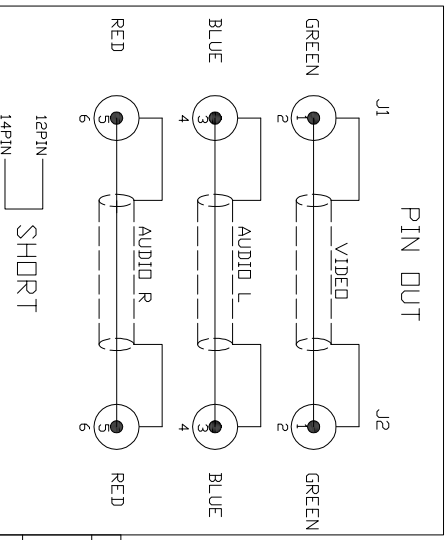
ROHS



PIN ASSIGNMENT

| P1 | SIGNAL | P2 | P1    | SIGNAL | P2    |
|----|--------|----|-------|--------|-------|
| 1  | Y      | 1  | 8     |        |       |
| 2  | Y GND  | 2  | 9     |        |       |
| 3  | Pb     | 3  | 10    |        |       |
| 4  | Pb GND | 4  | 11    |        |       |
| 5  | Pr     | 5  | 13    |        |       |
| 6  | Pr GND | 6  | 12]   | SHORT  |       |
| 7  |        |    | 14]   | SHORT  |       |
|    |        |    | Shell | Ground | Shell |

PIN OUT



THIS DRAWING CONTAINS INFORMATION THAT IS PROPRIETARY TO KinKuo INCORPORATED AND SHOULD NOT BE USED WITHOUT WRITTEN REMISSION.

| Port NO | LENGTH               | REMARK |
|---------|----------------------|--------|
| 1       | FC-DR14-01A L=1000MM |        |
| 2       | FC-DR14-02A L=1500MM |        |
| 3       | FC-DR14-03A L=3000MM |        |

| ITEM | PART NAME | DESCRIPTION  | QTY  |
|------|-----------|--|------|
| 1    | CONNECTOR | HPGN SCSI 14Pin Male ASS'Y TYPE                      | 1SET |
| 2    | CABLE     | UL20276 28AWG*3COAX PVC JACKET COLOR:BLACK OD= 6.3mm | 1PCS |
| 3    | CONNECTOR | RCA MALE Au G/F                                      | 3PCS |

QUALITY SYMBOLS



UNIT: mm SCALE: 2:1 TOLERANCES: DIM. ±0.10 ANGLE: ±1°

CRITICAL  
MAJOR  
ZERO DEFECT S.P.C

面发行  
2021-05-22  
图面发行日期

| REV | DESCRIPTION | DATE       | REV | DESCRIPTION | DATE |
|-----|-------------|------------|-----|-------------|------|
| A   | 面发行         | 2021-05-22 |     |             |      |

东莞市箐围电子有限公司

8 7 6 5 4 3 2 1