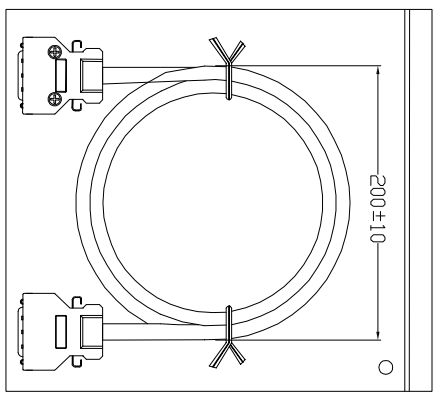
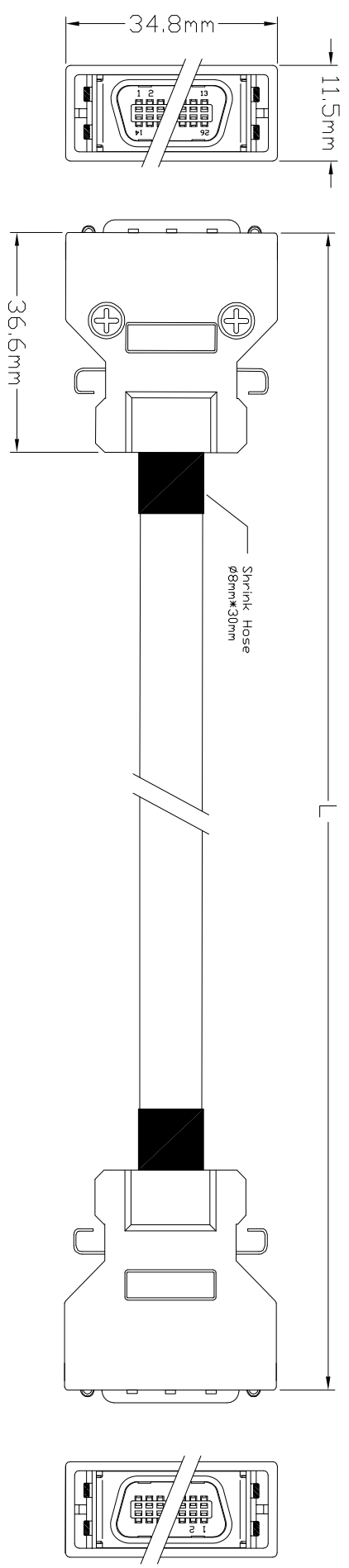
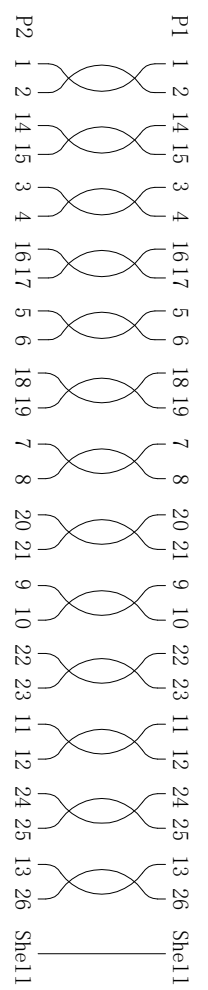


RoHS



PIN ASS'Y



Part NO	LENGTH	REMARK
1 FC-DC26-01C	L=1000MM	
2 FC-DC26-02C	L=1500MM	
3 FC-DC26-03C	L=2000MM	
4 FC-DC26-04C	L=3000MM	
5 FC-DC26-05C	L=5000MM	

QUALITY SYMBOLS	UNIT	SCALE	TOLERANCES
CRITICAL	mm	2:1	DIM. ±0.10
MAJOR			ANGLE: ±1°

ITEM	PART NAME	DESIGN	DRAWN	PART NO.	DESCRIPTION
1	shrink hose				Shrink Hose ø8*30mm Black
2	CONNECTOR	HPGN SCSI 26Pin Male ASS'Y			带锌合金外壳
3	CABLE	UL2919 28AWG*13P+AL+BRAID PVC JACKET COLOR:BLACK OD= 7.0mm			

APPROVED	CHECKED	DESIGN	DRAWN	PART NO.	DESCRIPTION
				FC-DC26-XXC	FC-DC26-XXC
					SCSI MDR-26P CABLE(ZINC Metal Hood)

THIS DRAWING CONTAINS INFORMATION THAT IS PROPRIETARY TO KinKuo INCORPORATED AND SHOULD NOT BE USED WITHOUT WRITTEN REMISSION.

REV	DESCRIPTION	DATE
A	图面发行	2021-05-22

东莞市箐国电子有限公司

DESCRIPTION	REV
SCSI MDR-26P CABLE(ZINC Metal Hood)	A