

1 RoHS Compliant

2 Customer Drawing

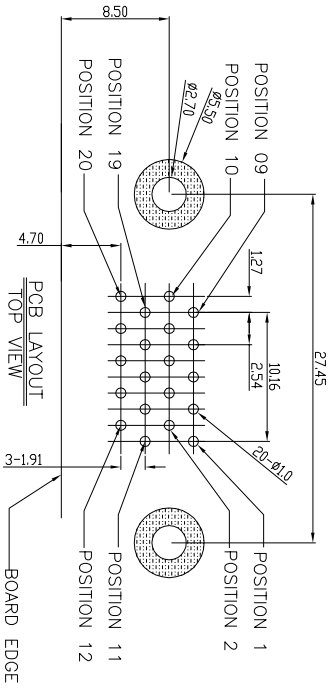
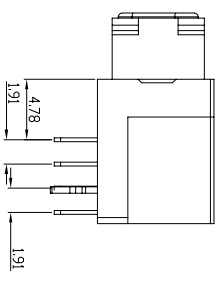
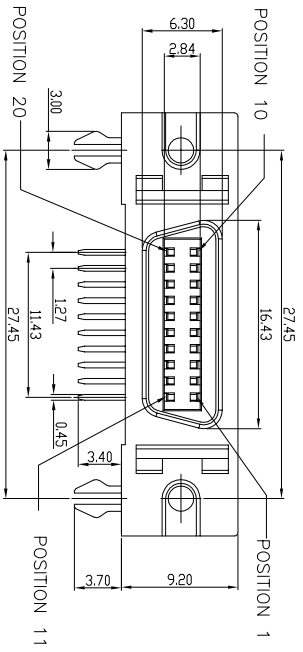
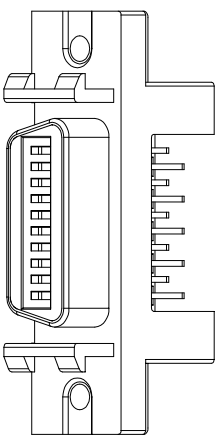
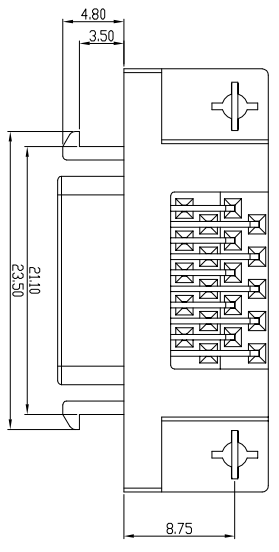
3

4

5

6

Rev	Date	Description	B.Y.	ECN NO.
A0	2017.05.22	New Drawing	Owen	



NOTE:

- MATERIAL:
  - INSULATOR:PBT BLACK UL 94V-0
  - COVER:LCP BLACK UL94-V0
  - CONTACT:COPPER ALLOY(T=0.30mm)
  - SHELL:Zinc alloy.

- ELECTRICAL CHARACTERISTICS:
  - CONTACT RATING:30 VAC
  - CONTACT CURRENT RATING:0.5A
  - DIELECTRIC WITHSTANDING VOLTAGE:500V AC FOR 60S.
  - INSULATION RESISTANCE 500mΩ MIN INITIAL
  - OPERATING TEMPERATURE:-45°C ~ 85°C

- PLATING
  - TERMINAL:50u" MIN NICKEL ALL OVER  
80u" MIN Tin ON SOLDER AREA  
30u" GOLD ON CONTACT AREA
  - SHELL:100u"MIN,NICKEL OVER 50"MIN COPPER

- Ordering information:
 

B03-XXX - 618 X 7-01  
(1) (2)

- No. of Contacts:
 

014=14pins	020=20pins
026=26pins	036=36pins
050=50pins	068=68pins
- Contact Finishes:
 

A=Gold Flash Selective Plating  
C=3u" Gold Selective Plating  
H=15u" Gold Selective Plating

-TOLERANCES-  
UNLESS OTHERWISE  
SPECIFIED

东莞市箐国电子有限公司  
SCSI CN-20P Female 90° DIP

		Title: SCSI CN-20P Female 90° DIP	
0. ±1.40	0. ±130"	Appd: B.X.T	P/N: B03-020618X7-01
0.0 ±1.35	0.0" ±125"	Check: B.X.T	Date Scale Unit Type Page
0.00±1.3	0.00" ±120"	Draw.: D.L.	2017.05.22 Free MM Z 1/1

This document and information contained herein are the property of Kinkuo, copies are issued in strict confidence and shall not be reproduced or copied or used as the basis of manufacture or sale of apparatus without permission.