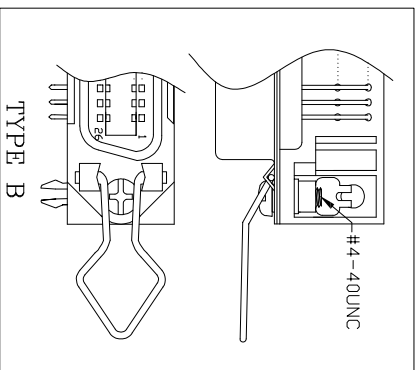


PCB LAYOUT

Positions	A	B	C	D
14	12.96	25.2	36.0	44.0
24	23.76	36.0	46.8	54.8
36	36.72	48.9	59.7	67.7
50	51.84	64.0	74.9	82.8



Voltage Current Rating: 5 AMP.
 Dielectric Withstanding Voltage: 500V AC
 Insulation Resistance: 1000M Ω Min.
 Temperature Range: -25 $^{\circ}$ C to +85 $^{\circ}$ C

PART NO: B17-0XX6X1AX-01

CONTACT NO.: _____

- 14: 14PIN
- 24: 24PIN
- 36: 36PIN
- 50: 50PIN

- HOUSING COLOR: _____
- 1:BLACK
 - 6:BLUE

OPTIONS: _____

A: A TYPE #4-40螺母

B: B TYPE 柳三角片

ITEM	DESC.	MATERIAL	REMARKS	PART REMARKS
4	HOOK/NUT	STEEL	OVER-PLATING: NI	
3	HOUSING	PBT+30%G.F.(UL 94V-0)	COLOR:SEE PART NO.	
2	SHELL	SPCC	OVER-PLATING: NI	
1	TERMINAL	COPPER ALLOY	CONTACT AREA:G/F SOLDER AREA:Sn UNDER-PLATING:NI	

NAME:	57 Series female R/A DIP Type for PCB Pitch=2.16mm	PART NO.	B17-0XX6X1AX-01
-------	--	----------	-----------------

REV:	A	UNIT:	mm	DRW BY	CHK BY	APP BY	DRAWING NO.
SCALE:	N:1	DATE:	2016/09/26	JINGLI	KING ZHOU		B17-003

东莞市箐国电子有限公司

QUALITY SYMBOLS	Tolerance	DATE	DESCRIPTION	APPROVER	ZERO DEFECT S.P.C
<input type="checkbox"/> : <input checked="" type="checkbox"/> : CRITICAL MAJOR : :	X. X .XX ±0.50 ±0.40 ±0.25	2016/09/26	NEW ISSUE	JINGLI	