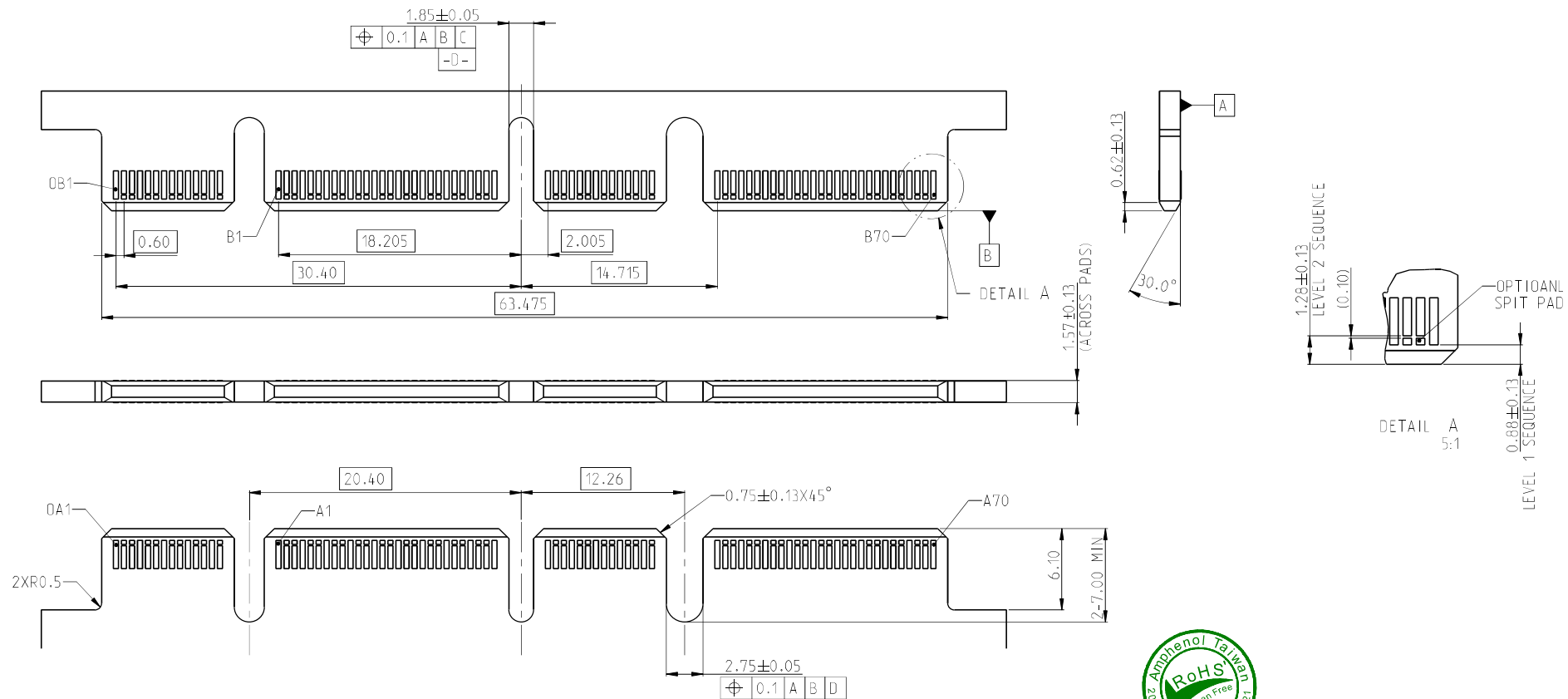


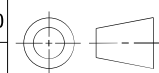
This document is the property of Amphenol Corporation and is delivered on the express condition that is not to be disclosed, reproduced or used, in whole or in part, for manufacture or sale by anyone other than Amphenol Corporation without its prior consent, and that no right is granted to disclose or to use any information in this document.

The marking on this product doesn't contain environmental hazardous materials per Material Specification SS-00259 for Sony GP compliant or per directive 2011/65/EU for RoHS compliant or per IEC 61249-2-21 for Halogen-Free compliant.

REVISIONS				
SYM	ECN No.	DESCRIPTION	DATE	BY
4X1	NA	INITIAL REVISION	08/19/2020	JOAN LU
AX2	NA	MODIFY DRAWING	09/25/2020	JOAN LU
AX3	NA	ADDED PACKAGE DRAWING	11/13/2020	JOAN LU
AX4	NA	ADDED NOTE FOR PRELOAD DESIGN	11/17/2020	JOAN LU



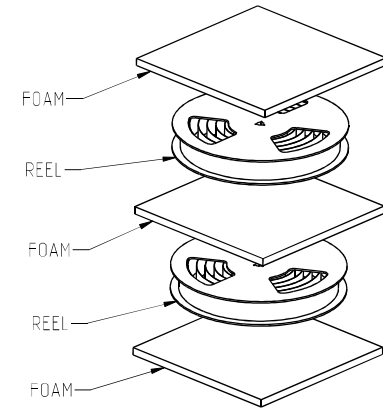
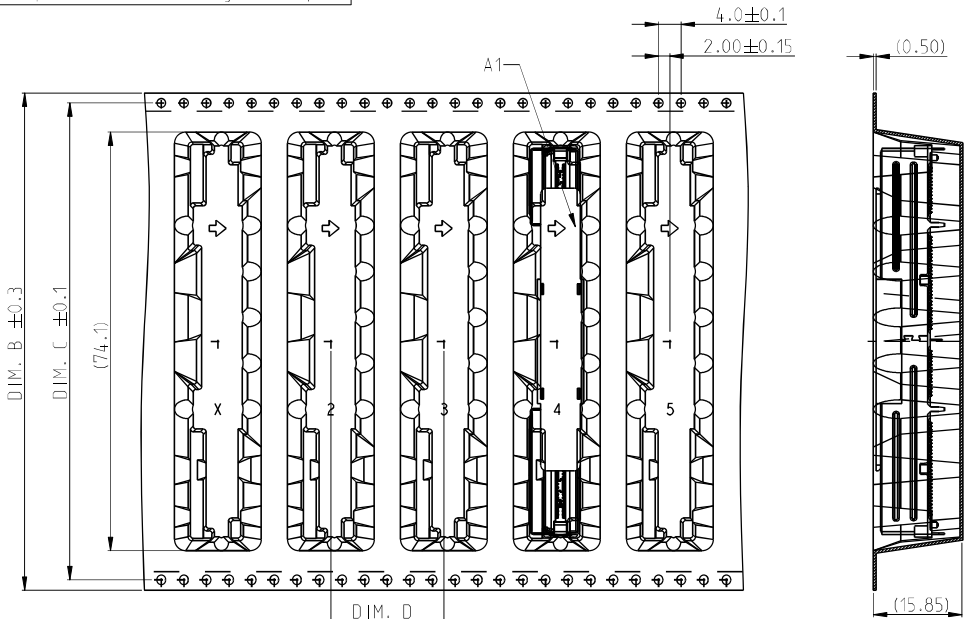
TOLERANCE	DRAWN APPROVALS	DATE	TITLE	UNIT	SIZE	PART No.
X. ± 0.30	DESIGNED Joan Lu	11/17/2020	EXTREMEPORT Z-LINK 4C PLUS, 0.6PITCH, VERTICAL STANDARD, SMT TYPE	mm	A3	G64 VX5XXXHR
X.X ± 0.20	CHECKED Sondra Sang	11/17/2020				
X.XX ± 0.10	APPROVED Hank Hsu	11/17/2020				
X.XXX ± 0.10	DWG TYPE CUST DWG	PROJECT CODE TXXX				
ANGULAR $\pm 2^\circ$				SCALE NA	SHEET 3 OF 4	DWG No. G64 VX5XXXHR
UNLESS OTHERWISE SPECIFIED						REV. AX4



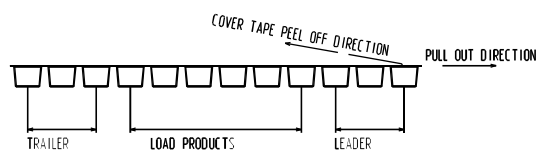
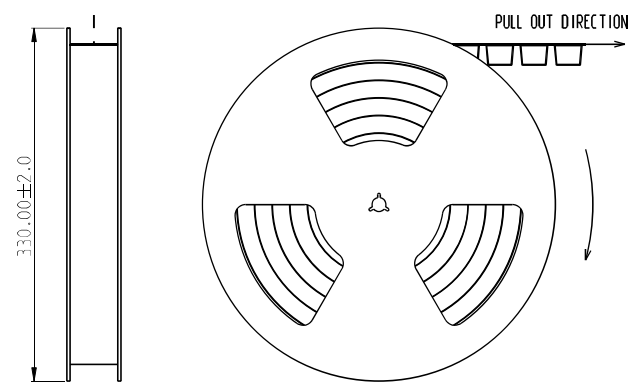
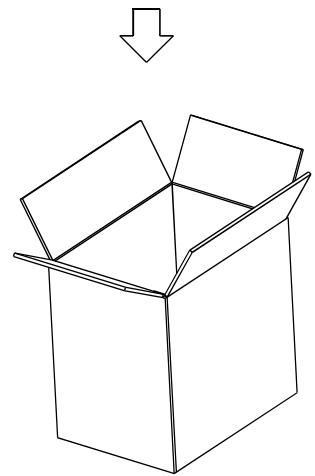
This document is the property of Amphenol Corporation and is delivered on the express condition that it is not to be disclosed, reproduced or used, in whole or in part, for manufacture or sale by anyone other than Amphenol Corporation without its prior consent, and that no right is granted to disclose or to use any information in this document.

The marking on this product doesn't contain environmental hazardous materials per Material Specification SS-00259 for Sony GP compliant or per directive 2011/65/EU for RoHS compliant or per IEC 61249-2-21 for Halogen-Free compliant.

REVISIONS				
SYM	ECN No.	DESCRIPTION	DATE	BY
AX1	NA	INITIAL REVISION	08/19/2020	JOAN LU
AX2	NA	MODIFY DRAWING	09/25/2020	JOAN LU
AX3	NA	ADDED PACKAGE DRAWING	11/13/2020	JOAN LU
AX4	NA	ADDED NOTE FOR PRELOAD DESIGN	11/17/2020	JOAN LU



PART NUMBER	PACKING CODE	PACKING TYPE	DIM. B	DIM. C	DIM. D	REEL(Q'TY)	CARTON (PCS)	PICK AND PLACE
G64VX5XX2HR	2	TAPE AND REEL	88	84.4	24	2	310	WITH CAP
G64VX5XX3HR	3	TAPE AND REEL	88	84.4	24	2	310	NONE



NOTE 2:
 1. CARTON SIZE
 340L X 340L 240H
 2. PREFER TO AMTA LABELING STANDARD.
 3. CARTON CLOSURES MUST BE SALES WITH TAPE.



NOTE 1:
 1. MATERIAL :
 CARRIER TAPE: POLYSTYRENE, BLACK
 COVER TAPE: TRANSPARENT POLYSTYRENE
 REEL: POLYSTYRENE, BLACK
 2. ALL TAPE AND REEL SPECIFICATION FELLOW EIA-481 STANDARD.
 3. THIS PRODUCT DOESN'T CONTAIN ENVIRONMENTAL HAZROUDS PER DIRECTIVE 2002/95/EC FOR RoHS

TOLERANCE	DRAWN	APPROVALS	DATE	TITLE
X. X.X ±0.30 X.XX ±0.20 X.XXX ±0.10	DESIGNED	Joan Lu	11/17/2020	EXTREMEPORT Z-LINK 4C PLUS, 0.6PITCH, VERTICAL STANDARD, SMT TYPE
	CHECKED	Sondra Sang	11/17/2020	
ANGULAR ±2°	APPROVED	Hank Hsu	11/17/2020	
UNLESS OTHERWISE SPECIFIED	DWG TYPE	CUST DWG	PROJECT CODE	TXXX

UNIT	SIZE	PART No.
MM	A3	G64VX5XXXHR

SCALE	SHEET	DWG No.	REV.
NA	4 OF 4	G64VX5XXXHR	AX4

