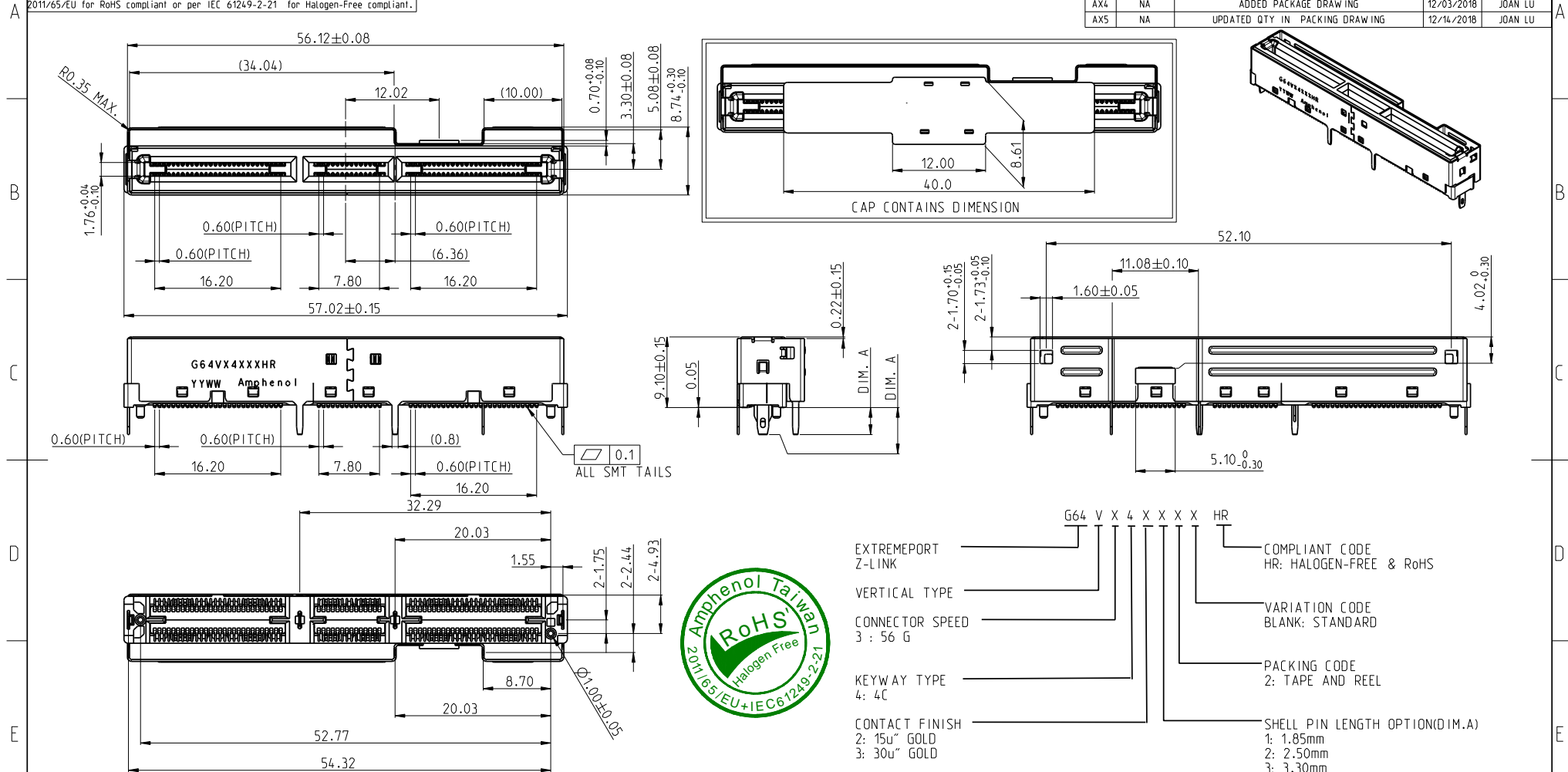


This document is the property of Amphenol Corporation and is delivered on the express condition that is not to be disclosed, reproduced or used, in whole or in part, for manufacture or sale by anyone other than Amphenol Corporation without its prior consent, and that no right is granted to disclose or to use any information in this document.

The marking on this product doesn't contain environmental hazardous materials per Material Specification SS-00259 for Sony GP compliant or per directive 2011/65/EU for RoHS compliant or per IEC 61249-2-21 for Halogen-Free compliant.

REVISIONS				
SYM	ECN No.	DESCRIPTION	DATE	BY
AX1	NA	INITIAL REVISION	08/17/2018	JOAN LU
AX2	NA	REVISED DRAWING	10/29/2018	JOAN LU
AX3	NA	ADDED CAP	11/06/2018	JOAN LU
AX4	NA	ADDED PACKAGE DRAWING	12/03/2018	JOAN LU
AX5	NA	UPDATED QTY IN PACKING DRAWING	12/14/2018	JOAN LU



G64 V X 4 X X X X HR

EXTREMEPORT Z-LINK
VERTICAL TYPE
CONNECTOR SPEED 3 : 56 G
KEYWAY TYPE 4: 4C
CONTACT FINISH
2: 15u" GOLD
3: 30u" GOLD

COMPLIANT CODE
HR: HALOGEN-FREE & RoHS

VARIATION CODE
BLANK: STANDARD

PACKING CODE
2: TAPE AND REEL

SHELL PIN LENGTH OPTION(DIM.A)
1: 1.85mm
2: 2.50mm
3: 3.30mm
4: 4.50mm
5: 1.20mm

FOR REFERENCE ONLY

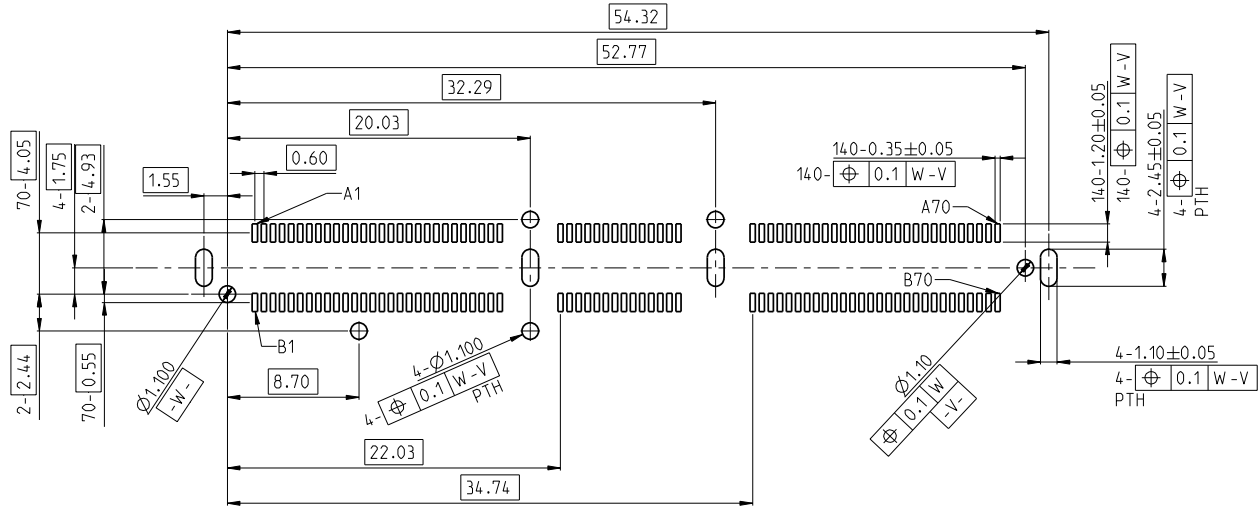
NOTES:
1. MATERIALS:
PLASTICS : HIGH TEMPERATURE THERMOPLASTIC UL94-0.
SHELL : STAINLESS
CONTACT: COPPER ALLOY
BOARD LOCK: BRASS ALLOY
2: FINISH
TERMINAL : CONTACT AREA : SELECTED GOLD PLATING
SOLDER AREA : MATTE TIN PLATING 100u".
UNDER PLATING: NICKEL PLATING 50u"MIN OVER ALL
SHELL : UNDER PLATING: ELECTROLESS NICKEL PLATING 50u"MIN OVER ALL
BOARD LOCK: UNDER PLATING:NICKEL PLATING 50u"MIN OVER ALL
SOLDER AREA : MATTE TIN PLATING 100u".
3. THIS PRODUCT DOESN'T CONTAIN ENVIRONMENTAL HAZARDOUS MATERIALS PER DERCTIVE 2011/65/EC FOR RoHS AND PER IEC 61249-2-21 FOR HALOGEN FREE.

TOLERANCE	DRAWN	APPROVALS	DATE	TITLE	Amphenol® Amphenol Corporation Amphenol Taiwan Corporation			
X. X.X ±0.30 X.XX ±0.20 X.XXX ±0.10	DESIGNED	Joan Lu	12/15/2018	EXTREMEPORT Z-LINK 4C, 0.6 PITCH, VERTICAL STANDARD, SMT TYPE	UNIT mm	SIZE A3	PART No. G64 VX4 XXXXHR	REV. AX5
	CHECKED	Sondra Sang	12/15/2018					
ANGULAR ±2°	APPROVED	Hank Hsu	12/15/2018	PROJECT CODE TXXX	SCALE NA	SHEET 1 OF 3	DWG No. G64 VX4 XXXXHR	
UNLESS OTHERWISE SPECIFIED	DWG TYPE	CUST DWG						

This document is the property of Amphenol Corporation and is delivered on the express condition that is not to be disclosed, reproduced or used, in whole or in part, for manufacture or sale by anyone other than Amphenol Corporation without its prior consent, and that no right is granted to disclose or to use any information in this document.

The marking on this product doesn't contain environmental hazardous materials per Material Specification SS-00259 for Sony GR compliant or per directive 2011/65/EU for RoHS compliant or per IEC 61249-2-21 for Halogen-Free compliant.

REVISIONS				
SYM	ECN No.	DESCRIPTION	DATE	BY
AX1	NA	INITIAL REVISION	08/17/2018	JOAN LU
AX2	NA	REVISED DRAWING	10/29/2018	JOAN LU
AX3	NA	ADDED CAP	11/06/2018	JOAN LU
AX4	NA	ADDED PACKAGE DRAWING	12/03/2018	JOAN LU
AX5	NA	UPDATED QTY IN PACKING DRAWING	12/14/2018	JOAN LU



RECOMMENDED PCB LAYOUT
(GENERAL TOLERANCES :+/-0.05)



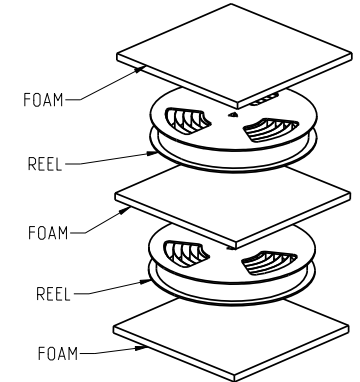
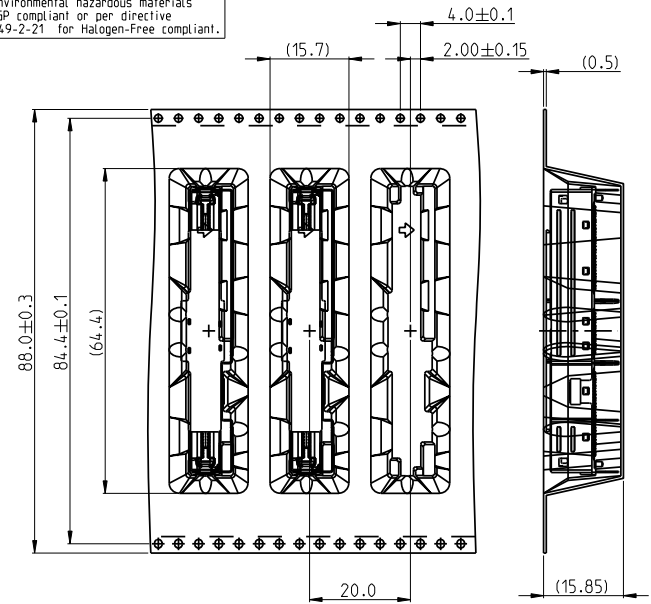
FOR REFERENCE ONLY

TOLERANCE	DRAWN APPROVALS	DATE	TITLE	Amphenol® Amphenol Corporation Amphenol Taiwan Corporation	
X. ±0.30	DESIGNED Joan Lu	12/15/2018	EXTREMEPORT Z-LINK 4C, 0.6 PITCH, VERTICAL STANDARD, SMT TYPE	PART No. G64 VX4 XXXXHR	
X.XX ±0.20	CHECKED Sondra Sang	12/15/2018		REV. AX5	
X.XXX ±0.10	APPROVED Hank Hsu	12/15/2018	UNIT mm	SIZE A3	DWG No. G64 VX4 XXXXHR
ANGULAR ±2°	DWG TYPE CUST DWG	PROJECT CODE TXXX	SCALE NA	SHEET 2 OF 3	
UNLESS OTHERWISE SPECIFIED					

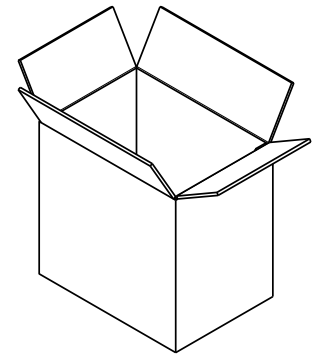
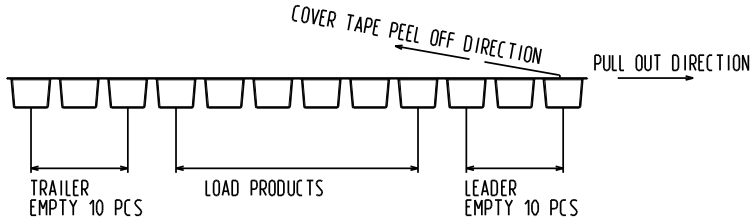
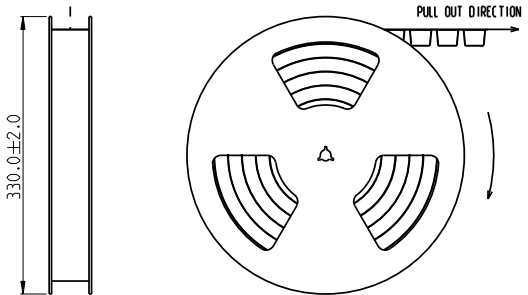
This document is the property of Amphenol Corporation and is delivered on the express condition that is not to be disclosed, reproduced or used, in whole or in part, for manufacture or sale by anyone other than Amphenol Corporation without its prior consent, and that no right is granted to disclose or to use any information in this document.

The marking on this product doesn't contain environmental hazardous materials per Material Specification SS-00259 for Sony GP compliant or per directive 2011/65/EU for RoHS compliant or per IEC 61249-2-21 for Halogen-Free compliant.

REVISIONS				
SYM	ECN No.	DESCRIPTION	DATE	BY
AX1	NA	INITIAL REVISION	08/17/2018	JOAN LU
AX2	NA	REVISED DRAWING	10/29/2018	JOAN LU
AX3	NA	ADDED CAP	11/06/2018	JOAN LU
AX4	NA	ADDED PACKAGE DRAWING	12/03/2018	JOAN LU
AX5	NA	UPDATED QTY IN PACKING DRAWING	12/14/2018	JOAN LU



FOR REFERENCE ONLY



- NOTE 2:
- CARTON SIZE
340L X 340W X 240H
 - PREFER TO AMTA LABELING STANDARD.
 - CARTON CLOSURES MUST BE SEALED WITH TAPE.

PART NUMBER	REEL (Q'TY)	CARTON (PCS)
G64VX4XXXXHR	2	400

NOTE 1:
 1.MATERIAL:
 CARRIER TAPE: POLYSTYRENE, BLACK
 COVER TAPE: TRANSPARENT POLYSTYRENE
 REEL: POLYSTYRENE, BLACK
 2.ALL TAPE AND REEL SPECIFICATION FOLLOW EIA-481 STANDARD.
 3.THIS PRODUCT DOESN'T CONTAIN ENVIRONMENTAL HAZARDOUS PER DIRECTIVE 2002/95/EC FOR RoHS.

TOLERANCE	DRAWN	APPROVALS	DATE	TITLE	Amphenol® Amphenol Corporation Amphenol Taiwan Corporation			
X. X.X ±0.30 X.XX ±0.20 X.XXX ±0.10	DESIGNED	Joan Lu	12/15/2018	EXTREMEPORT Z-LINK 4C, 0.6 PITCH, VERTICAL STANDARD, SMT TYPE	PART No.		G64VX4XXXXHR	
	CHECKED	Sondra Sang	12/15/2018		UNIT		mm	
	APPROVED	Hank Hsu	12/15/2018		SCALE		NA	
ANGULAR ±2°	DWG TYPE	CUST DWG	PROJECT CODE	1515	UNIT	mm	SIZE	A3
UNLESS OTHERWISE SPECIFIED					SCALE	NA	SHEET	3 OF 3
					DWG No.	G64VX4XXXXHR		REV.
								AX5