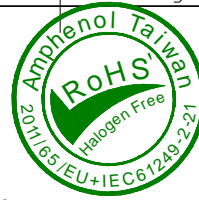
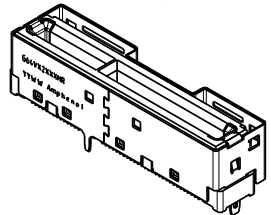
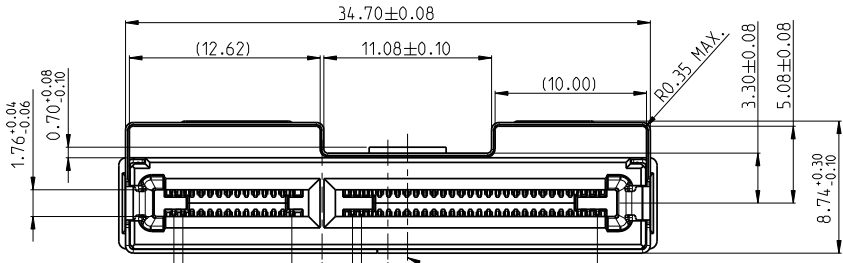


This document is the property of Amphenol Corporation and is delivered on the express condition that it is not to be disclosed, reproduced or used, in whole or in part, for manufacture or sale by anyone other than Amphenol Corporation without its prior consent, and that no right is granted to disclose or to use any information in this document.

The marking on this product doesn't contain environmental hazardous materials per Material Specification SS-00259 for Sony GP compliant or per directive 2011/65/EU for RoHS compliant or per IEC 61249-2-21 for Halogen-Free compliant.



| REVISIONS | | | | |
|-----------|---------|-------------------------------|------------|---------|
| SYM | ECN No. | DESCRIPTION | DATE | BY |
| AX1 | NA | INITIAL REVISION | 07/23/2018 | JOAN LU |
| AX2 | NA | REVISED DRAWING | 09/12/2018 | JOAN LU |
| AX3 | NA | REVISED DRAWING | 10/30/2018 | JOAN LU |
| AX4 | NA | ADDED CAP AND PACKING DRAWING | 12/14/2018 | JOAN LU |



EXREMEPORT Z-LINK
 VERTICAL TYPE
 CONNECTOR SPEED
 3 : 56 G
 KEYWAY TYPE
 2: 2C
 CONTACT FINISH
 2: 15u" GOLD
 3: 30u" GOLD

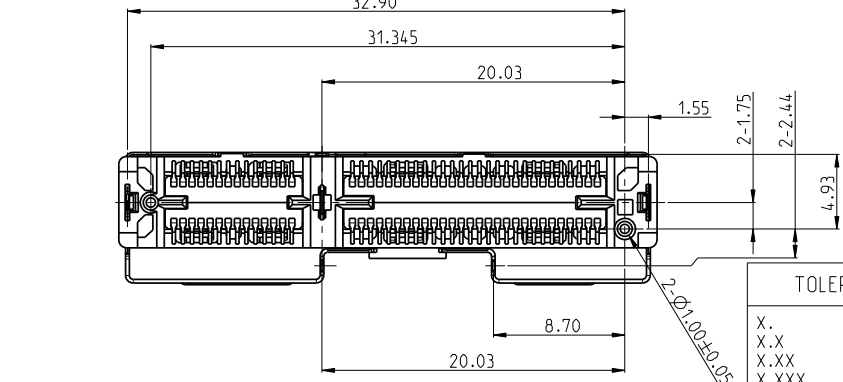
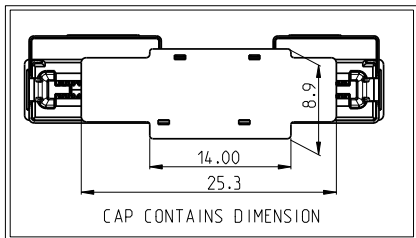
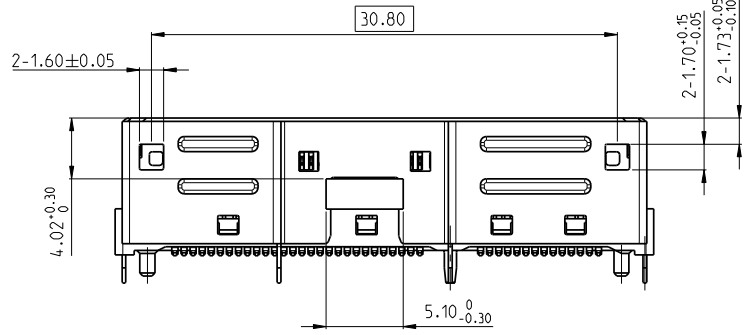
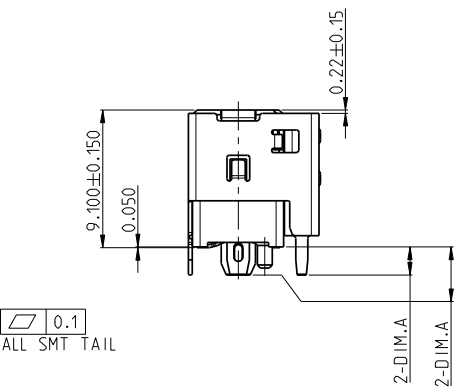
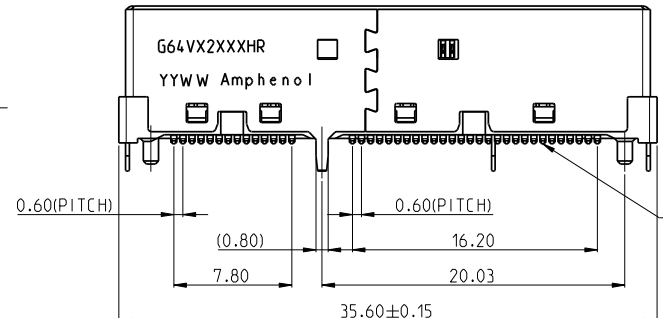
G64 V X 2 X X X X HR

COMPLIANT CODE
 HR: HALOGEN-FREE & RoHS

VARIATION CODE
 BLANK: STANDARD

PACKING CODE
 2: TAPE AND REEL

SHELL PIN LENGTH OPTION(DIM.A)
 1: 1.85mm
 2: 2.50mm
 3: 3.30mm
 4: 4.50mm
 5: 1.20mm



NOTES:
 1. MATERIALS:
 PLASTICS : HIGH TEMPERATURE THERMOPLASTIC UL94-0.
 SHELL : STAINLESS
 CONTACT: COPPER ALLOY
 BOARD LOCK: BRASS ALLOY
 2: FINISH
 TERMINAL : CONTACT AREA : SELECTED GOLD PLATING
 SOLDER AREA : MATTE TIN PLATNG 100u".
 UNDER PLATING: NICKEL PLATING 50u"MIN OVER ALL
 SHELL : UNDER PLATING: ELECTROLESS NICKEL PLATING 50u"MIN OVER ALL
 SOLDER AREA : MATTE TIN PLATNG 100u".
 BOARD LOCK: UNDER PLATING:NICKEL PLATING 50u"MIN OVER ALL
 3.THIS PRODUCT DOESN'T CONTAIN ENVIROMENTAL HAZARDOUS MATERIALS PER DERCTIVE 2011/65/EC FOR ROHS AND PER IEC 61249-2-21 FOR HALOGEN FREE.

FOR REFERENCE ONLY

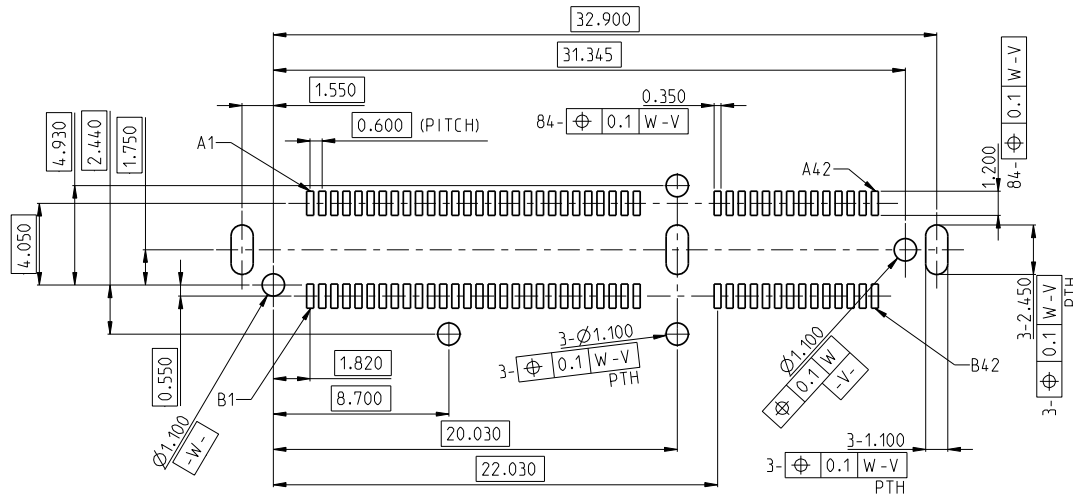
| | | | | | | |
|-------------------------------------|----------|-------------|--------------|---|---|--------------|
| TOLERANCE | DRAWN | APPROVALS | DATE | TITLE | | |
| X. ±0.30 X.X ±0.20 X.XX ±0.10 | DESIGNED | Joan Lu | 12/15/2018 | EXTREMEPORT Z-LINK 2C, 0.6 PITCH, VERTICAL STANDARD, SMT TYPE | Amphenol Corporation Amphenol Taiwan Corporation | |
| ANGULAR ±2° | CHECKED | Sondra Sang | 12/15/2018 | | UNIT | mm |
| UNLESS OTHERWISE SPECIFIED | APPROVED | Hank Hsu | 12/15/2018 | | SCALE | NA |
| | DWG TYPE | CUST DWG | PROJECT CODE | TXXX | SIZE | A3 |
| | | | | | SHEET | 1 OF 3 |
| | | | | | PART No. | G64 VX2XXXHR |
| | | | | | DWG No. | G64 VX2XXXHR |
| | | | | | REV. | AX4 |

This document is the property of Amphenol Corporation and is delivered on the express condition that is not to be disclosed, reproduced or used, in whole or in part, for manufacture or sale by anyone other than Amphenol Corporation without its prior consent, and that no right is granted to disclose or to use any information in this document.

The marking on this product doesn't contain environmental hazardous materials per Material Specification SS-00259 for Sony GP compliant or per directive 2011/65/EU for RoHS compliant or per IEC 61249-2-21 for Halogen-Free compliant.



| REVISIONS | | | | |
|-----------|---------|-------------------------------|------------|---------|
| SYM | ECN No. | DESCRIPTION | DATE | BY |
| AX1 | NA | INITIAL REVISION | 07/23/2018 | JOAN LU |
| AX2 | NA | REVISED DRAWING | 09/12/2018 | JOAN LU |
| AX3 | NA | REVISED DRAWING | 10/30/2018 | JOAN LU |
| AX4 | NA | ADDED CAP AND PACKING DRAWING | 12/14/2018 | JOAN LU |



RECOMMENDED PCB LAYOUT
(GENERAL TOLERANCES :+/-0.05)

FOR REFERENCE ONLY

| TOLERANCE | DRAWN | APPROVALS | DATE | TITLE | UNIT | SIZE | PART No. | |
|----------------------------|----------|-------------|--------------|---|-------|------|-----------------------|----------|
| X. ±0.30 | DESIGNED | Joan Lu | 12/15/2018 | EXTREMEPORT Z-LINK 2C, 0.6 PITCH, VERTICAL STANDARD, SMT TYPE | mm | A3 | G64 VX2XXXXHR | |
| X.X ±0.20 | CHECKED | Sondra Sang | 12/15/2018 | | | | | |
| X.XXX ±0.10 | APPROVED | Hank Hsu | 12/15/2018 | | | | | |
| ANGULAR ±2° | DWG TYPE | CUST DWG | PROJECT CODE | TXXX | SCALE | NA | SHEET 2 OF 3 | |
| UNLESS OTHERWISE SPECIFIED | | | | | | | DWG No. G64 VX2XXXXHR | REV. AX4 |

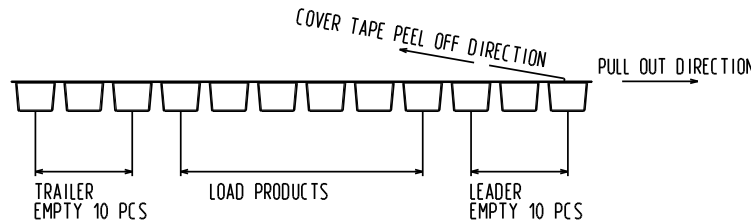
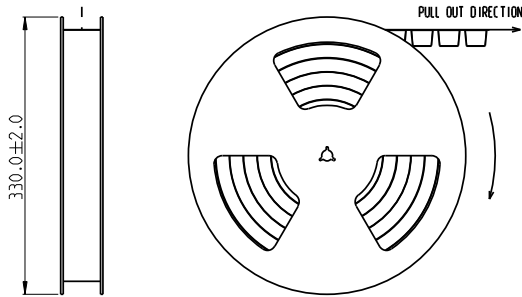
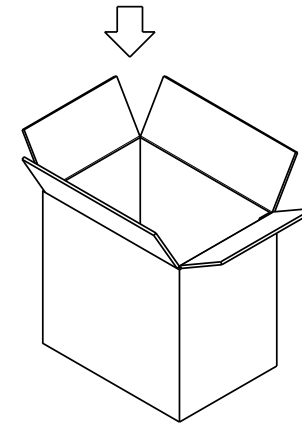
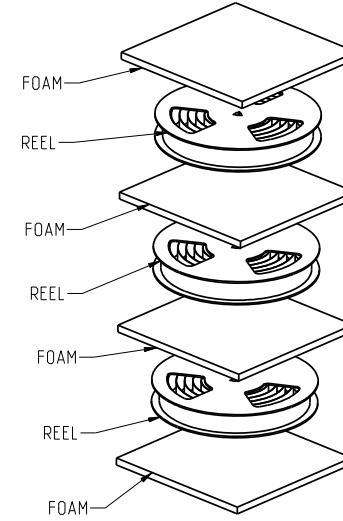
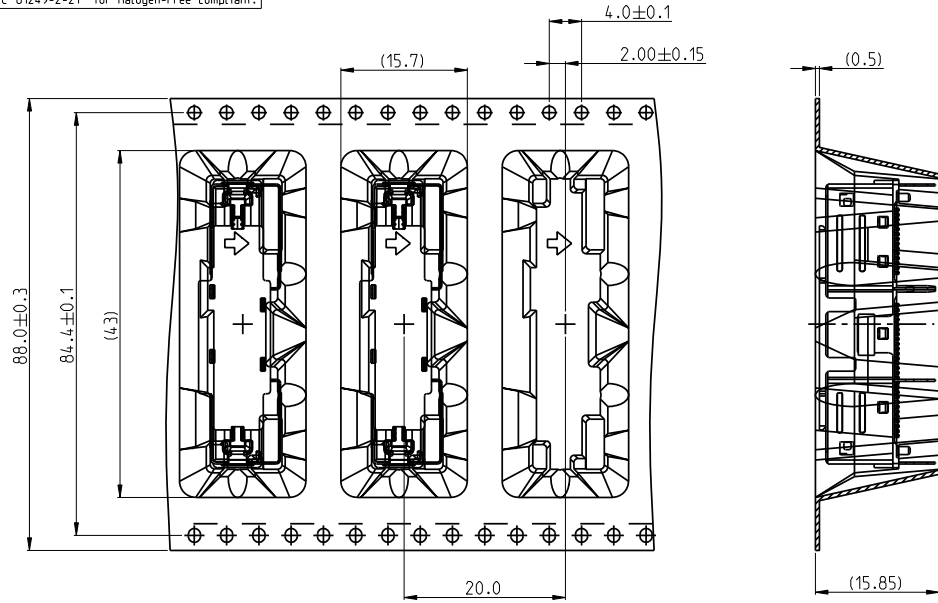
Amphenol®

**Amphenol Corporation
Amphenol Taiwan Corporation**

This document is the property of Amphenol Corporation and is delivered on the express condition that it is not to be disclosed, reproduced or used, in whole or in part, for manufacture or sale by anyone other than Amphenol Corporation without its prior consent, and that no right is granted to disclose or to use any information in this document.

The marking on this product doesn't contain environmental hazardous materials per Material Specification SS-00259 for Sony GP compliant or per directive 2011/65/EU for RoHS compliant or per IEC 61249-2-21 for Halogen-Free compliant.

| REVISIONS | | | | |
|-----------|---------|-------------------------------|------------|---------|
| SYM | ECN No. | DESCRIPTION | DATE | BY |
| AX1 | NA | INITIAL REVISION | 07/23/2018 | JOAN LU |
| AX2 | NA | REVISED DRAWING | 09/12/2018 | JOAN LU |
| AX3 | NA | REVISED DRAWING | 10/30/2018 | JOAN LU |
| AX4 | NA | ADDED CAP AND PACKING DRAWING | 12/14/2018 | JOAN LU |



NOTE 2:

1. CARTON SIZE 340L X 340W X 240H
2. PREFER TO AMTA LABELING STANDARD.
3. CARTON CLOSURES MUST BE SEALED WITH TAPE.

FOR REFERENCE ONLY

NOTE 1:

1. MATERIAL:
CARRIER TAPE: POLYSTYRENE, BLACK
COVER TAPE: TRANSPARENT POLYSTYRENE
REEL: POLYSTYRENE, BLACK
2. ALL TAPE AND REEL SPECIFICATION FOLLOW EIA-481 STANDARD.
3. THIS PRODUCT DOESN'T CONTAIN ENVIRONMENTAL HAZARDOUS PER DIRECTIVE 2002/95/EC FOR ROHS.

| PART NUMBER | REEL (Q'TY) | CARTON (PCS) |
|--------------|-------------|--------------|
| G64VX2XXXXHR | 3 | 600 |

| TOLERANCE | DRAWN | APPROVALS | DATE | TITLE | UNIT | SIZE | PART No. | |
|----------------------------|----------|-------------|--------------|---|-------|------|----------------------|----------|
| X. ±0.30 | DESIGNED | Joan Lu | 12/15/2018 | EXTREMEPORT Z-LINK 2C, 0.6 PITCH, VERTICAL STANDARD, SMT TYPE | mm | A3 | G64VX2XXXXHR | |
| X.X ±0.20 | CHECKED | Sondra Sang | 12/15/2018 | | | | | |
| X.XXX ±0.10 | APPROVED | Hank Hsu | 12/15/2018 | | | | | |
| ANGULAR ±2° | DWG TYPE | CUST DWG | PROJECT CODE | TXXX | SCALE | NA | SHEET 3 OF 3 | |
| UNLESS OTHERWISE SPECIFIED | | | | | | | DWG No. G64VX2XXXXHR | REV. AX4 |

Amphenol®

**Amphenol Corporation
Amphenol Taiwan Corporation**