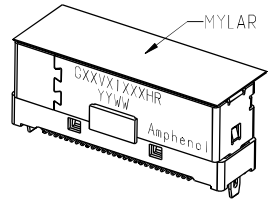
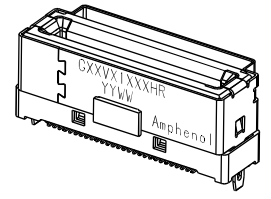
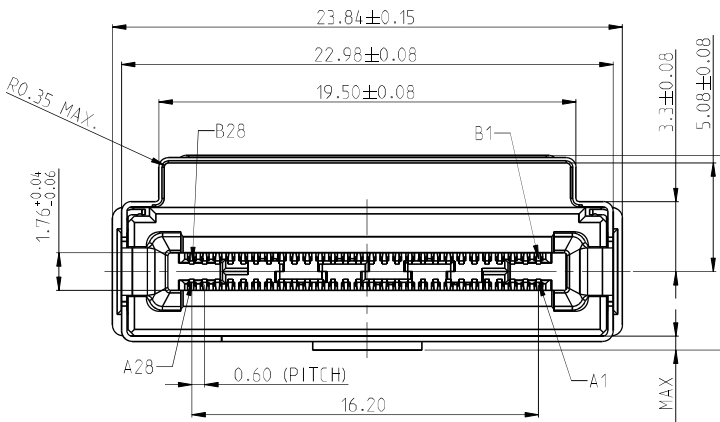


This document is the property of Amphenol Corporation and is delivered on the express condition that it is not to be disclosed, reproduced or used, in whole or in part, for manufacture or sale by anyone other than Amphenol Corporation without its prior consent, and that no right is granted to disclose or to use any information in this document.

The marking on this product doesn't contain environmental hazardous materials per directive 2011/65/EU & 2015/863/EU for RoHS compliant & per IEC 61249-2-21 for Halogen-Free compliant.

REVISIONS				
SYM	ECN No.	DESCRIPTION	DATE	BY
AX5	NA	ADDED PACKAGE DRAWING	06/13/2019	JOAN LU
AX6	NA	UPDATED PACKAGE INFORMATION	07/03/2019	JOAN LU
AX7	NA	UPDATED THE STRUCTURE OF WAFER	06/08/2020	JOAN LU
AX8	NA	ADDED MYLAR DIMENSIONS	11/17/2020	JOAN LU
AX9	NA	ADDED AIC MATING CARD DIMENSIONS	12/14/2020	JOAN LU



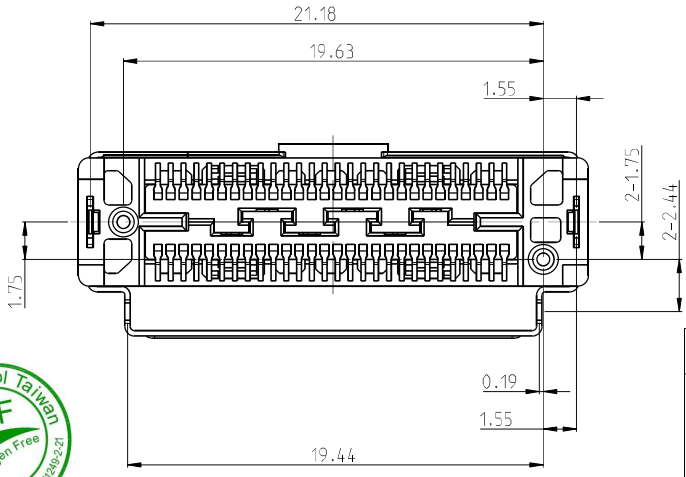
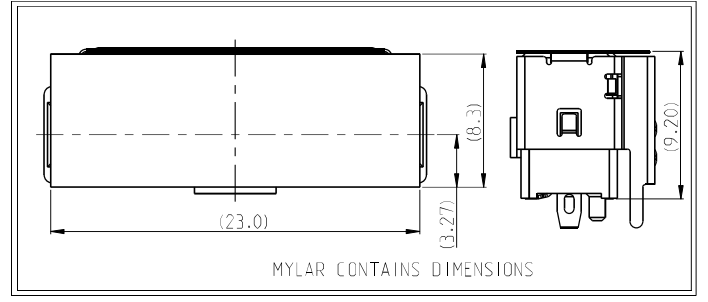
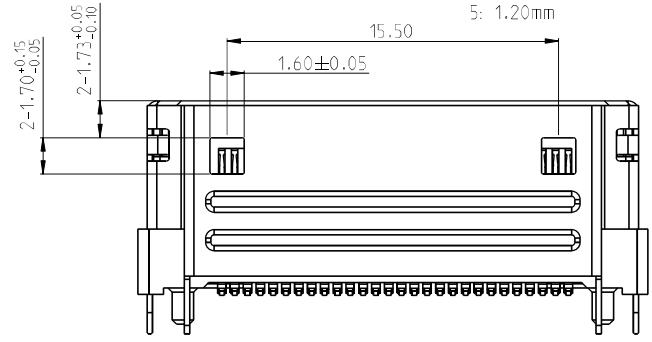
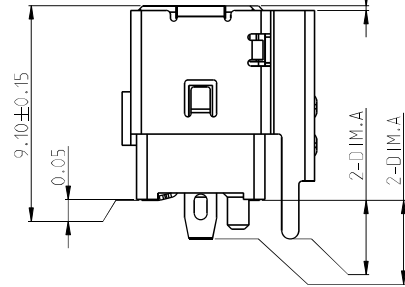
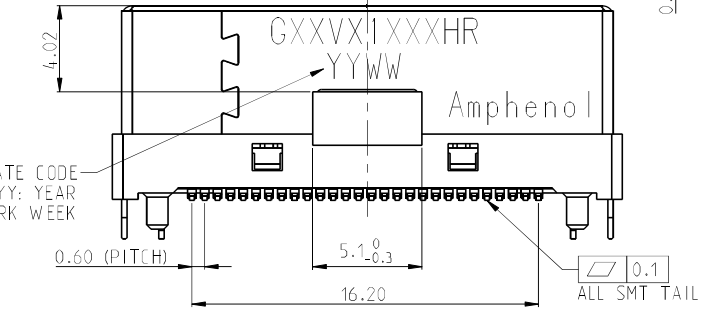
EXTREMEPORT Z-LINK
 VERTICAL TYPE
 CONNECTOR SPEED 3 : 56 G
 CHANNEL/PIN QTY 1: 1C.
 CONTACT FINISH 3: 30u" GOLD

COMPLIANT CODE
 HR: HALOGEN-FREE & RoHS

VARIATION CODE
 BLANK: STANDARD

PACKING CODE
 REFER TO TABLE IN PAGE 3

SHELL PIN LENGTH OPTION(DIM.A)
 1: 1.85mm
 2: 2.50mm
 3: 3.30mm
 4: 4.50mm
 5: 1.20mm

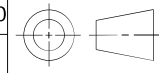


NOTES:
 1. MATERIALS:
 PLASTICS : HIGH TEMPERATURE THERMOPLASTIC UL94-0.
 SHELL : STAINLESS
 CONTACT: COPPER ALLOY
 2. FINISH
 TERMINAL : CONTACT AREA : SELECTED GOLD PLATING
 SOLDER AREA : MATTE TIN PLATING 100u".
 UNDER PLATING: NICKEL PLATING 50u"MIN OVERALL
 SHELL : UNDER PLATING: ELECTROLESS NICKEL PLATING 50u"MIN OVER ALL
 3. THIS PRODUCT DOESN'T CONTAIN ENVIRONMENTAL HAZARDOUS MATERIALS PER DERCTIVE 2011/65/EC & 2015/863/EU FOR RoHS COMPLIANT & PER IEC 61249-2-21 FOR HALOGEN FREE COMPLIANT.
 4. PRODUCT SPEC REFERT TO PS-7716.

TOLERANCE	DRAWN	APPROVALS	DATE	TITLE
X. ±0.30	DESIGNED	Joan Lu	12/14/2020	EXTREMEPORT Z-LINK 1C. 0.6 PITCH, VERTICAL STANDARD, SMT TYPE
X.XX ±0.20	CHECKED	Sondra Sang	12/14/2020	
X.XXX ±0.10	APPROVED	Hank Hsu	12/14/2020	
ANGULAR ±2°	DWG TYPE	CUST DWG	PROJECT CODE TXXX	

UNIT	SIZE	PART No.
MM	A3	G64VX1XXXHR
SCALE	SHEET	DWG No.
NA	1 OF 3	G64VX1XXXHR

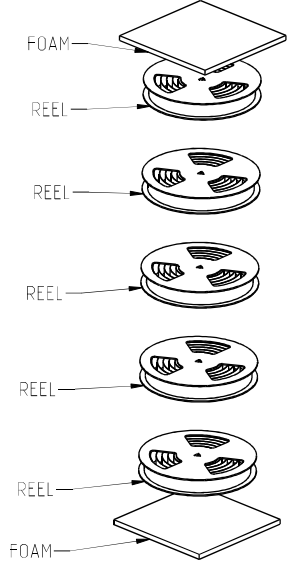
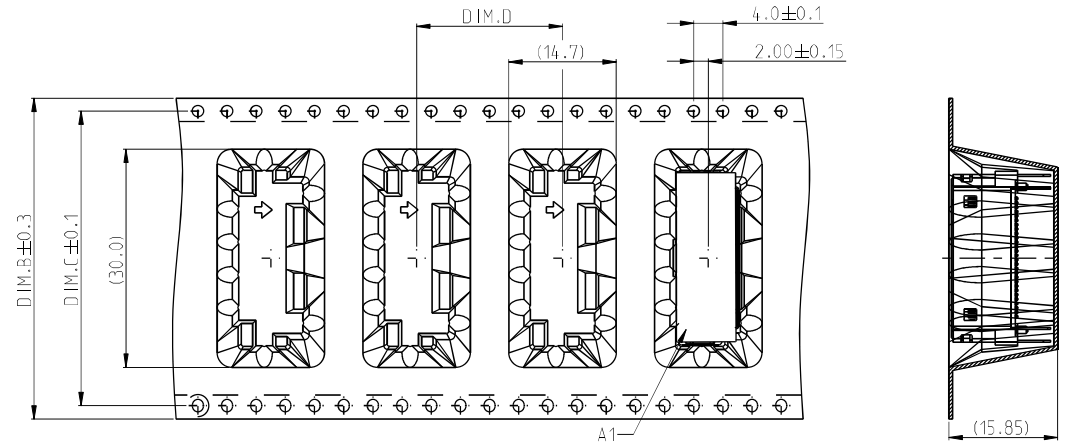
REV.
AX9



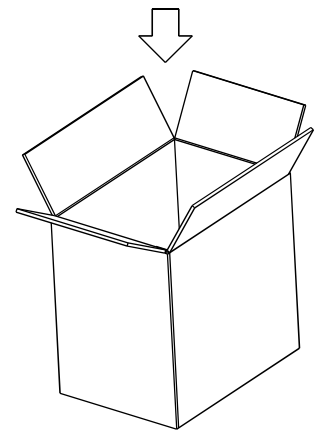
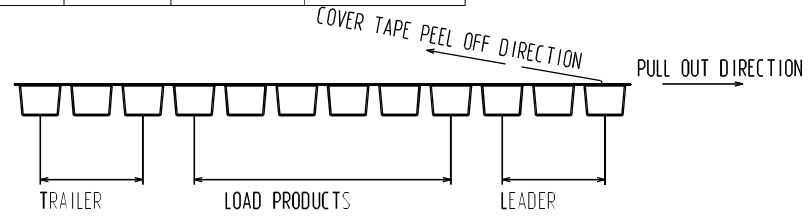
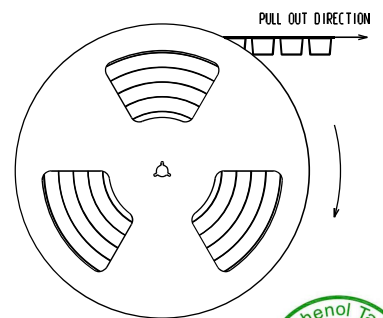
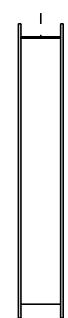
This document is the property of Amphenol Corporation and is delivered on the express condition that it is not to be disclosed, reproduced or used, in whole or in part, for manufacture or sale by anyone other than Amphenol Corporation without its prior consent, and that no right is granted to disclose or to use any information in this document.

The marking on this product doesn't contain environmental hazardous materials per Material Specification SS-00259 for Sony GP compliant or per directive 2011/65/EU for RoHS compliant or per IEC 61249-2-21 for Halogen-Free compliant.

REVISIONS				
SYM	ECN No.	DESCRIPTION	DATE	BY
AX5	NA	ADDED PACKAGE DRAWING	06/13/2019	JOAN LU
AX6	NA	UPDATED PACKAGE INFORMATION	07/03/2019	JOAN LU
AX7	NA	UPDATED THE STRUCTURE OF WAFER	06/08/2020	JOAN LU
AX8	NA	ADDED MYLAR DIMENSIONS	11/17/2020	JOAN LU
AX9	NA	ADDED AIC MATING CARD DIMENSIONS	12/14/2020	JOAN LU



PART NUMBER	PACKING CODE	PACKING TYPE	DIM. B	DIM.C	DIM.D	REEL (Q'TY)	CARTON (PCS)	PICK AND PLACE
G64VX1XX2HR	2	TAPE AND REEL	44	40.4	24	5	900	WITH MYLAR
G64VX1XXBHR	B	TAPE AND REEL	44	40.4	24	5	900	NONE
G64VX1XX4HR	4	TAPE AND REEL	44	40.4	20	5	1000	WITH MYLAR



- NOTE 2:
1. CARTON SIZE
340L X 340W X 265H
 2. PREFER TO AMTA LABELING STANDARD.
 3. CARTON CLOSURES MUST BE SEALED WITH TAPE.

- NOTE 1:
- 1.MATERIAL:
CARRIER TAPE: POLYSTYRENE, BLACK
COVER TAPE: TRANSPARENT POLYSTYRENE
REEL: POLYSTYRENE, BLACK
 - 2.ALL TAPE AND REEL SPECIFICATION FOLLOW EIA-481 STANDARD.
 - 3.THIS PRODUCT DOESN'T CONTAIN ENVIRONMENTAL HAZARDOUS PER DIRECTIVE 2002/95/EC FOR RoHS.



TOLERANCE	DRAWN APPROVALS	DATE	TITLE	UNIT	SIZE	PART No.
X. X.X ±0.30 X.XX ±0.20 X.XXX ±0.10	DESIGNED Joan Lu	12/14/2020	EXTREMEPORT Z-LINK 1C, 0.6 PITCH, VERTICAL STANDARD, SMT TYPE	MM	A3	G64VX1XXXHR
	CHECKED Sondra Sang	12/14/2020				
ANGULAR ±2°	APPROVED Hank Hsu	12/14/2020		NA	SHEET 3 OF 3	DWG No. G64VX1XXXHR
UNLESS OTHERWISE SPECIFIED	DWG TYPE CUST DWG	PROJECT CODE TXXX				

Amphenol®
Amphenol Corporation
Amphenol Taiwan Corporation