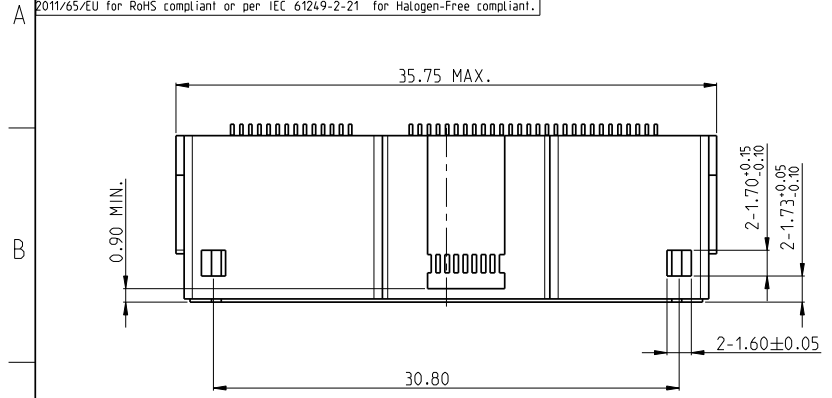


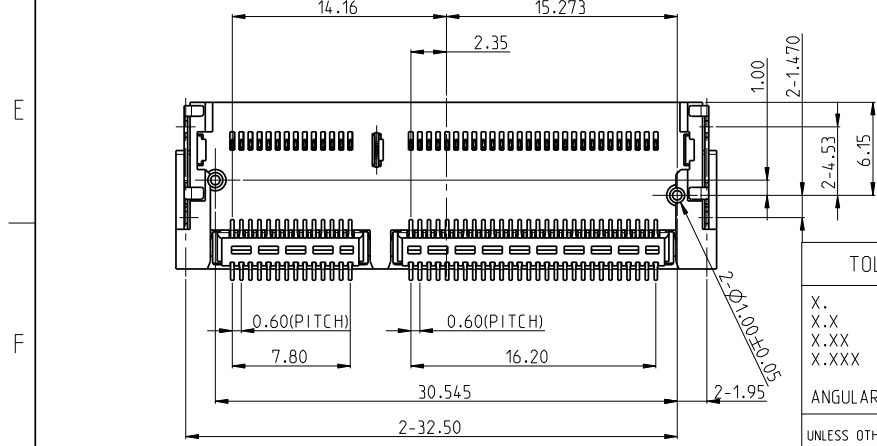
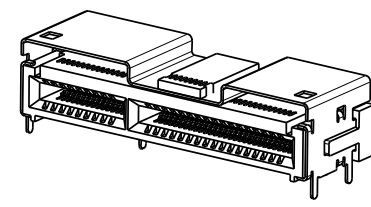
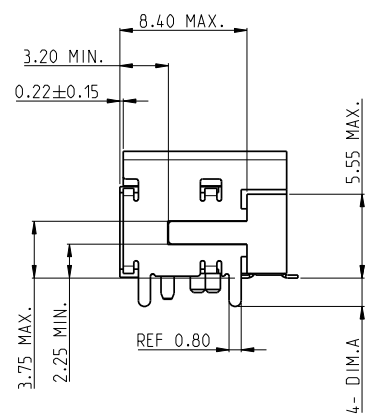
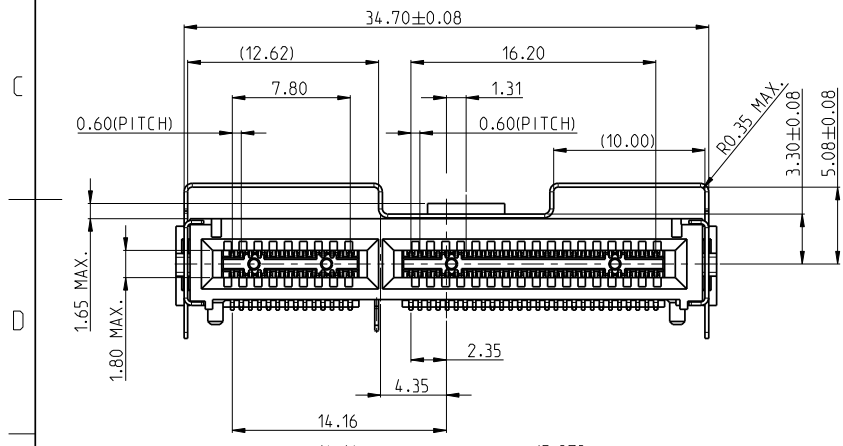
This document is the property of Amphenol Corporation and is delivered on the express condition that is not to be disclosed, reproduced or used, in whole or in part, for manufacture or sale by anyone other than Amphenol Corporation without its prior consent, and that no right is granted to disclose or to use any information in this document.

The marking on this product doesn't contain environmental hazardous materials per Material Specification SS-00259 for Sony GP compliant or per directive 2011/65/EU for RoHS compliant or per IEC 61249-2-21 for Halogen-Free compliant.

REVISIONS				
SYM	ECN No.	DESCRIPTION	DATE	APPROVED
AX1	NA	INITIAL REVISION	09/17/2018	JOAN LU

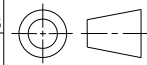


G64 R X 4 X X X X HR  
 MINI COOL EDGE 10 Z SERIES  
 RIGHT ANGLE TYPE  
 CONNECTOR SPEED  
 3 : 56 G  
 CHANNEL/PIN QTY  
 2: 2C  
 CONTACT FINISH  
 3: 30u" GOLD  
 COMPLIANT CODE  
 HR: HALOGEN-FREE & RoHS  
 VARIATION CODE  
 BLANK: STANDARD  
 PACKING CODE  
 2: TAPE AND REEL  
 SHELL PIN LENGTH OPTION(DIM.A)  
 1: 1.85mm



**FOR REFERENCE ONLY**



TOLERANCE	DRAWN	APPROVALS	DATE	TITLE	Amphenol® Amphenol Corporation Amphenol Taiwan Corporation			
X. ±0.30 X.X ±0.20 X.XX ±0.10 X.XXX ±0.10	DESIGNED	Joan Lu	09/27/2018	MINI COOL EDGE 10 Z SERIES 2C, 0.6 PITCH, RIGHT ANGLE STANDARD, SMT TYPE	PART No. G64RX2XXXXHR			
ANGULAR ±2°	CHECKED	Sondra Sang	09/27/2018	 UNIT mm SIZE A3 SCALE NA SHEET 1 OF 2	DWG No. G64RX2XXXXHR			REV. AX1
UNLESS OTHERWISE SPECIFIED	APPROVED	Hank Hsu	09/27/2018		PROJECT CODE TXXX			
	DWG TYPE	CUST DWG						

