

AMPHENOL PART NUMBER CONFIGURATION

U95 - A 1 X 1 - 1 X X X

HEAT SINK OPTION

- 1 = NO HEAT SINK OR CLIP SHIPPED
- 5 = ROUND PIN STYLE (H=6.5mm; SAN HEIGHT)--(NOT AVAILABLE WITH QUAD LIGHT PIPE)
- 6 = ROUND PIN STYLE (H=4.2mm; PCI HEIGHT)--(NOT AVAILABLE WITH QUAD LIGHT PIPE)
- 7 = ROUND PIN STYLE (H=13.5mm; TALL)--(NOT AVAILABLE WITH QUAD LIGHT PIPE)
- A = SQUARE PIN STYLE (H=6.5mm; SAN HEIGHT)
- B = SQUARE PIN STYLE (H=4.2mm; PCI HEIGHT)
- C = SQUARE PIN STYLE (H=13.5mm; TALL)
- N = PIN-FIN STYLE FOR SIDE TO SIDE AIR FLOW (H=6.5mm; SAN HEIGHT)
- P = PIN-FIN STYLE FOR SIDE TO SIDE AIR FLOW (H=4.2mm; PCI HEIGHT)
- R = PIN-FIN STYLE FOR SIDE TO SIDE AIR FLOW (H=13.5mm; TALL)
- Y = EXTRUDED FIN STYLE FOR FRONT - BACK AIR FLOW (H=6.94mm)
- W = EXTRUDED FIN STYLE FOR FRONT - BACK AIR FLOW (H=8.72mm)

NOTE: FOR DIMENSION "H" SEE SHEET 2

PACKAGING OPTION

- 1 = TRAY PACKAGING (LIGHT PIPE AND/OR HEAT SINK SHIPPED LOOSE IF ORDERED)
- A = TRAY PACKAGING (LIGHT PIPE AND/OR HEAT SINK ASSEMBLED TO THE CAGET)

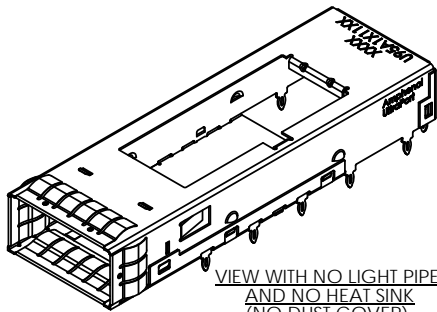
OPTIONAL LIGHT PIPE

- 0 = NO LIGHT PIPE
- 1 = DUAL BARREL LIGHT PIPE - ROUND OUTLET
- 7 = SINGLE BARREL LIGHT PIPE - ROUND OUTLET
- 4 = QUAD BARREL LIGHT PIPE - ROUND OUTLET

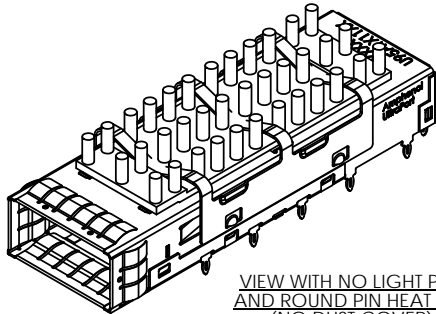
OPTIONAL DUST COVER (CONDUCTIVE)

- 0 = WITHOUT DUST COVER
- D = WITH DUST COVER (SHIPPED LOOSE PIECE)

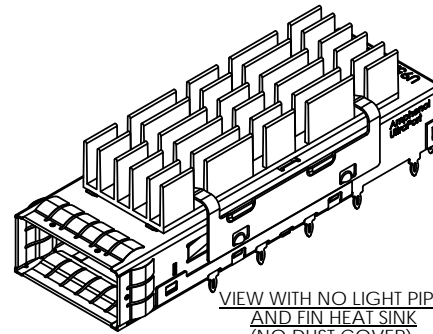
REVISIONS			
REV	DESCRIPTION, ECN, EAR NO.	DATE	APP'D
C	PCB LAYOUT DIMENSIONS UPDATED	OCT. 16/14	AC
D	NEW HEAT SINK OPTIONS ADDED	JAN. 16/15	AC
E	PCB FRONT EDGE NOTE ADDED	APR 21/15	AC
F	COMPLIANT PIN LEAD IN TIP SHORTENED FOR THINNER B2B PCB APPLICATION	JULY 9/15	AC
G	ADDED NEW VIEW	SEP 07/16	AC
H	ADDED INK MARK	FEB 24/16	AC



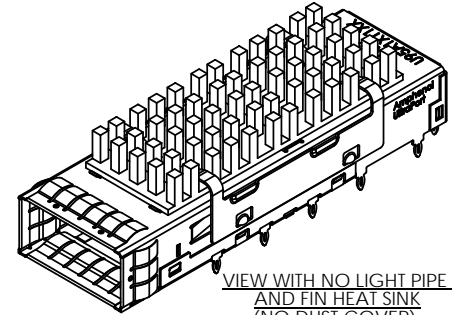
VIEW WITH NO LIGHT PIPE AND NO HEAT SINK (NO DUST COVER) (P/N U95-A111-1001)



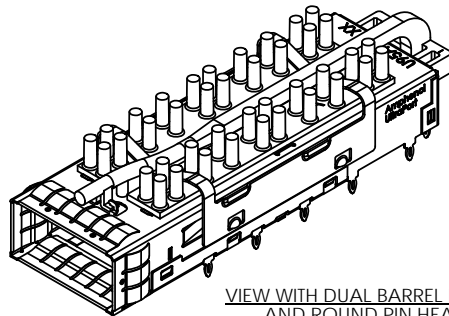
VIEW WITH NO LIGHT PIPE AND ROUND PIN HEAT SINK (NO DUST COVER) (P/N U95-A151-100A)



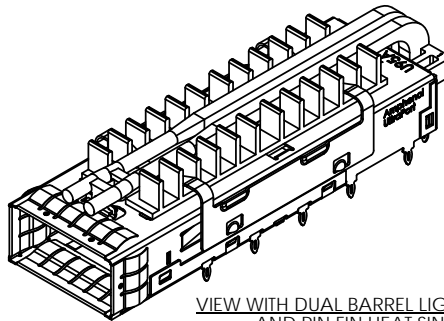
VIEW WITH NO LIGHT PIPE AND FIN HEAT SINK (NO DUST COVER) (P/N U95-A1W1-100A)



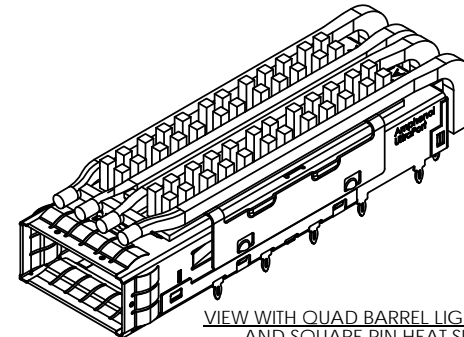
VIEW WITH NO LIGHT PIPE AND FIN HEAT SINK (NO DUST COVER) (P/N U95-A1A1-100A)



VIEW WITH DUAL BARREL LIGHT PIPE AND ROUND PIN HEAT SINK (NO DUST COVER) (P/N U95-A151-107A)



VIEW WITH DUAL BARREL LIGHT PIPE AND PIN FIN HEAT SINK (NO DUST COVER) (P/N U95-A1N1-101A)



VIEW WITH QUAD BARREL LIGHT PIPE AND SQUARE PIN HEAT SINK (NO DUST COVER) (P/N U95-A1A1-104A)

SCALE 1 : 1

CONDUCTIVE DUST COVER SHOWN (OPTIONAL) (SHIPPED LOOSE) (P/N U79-111-9000-P)



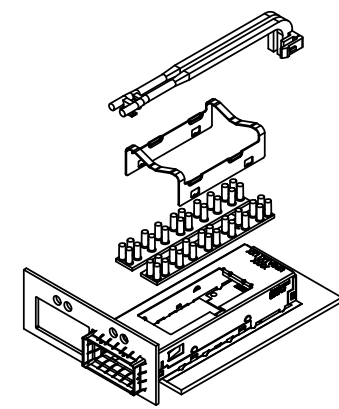
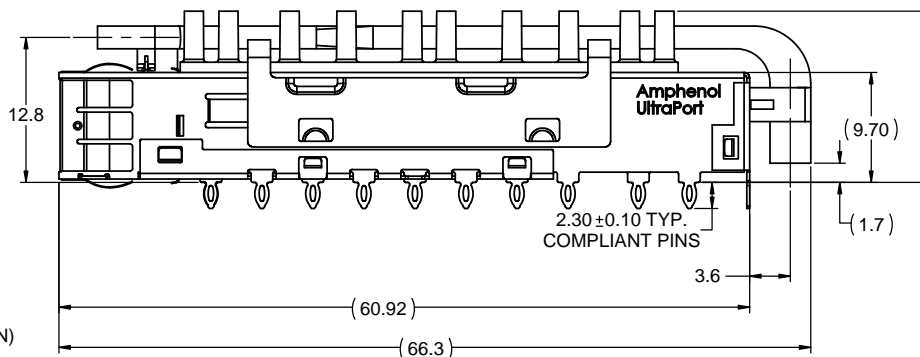
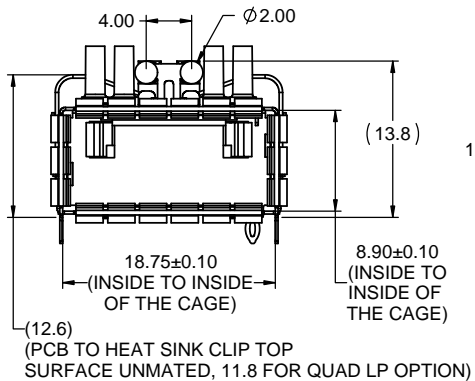
THIS DOCUMENT CONTAINS PROPRIETARY INFORMATION AND SUCH INFORMATION MAY NOT BE DISCLOSED TO OTHERS FOR ANY PURPOSE OR USED FOR MANUFACTURING PURPOSES WITHOUT WRITTEN PERMISSION FROM AMPHENOL CANADA CORP.

UNLESS SPECIFIED OTHERWISE		DRAWN	J.R.	SEP 05/14
UNIT	MILLIMETERS	CHECKED	A.C.	SEP 05/14
REFERENCE IN PARENTHESES		M.E.	APP'D	
		Q.A.	APP'D	
GENERAL TOLERANCES		DWG.	APP'D	
1 DECIMAL PLACE	±0.2	ENG.	REL. NO.	-
2 DECIMAL PLACES	±0.15	REF.		
ANGULAR DEGREES	±1°	THIRD ANGLE PROJECTION		
		DO NOT SCALE DRAWING		

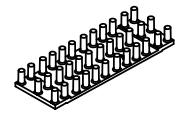
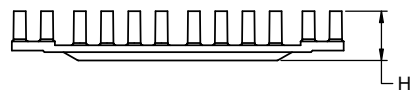
Amphenol High Speed Interconnects  
A Division of Amphenol Corp. www.amphenol-highspeed.com

UltraPort QSFP 1X1 CAGE ASSEMBLY THRU BEZEL ONE REAR PIN WITH HEAT SINK AND LIGHT PIPE OPTIONS

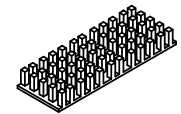
DWG. NO.	P-U95-A1X1-1XXX	REV	H
CODE ID NO.	03554	DWG SIZE:	C
SCALE:	2:1	SHEET 1 OF 5	



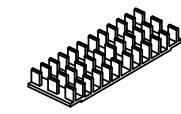
VIEW WITH DUAL BARREL LIGHT PIPE  
AND ROUND PIN HEAT SINK  
(NO DUST COVER)  
(P/N U95-A151-101A)



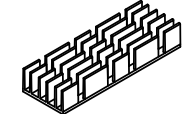
ROUND PIN STYLE WITHOUT LP  
(FOR REFERENCE ONLY)



SQUARE PIN STYLE WITHOUT LP  
(FOR REFERENCE ONLY)

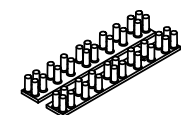


PIN FIN STYLE WITHOUT LP  
(FOR REFERENCE ONLY)

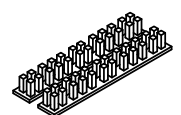


FIN STYLE WITHOUT LP  
(FOR REFERENCE ONLY)

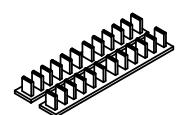
PART NUMBER	DIM "J"	DIM "H"
U95-A15(N,A)1-1XXX	15.10	6.50
U95-A16(P, B)1-1XXX	12.80	4.20
U95-A17(R, C)1-1XXX	22.10	13.50
U95-A1Y1-1XXX	15.54	6.94
U95-A1W1-1XXX	17.32	8.72



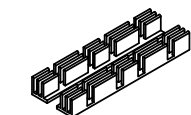
ROUND PIN STYLE WITH LP  
(FOR REFERENCE ONLY,  
LAYOUT MAY VARY W/ LP OPTION)



SQUARE PIN STYLE WITH LP  
(FOR REFERENCE ONLY,  
LAYOUT MAY VARY W/ LP OPTION)



PIN FIN STYLE WITH LP  
(FOR REFERENCE ONLY,  
LAYOUT MAY VARY W/ LP OPTION)



FIN STYLE WITH LP  
(FOR REFERENCE ONLY,  
LAYOUT MAY VARY W/ LP OPTION)

NOTES:

- MATERIAL:  
CAGE AND EMI SPRINGS: COPPER ALLOY  
CAGE PLATING: 2.54µm [100µ"] MIN. NICKEL.  
LIGHT PIPE: GE LEXAN RESIN, CLEAR OPTICAL GRADE  
HEAT SINK: ALUMINUM ALLOY, NICKEL PLATED  
HEAT SINK CLIP: STAINLESS STEEL  
DUST COVER: CONDUCTIVE RUBBER
- DUST COVER IS SHIPPED AS A LOOSE PIECE IF ORDERED.
- DIMENSION "J" IS IN THE UNPLUGGED STATE

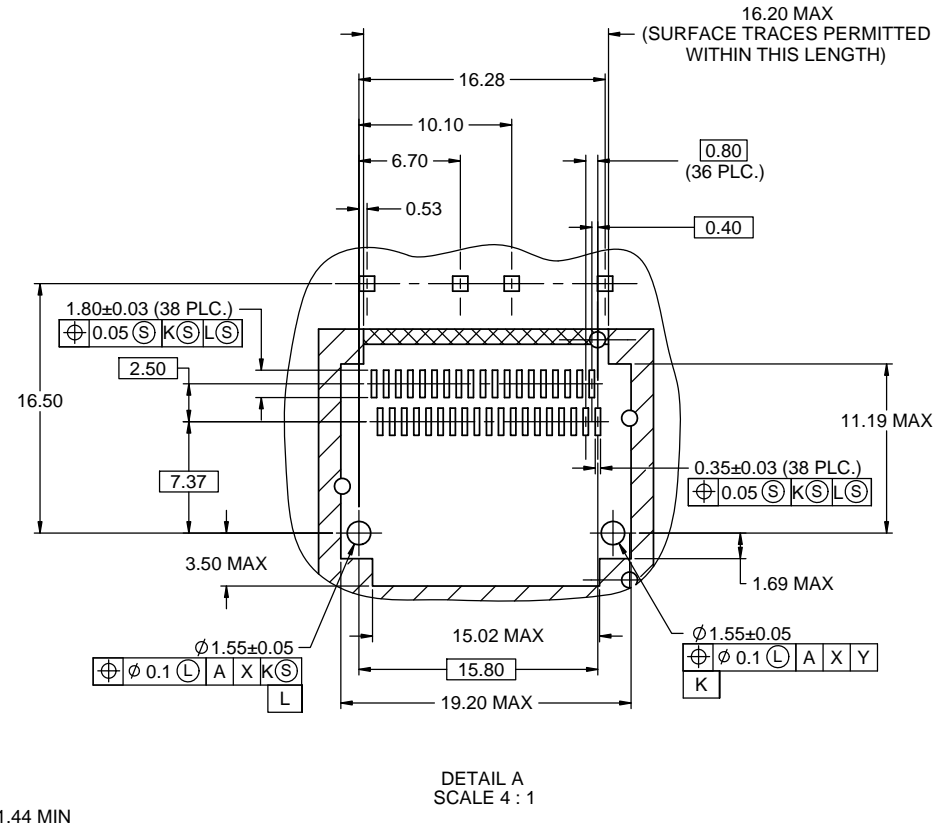
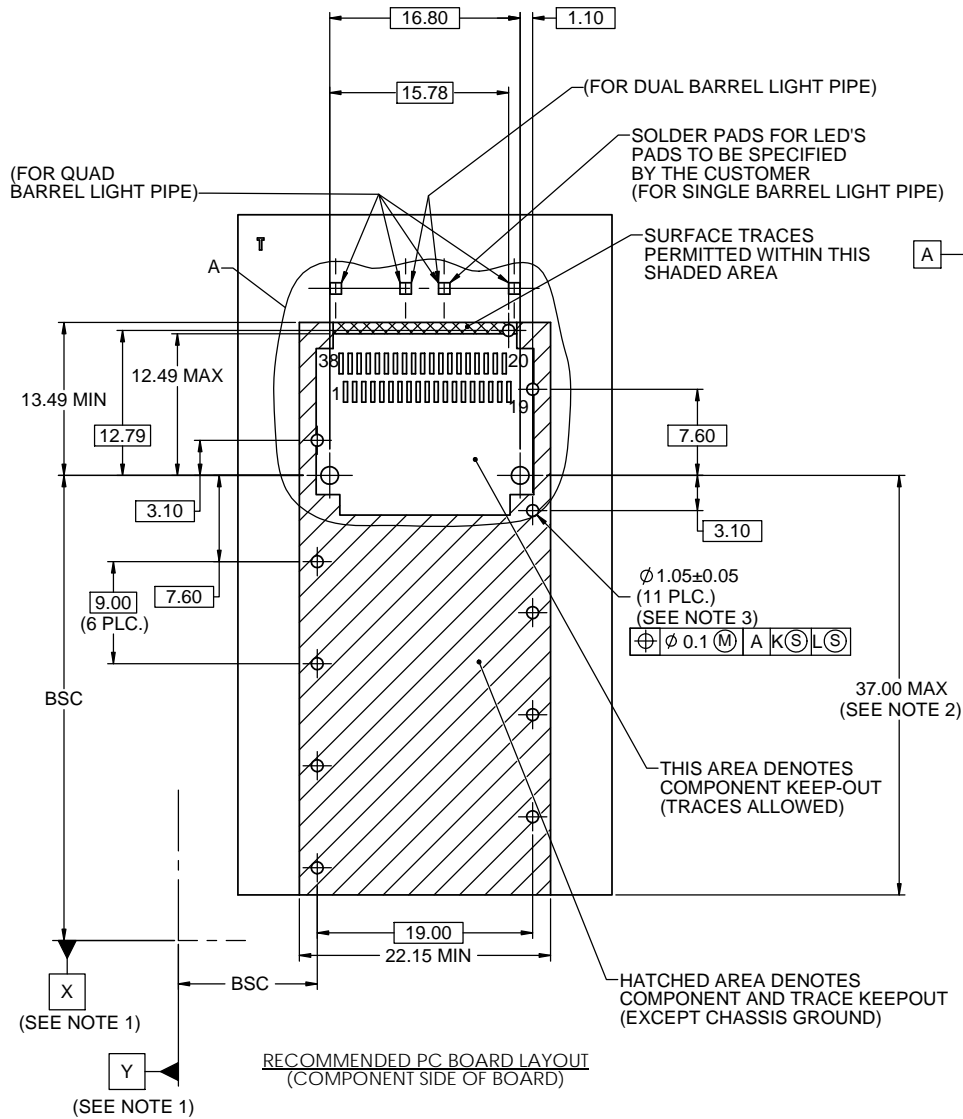
UNLESS SPECIFIED OTHERWISE		DRAWN	J.R.	SEP 05/14
UNIT		CHECKED	A.C.	SEP 05/14
REFERENCE IN PARENTHESES		M.E. APP'D		
		Q.A. APP'D		
GENERAL TOLERANCES		DWG. APP'D		
1 DECIMAL PLACE	±0.2	ENG. REL. NO.	-	
2 DECIMAL PLACES	±0.15	REF.		
ANGULAR DEGREES	±1°	THIRD ANGLE PROJECTION		DO NOT SCALE DRAWING

**Amphenol High Speed Interconnects**  
A Division of Amphenol Corp. [www.amphenol-highspeed.com](http://www.amphenol-highspeed.com)

**UltraPort QSFP 1X1 CAGE ASSEMBLY  
THRU BEZEL ONE REAR PIN  
WITH HEAT SINK AND LIGHT PIPE OPTIONS**

DWG. NO. **P-U95-A1X1-1XXX** REV **H**

CODE ID NO. **03554** DWG SIZE: **C** SCALE: **3:1** SHEET **2** OF **5**

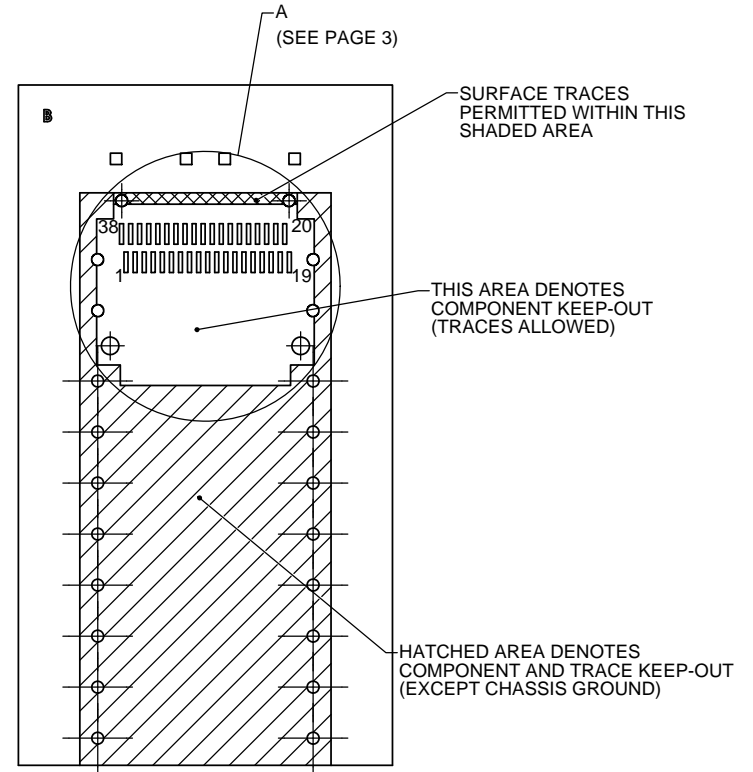
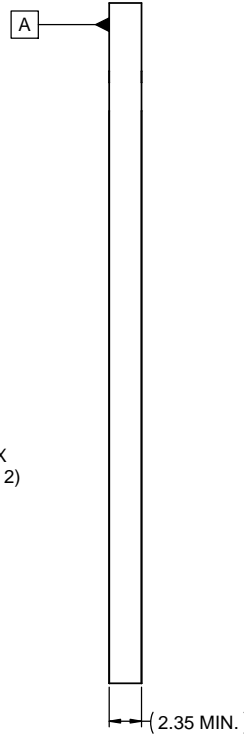
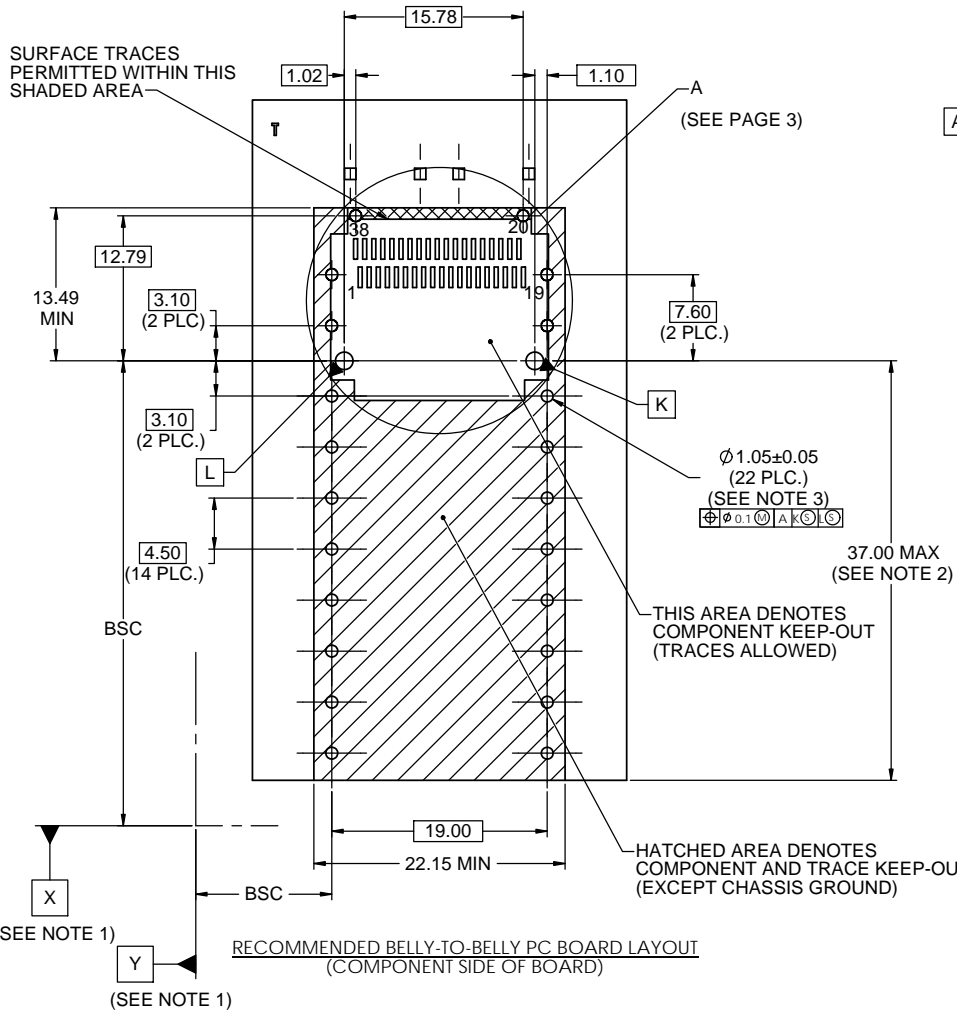


NOTES:

- DATUMS X AND Y ESTABLISHED BY CUSTOMER'S FIDUCIAL.
- LOCATION OF EDGE OF PCB IS APPLICATION SPECIFIC.
- FINISHED HOLE SIZE.

THIS DOCUMENT CONTAINS PROPRIETARY INFORMATION AND SUCH INFORMATION MAY NOT BE DISCLOSED TO OTHERS FOR ANY PURPOSE OR USED FOR MANUFACTURING PURPOSES WITHOUT WRITTEN PERMISSION FROM AMPHENOL CANADA CORP.

UNLESS SPECIFIED OTHERWISE	DRAWN	J.R.	SEP 05/14	<b>Amphenol High Speed Interconnects</b> A Division of Amphenol Corp. <a href="http://www.amphenol-highspeed.com">www.amphenol-highspeed.com</a>		
UNIT	MILLIMETERS	CHECKED	A.C.		SEP 05/14	
REFERENCE IN PARENTHESES	M.E. APP'D	Q.A. APP'D		UltraPort QSFP 1X1 CAGE ASSEMBLY THRU BEZEL ONE REAR PIN WITH HEAT SINK AND LIGHT PIPE OPTIONS		
GENERAL TOLERANCES	DWG APP'D	ENG. REL. NO.	-			
1 DECIMAL PLACE	±0.2	REF.		DWG. NO.		
2 DECIMAL PLACES	±0.15	THIRD ANGLE PROJECTION	DO NOT SCALE DRAWING	<b>P-U95-A1X1-1XXX</b>	REV <b>H</b>	
ANGULAR DEGREES	±1°	CODE ID NO.	03554	DWG SIZE: C	SCALE: 3:1	SHEET 3 OF 5



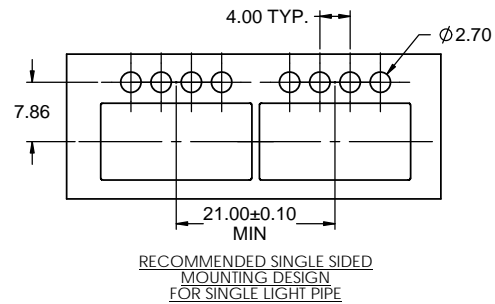
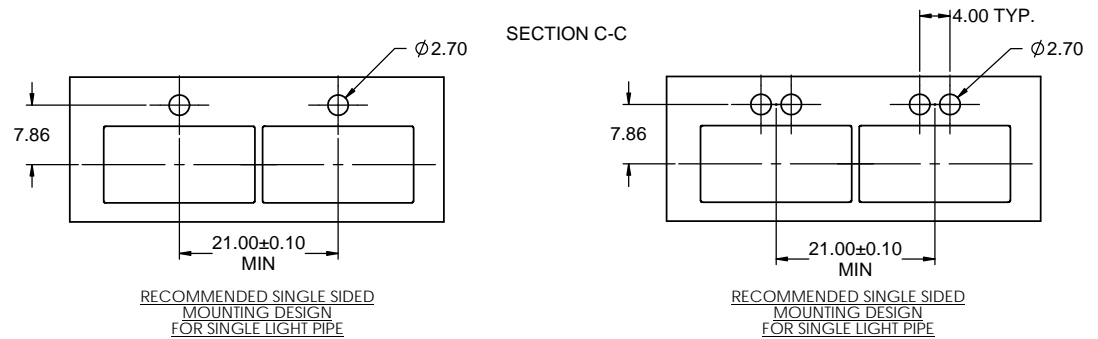
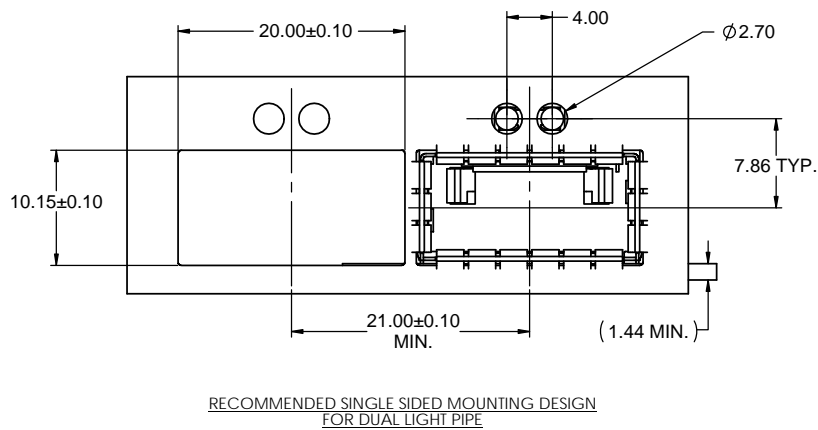
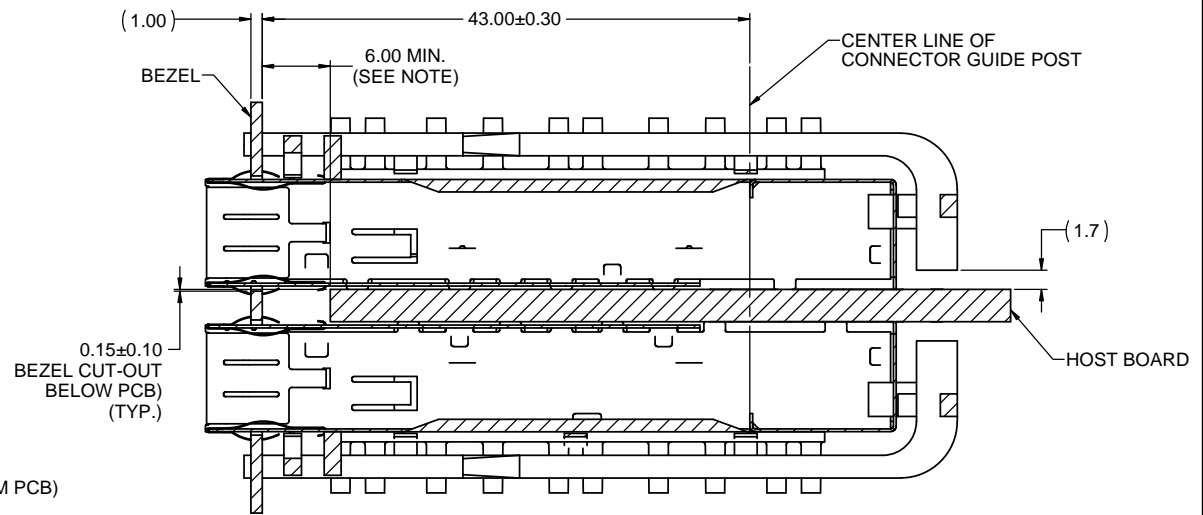
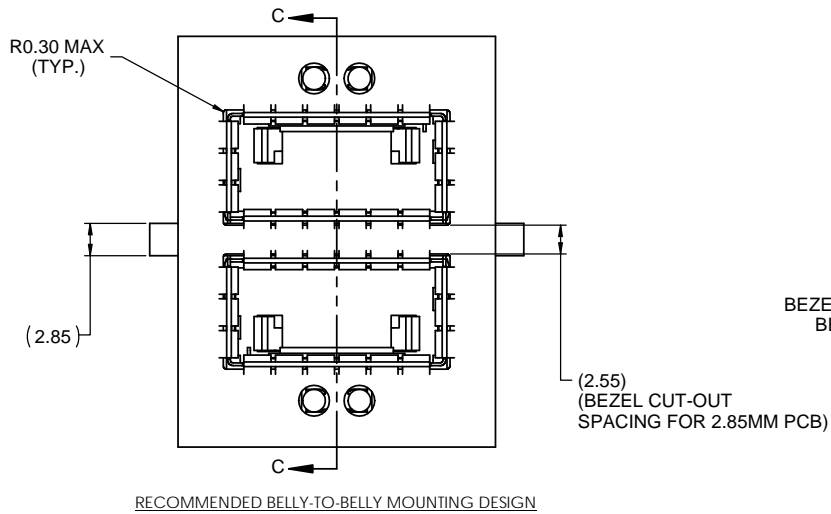
**NOTES:**

1. DATUMS X AND Y ESTABLISHED BY CUSTOMER'S FIDUCIAL.
2. LOCATION OF EDGE OF PCB IS APPLICATION SPECIFIC.
3. FINISHED HOLE SIZE.

THIS DOCUMENT CONTAINS PROPRIETARY INFORMATION AND SUCH INFORMATION MAY NOT BE DISCLOSED TO OTHERS FOR ANY PURPOSE OR USED FOR MANUFACTURING PURPOSES WITHOUT WRITTEN PERMISSION FROM AMPHENOL CANADA CORP.

UNLESS SPECIFIED OTHERWISE	DRAWN	J.R.	SEP 05/14
UNIT	CHECKED	A.C.	SEP 05/14
REFERENCE IN PARENTHESES	M.E. APP'D		
	Q.A. APP'D		
GENERAL TOLERANCES	DWG APP'D		
1 DECIMAL PLACE	ENG. REL. NO.	-	
2 DECIMAL PLACES	REF.		
ANGULAR DEGREES	THIRD ANGLE PROJECTION		
	DO NOT SCALE DRAWING		

<b>Amphenol High Speed Interconnects</b> A Division of Amphenol Corp. <a href="http://www.amphenol-highspeed.com">www.amphenol-highspeed.com</a>			
<b>UltraPort QSFP 1X1 CAGE ASSEMBLY THRU BEZEL ONE REAR PIN WITH HEAT SINK AND LIGHT PIPE OPTIONS</b>			
DWG. NO.			REV
<b>P-U95-A1X1-1XXX</b>			<b>H</b>
CODE ID NO.	03554	DWG SIZE: C	SCALE: 3:1
			SHEET 4 OF 5



NOTES:  
LOCATION OF EDGE OF PCB IS APPLICATION SPECIFIC.

THIS DOCUMENT CONTAINS PROPRIETARY INFORMATION AND SUCH INFORMATION MAY NOT BE DISCLOSED TO OTHERS FOR ANY PURPOSE OR USED FOR MANUFACTURING PURPOSES WITHOUT WRITTEN PERMISSION FROM AMPHENOL CANADA CORP.

UNLESS SPECIFIED OTHERWISE		DRAWN	J.R.	SEP 05/14
UNIT	MILLIMETERS	CHECKED	A.C.	SEP 05/14
REFERENCE IN PARENTHESES		M.E. APP'D		
		Q.A. APP'D		
GENERAL TOLERANCES		DWG. APP'D		
1 DECIMAL PLACE	±0.2	ENG. REL. NO.		
2 DECIMAL PLACES	±0.15	REF.		
ANGULAR DEGREES	±1°	THIRD ANGLE PROJECTION		DO NOT SCALE DRAWING

<b>Amphenol High Speed Interconnects</b> A Division of Amphenol Corp. <a href="http://www.amphenol-highspeed.com">www.amphenol-highspeed.com</a>			
<b>UltraPort QSFP 1X1 CAGE ASSEMBLY THRU BEZEL ONE REAR PIN WITH HEAT SINK AND LIGHT PIPE OPTIONS</b>			
DWG. NO.			REV
<b>P-U95-A1X1-1XXX</b>			<b>H</b>
CODE ID. NO.	03554	DWG. SIZE: C	SCALE: 3:1
			SHEET 5 OF 5