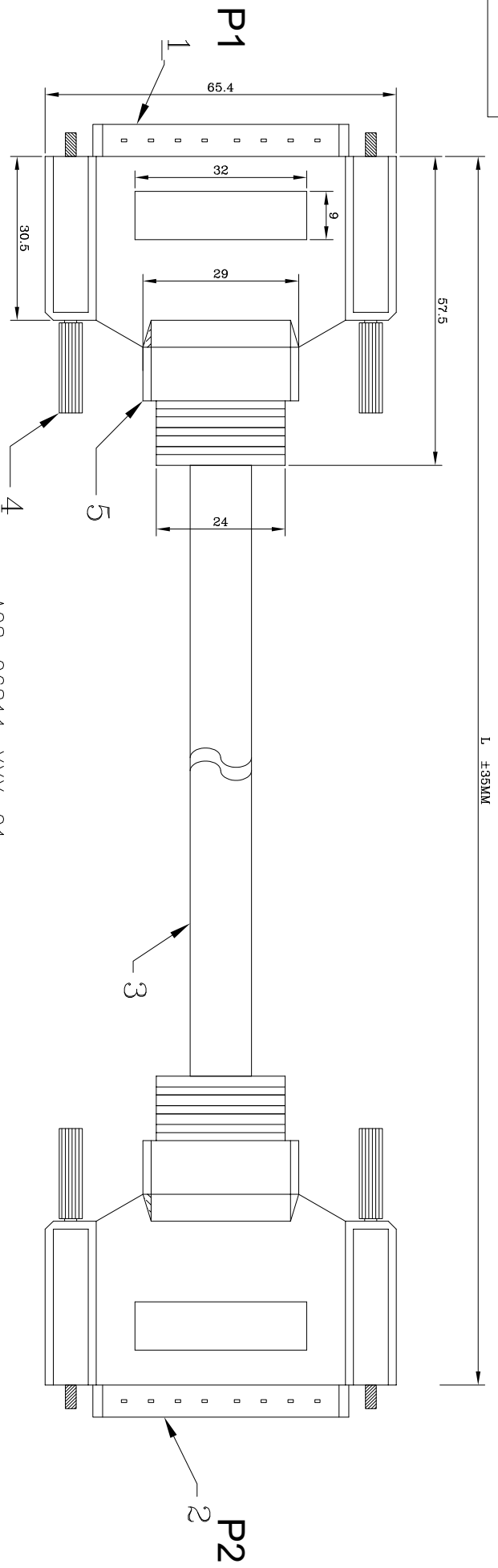


ROHS



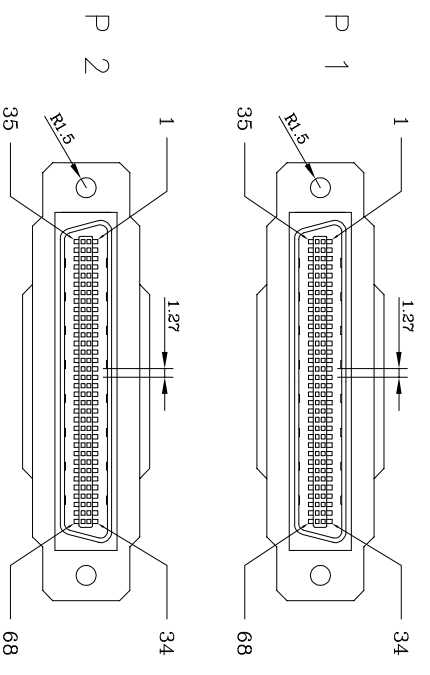
A08-06811-XXX-01

Length
 005 = 0.5M
 010 = 1.0M
 100 = 10.0M

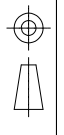
PIN ASSIGNMENT

	P1	SIGNAL	P2
1			1
2			2
3			3
4~65			4~65
66			66
67			67
68			68
			Shell

- NOTES:
1. ELECTRICAL TEST: 100% OPEN, SHORT & MISS WIRE TEST.
 2. CONDUCTOR RESISTANCE: 5 OHMS MAX.
 3. INSULATOR RESISTANCE: 1M OHMS MIN, DC 300V 0.01sec.
 4. THIS PRODUCT MEET ROHS STANDARD ENVIRONMENTAL PROTECTION POLICY.



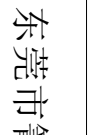
QUALITY SYMBOLS
 ■ : CRITICAL
 □ : MAJOR
 ▽ : ZERO DEFECT S.P.C



UNIT	SCALE	TOLERANCES
mm	2:1	DIM. ±0.10 ANGLE: ±1°

ITEM	PART NAME	DESCRIPTION
1	CONNECTOR	SCSI CN 68P MALE Connector
2	CONNECTOR	SCSI CN 68P MALE Connector
3	CABLE	UL20276 28AWG*34P+AL+BRAID PVC JACKET COLOR:BLACK OD=10.00mm
4	SCREW	SCREW M2.6 NI
5	OVERMOLD	

APPROVED



APPROVED	CHECKED	DESIGN	DRAWN	PART NO.	DESCRIPTION
				A08-06811-XXX-01	A08-06811-XXX-01

DESCRIPTION	SCSI MDR 68Pin CABLE Molding Type
DRAWING NO.	

REV	DESCRIPTION	DATE	ZERO DEFECT	S.P.C	DESCRIPTION	PART NO.	SHT	REV
A	图面发行	2014-10-20				A08-06811-XXX-01	1/1	A

THIS DRAWING CONTAINS INFORMATION THAT IS PROPRIETARY TO KinKuo INCORPORATED AND SHOULD NOT BE USED WITHOUT WRITTEN REMISSION.

东莞市箐围电子有限公司