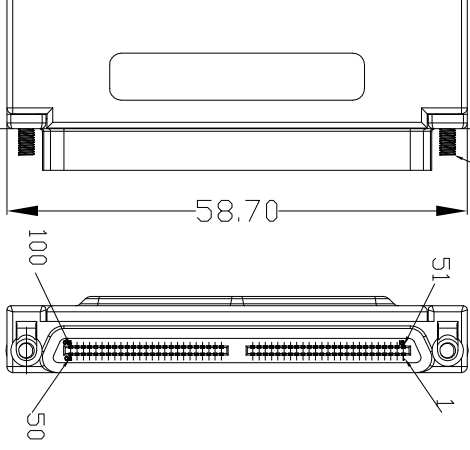
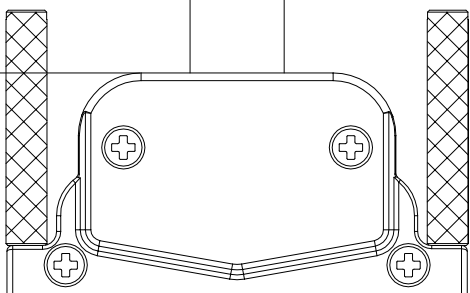
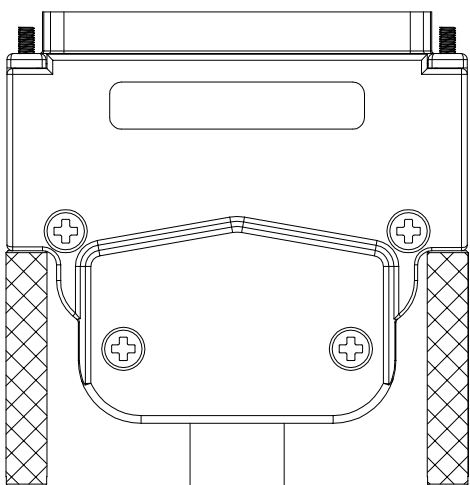
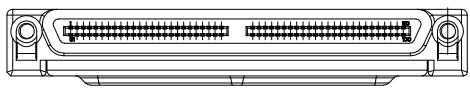


ROHS



P1

P2

PIN ASSIGNMENT

P1	SIGNAL	P2
1		1
2		2
3		3
4~97		4~97
98		98
99		99
100		100
Shell		Shell

NOTES:

1. ELECTRICAL TEST: 100% OPEN, SHORT & MISS WIRE TEST.
2. CONDUCTOR RESISTANCE: 5 OHMS MAX.
3. INSULATOR RESISTANCE: 1M OHMS MIN, DC 300V 0.01 sec.
4. THIS PRODUCT MEET ROHS STANDARD ENVIRONMENTAL PROTECTION POLICY.

QUALITY SYMBOLS
 ■: CRITICAL
 □: MAJOR
 ▽: ZERO DEFECT S.P.C



UNIT: mm

SCALE: 2:1

TOLERANCES
 DIM.: ±0.10
 ANGLE: ±1°

ITEM: APPROVED

PART NAME: CHECKED

DESIGN: DESIGN

DRAWN: DRAWN

PART NO.: A09-1061XXX-01

DESCRIPTION: VHDCl-100P Male Pitch=0.8mm Connector

QTY: 1PCS

东莞市箐国电子有限公司

REV: A

DESCRIPTION: VHDCl 100P CABLE

DRAWING NO.:

REV: A

DATE: 2017-05-23

DESCRIPTION: 箐国发行

REV: A