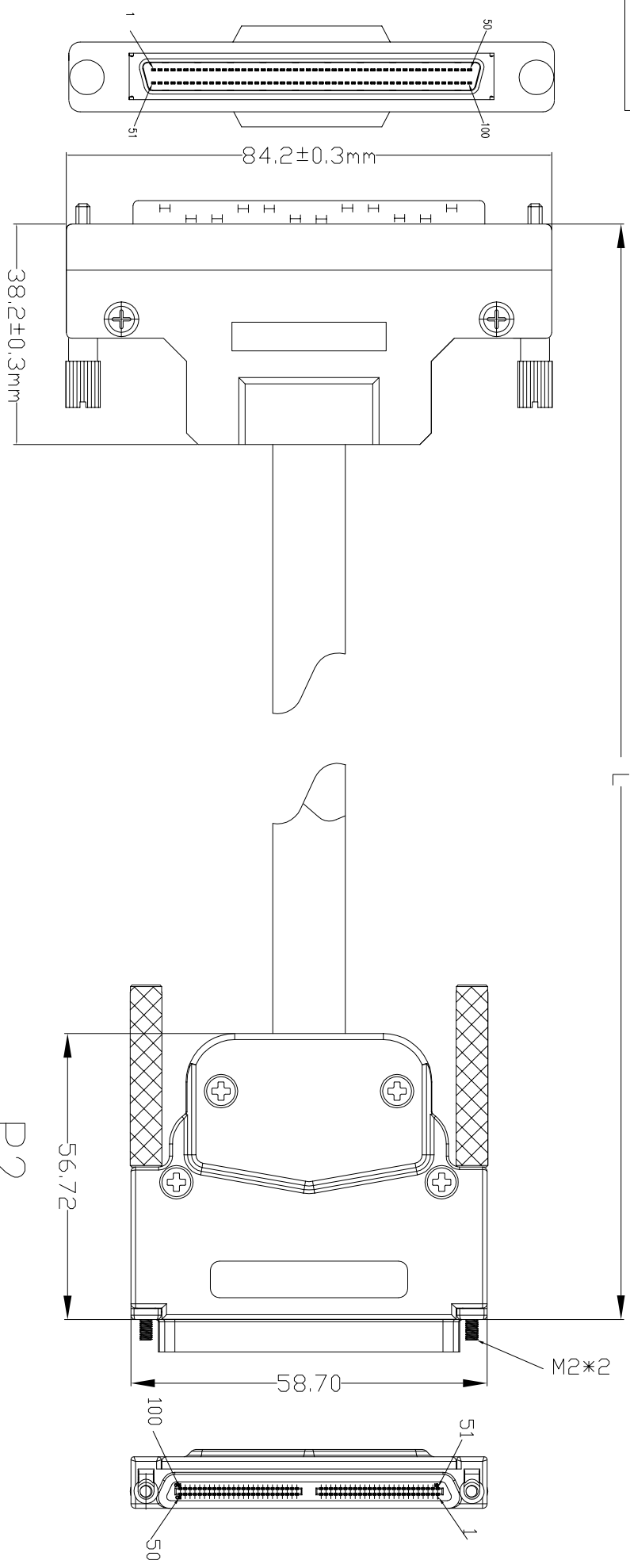


ROHS



P1

PIN ASSIGNMENT

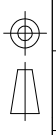
P1	SIGNAL	P2
1		1
2		2
3		3
4~97		4~97
98		98
99		99
100		100
Shell		Shell

P2

- NOTES:
1. ELECTRICAL TEST: 100% OPEN, SHORT & MISS WIRE TEST.
  2. CONDUCTOR RESISTANCE: 5 OHMS MAX.
  3. INSULATOR RESISTANCE: 1M OHMS MIN, DC 300V 0.01sec.
  4. THIS PRODUCT MEET ROHS STANDARD ENVIRONMENTAL PROTECTION POLICY.

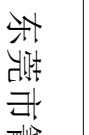
ITEM	PART NAME	DESCRIPTION	QTY
2	CABLE	UL20276 28AWG*50P+AL+BRAID PVC JACKET COLOR:BLACK OD= 11.5mm	1PCS
2	CONNECTOR	VHDCI-100P Male Pitch=0.8mm Connector	1SET
1	CONNECTOR	HPDB SCSI 100Pin Male ASSY Connector	1SET

QUALITY SYMBOLS



UNIT: mm  
SCALE: 2:1  
TOLERANCES: DIM: ±0.10  
ANGLE: ±1°

CRITICAL  
MAJOR  
S.P.C



REV A  
DESCRIPTION: 图面发行  
DATE: 2017-05-23

REV	DESCRIPTION	DATE	ZERO DEFECT S.P.C	东莞市箐国电子有限公司	APPROVED	CHECKED	DESIGN	DRAWN	PART NO.	A09-1061XXX-03	SHT	1/1

THIS DRAWING CONTAINS INFORMATION THAT IS PROPRIETARY TO KinKuo INCORPORATED AND SHOULD NOT BE USED WITHOUT WRITTEN REMISSION.

A B C D E F G H