

This document is the property of Amphenol Corporation and is delivered on the express condition that is not to be disclosed, reproduced or used, in whole or in part, for manufacture or sale by anyone other than Amphenol Corporation without its prior consent, and that no right is granted to disclose or to use any information in this document.

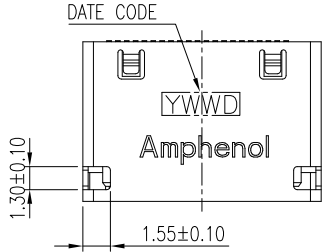
The marking on this product doesn't contain environmental hazardous materials per Material Specification SS-00259 for Sony GP compliant or per directive 2011/65/EU for RoHS compliant or per IEC 61249-2-21 for Halogen-Free compliant.



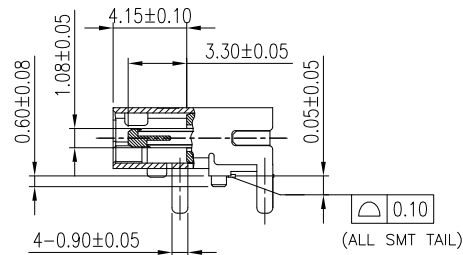
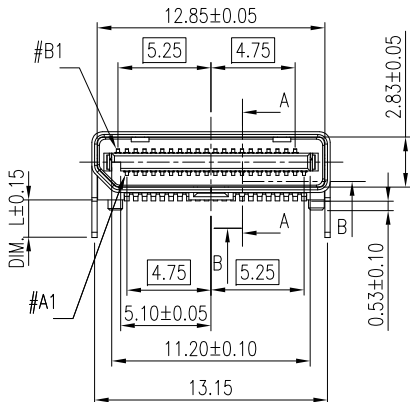
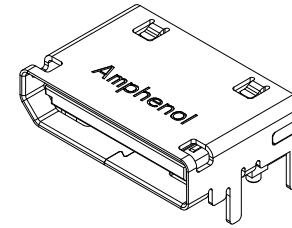
ORIGINAL



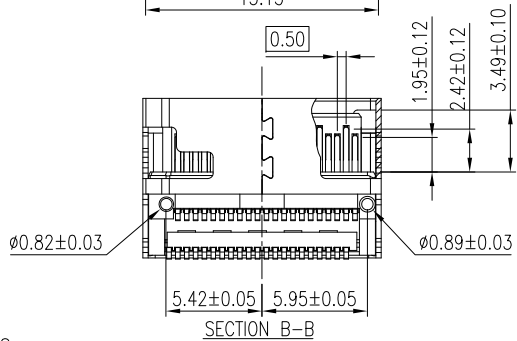
REVISIONS				
SYM	ECN No.	DESCRIPTION	DATE	BY
A	NE-17107	RELEASE TO PRODUCTION	2017.05.09	Sandra Sang
B	NE-17197	CHANGED POST DD; ADDED NOTE 4	2017.10.23	Sandra Sang
C	NE-18053	ADDED TAIL GUIDE	2018.03.02	Sandra Sang
D	NE-18121	CORRECTED WRONG TYPING	2018.06.15	Sandra Sang



DATE CODE
Y WW D
1~7: DATE NO.
12: WEEK NO.
6: 2016



SECTION A-A



SECTION B-B

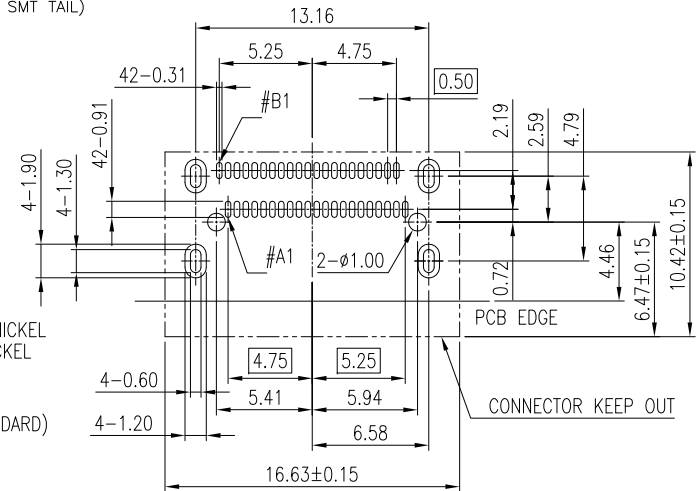
PART NUMBER:
G14A 42 1 X 1 X X X X HR

CONTACT FINISH
0: GOLD FLASH
1: 15μ" GOLD
2: 30μ" GOLD

SHELL PLATING
BLANK: ELECTROLESS NICKEL
1: MATTE TIN OVER NICKEL
PACKING METHOD
1: TRAY
2: TAPE & REEL (STANDARD)

SHELL OPTION
B: DIP, DIM. L=2.10mm
C: DIP, DIM. L=2.90mm
D: DIP, DIM. L=3.70mm
E: DIP, DIM. L=1.50mm

INSULATOR OPTION
1: LCP, BLACK



RECOMMENDED PCB LAYOUT - TOP VIEW
(GENERAL TOLERANCE: ±0.05)

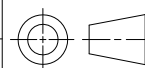
NOTES:

- HOUSING: HIGH TEMP. THERMOPLASTIC, UL 94V-0, COLOR- BLACK
- CONTACT: COPPER ALLOY, SELECTIVE GOLD PLATED ON CONTACT AREA, 100μ" MATTE TIN PLATED ON SOLDERING TAIL, 50μ" MIN. NICKEL UNDER-PLATED OVERALL
- SHELL: STAINLESS STEEL, 50μ" MIN. ELECTROLESS NICKEL PLATED OVERALL OR 60μ"~150 μ" MIN. MATTE TIN PLATED ON SOLDERING TAILS OVER 50μ" MIN. NICKEL PLATED OVERALL
- INSERT-MOLD/ TAIL GUIDE: HIGH TEMP. THERMOPLASTIC, UL 94V-0, COLOR- BLACK
- PACKAGE DRAWING REFER TO PKS-G14A42P004HR
- THIS PRODUCT DOESN'T CONTAIN ENVIRONMENTAL HAZARDOUS MATERIALS PER DIRECTIVE 2011/65/EC FOR RoHS AND PER IEC 61249-2-21 FOR HALOGEN FREE COMPLIANT.

TOLERANCE	DRAWN	APPROVALS	DATE	TITLE	UNIT	SIZE	PART No.
X. X.X ±0.30 X.XX ±0.20 X.XXX ±0.10	DESIGNED	Sandra Sang	06/15/2018	OCULINK 4X CONN. RECEPTACLE, R/A SHELL DIP	m m	A3	G14A 421X 1XX XX HR
	CHECKED	Chenny Yeh	06/15/2018				
ANGULAR ±2°	APPROVED	Hank Hsu	06/15/2018		NA	1 OF 1	G14A421X1BXXXHR
UNLESS OTHERWISE SPECIFIED	DWG TYPE	CUST DWG	PROJECT CODE T591				

Amphenol®

Amphenol Corporation
Amphenol Taiwan Corporation



UNIT m m
SCALE NA
SHEET 1 OF 1

PART No. G14A 421X 1XX XX HR
DWG No. G14A421X1BXXXHR
REV. D