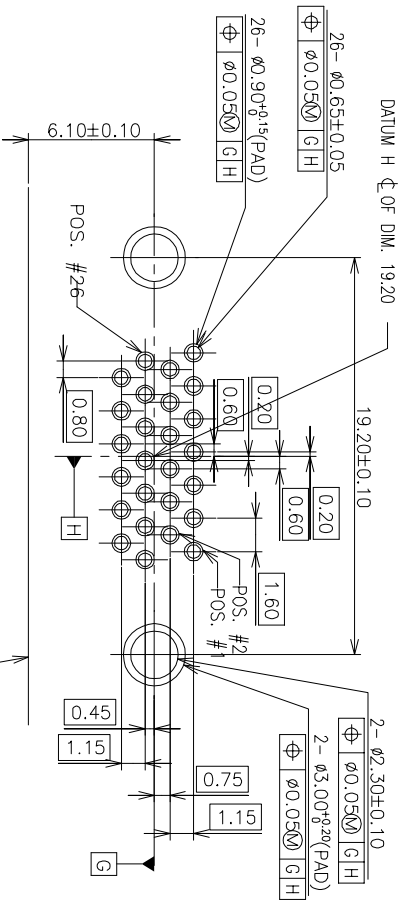
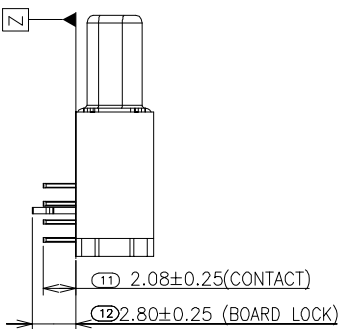
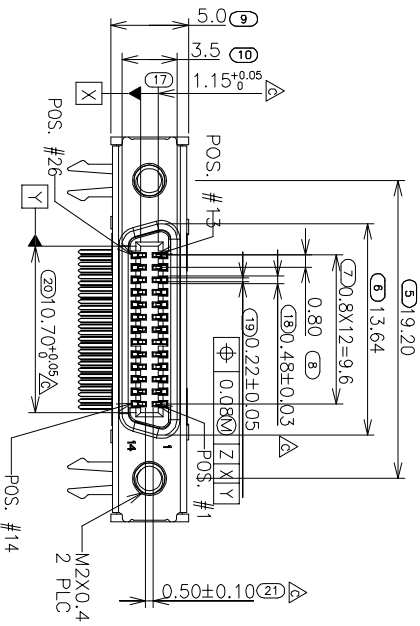
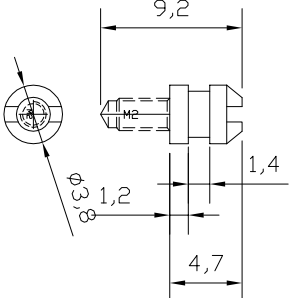
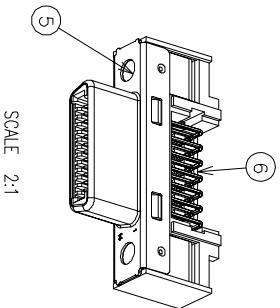
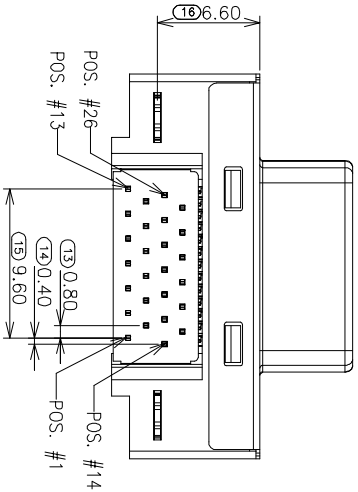


Voltage Current Rating: 0.3 AMP.
 Dielectric Withstanding Voltage: 250V AC
 Contact Resistance: 100 mΩ Max.
 Insulation Resistance: 500MΩ Min.
 Temperature Range: -20°C to +85°C



RECOMMENDED P.C.B. LAYOUT
 (TOP VIEW)
 (t=1.60mm SCALE 4:1)
 EDGE OF P.C.B.



6	TINE PLATE	1	I-HMR20-B26K00	PA9T GF33% BLACK
5	NUT	2	H-HMR20-B26K0	COPPER ALLOY
4	BOARD LOCK	2	H-HMR20-A0200	PHOSPHOR BRONZE
3	CONTACT	26	T-HMR20-10X00	PHOSPHOR BRONZE,AL
2	SHELL	1	S-HMR20-F26200	SPCC NICKEL
1	HOUSING	1	I-HMR20-A26K00	PA9T GF33% BLACK

NAME: SDR-26P Female R/A Connector
 (JM: 12226-5150-00FR)
 PART NO. B06-026611AF-01

REV:	A	UNIT:	mm	DRW BY:	CHK BY:	APP BY:	DRAWING NO.
SCALE:	N:1	DATE:	2018/01/09	JING U	JACK CHEN		B01-009

东莞市箐国电子有限公司

APPROVER

DESCRIPTION

DATE

2018/01/09新版发行

8

7

6

5

4

3

2

1

8

7

6

5

4

3

2

1