

This document is the property of Amphenol Corporation and is delivered on the express condition that is not to be disclosed, reproduced or used, in whole or in part, for manufacture or sale by anyone other than Amphenol Corporation without its prior consent, and that no right is granted to disclose or to use any information in this document.

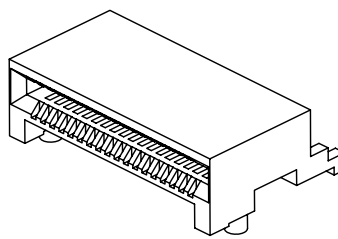
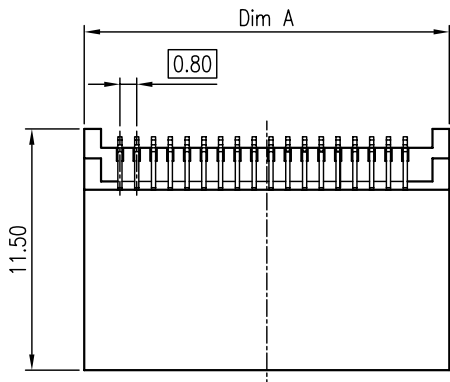
The marking on this product doesn't contain environmental hazardous materials per Material Specification 55-00259 for Sony GP compliant or per directive 2002/95/EC for RoHS compliant.



ORIGINAL



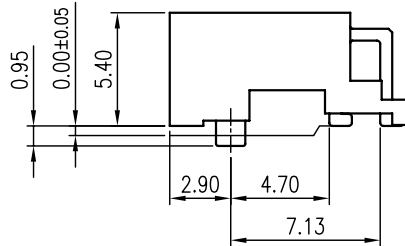
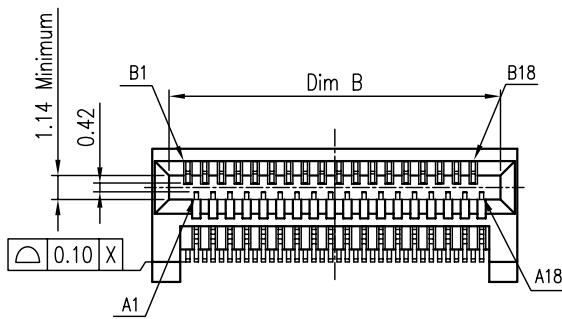
REVISIONS				
SYM	ECN No.	DESCRIPTION	DATE	BY
A		RELEASE TO THE PRODUCTION	01/16/2007	HC
B		MODIFY DIM	11/07/2007	Hank Hsu
C	NE-08246	ADD P/N	07/09/2008	Hank Hsu
D	NE-08381	ADD P/N OPTION	11/03/2008	Hank Hsu
E	NE-09192	REMOVED 50 POS. & 68 POS.	12/03/2009	Sondra Sang



NOTE:
 1.MATERIAL:
 CONTACT:PHOSPHOR BRONZE
 HOUSING: LCP UL94V-0 RATED, BLACK COLOR

2.CONTACT FINISH:
 CONTACT AREA: Au 15u" MIN.
 SOLDER AREA : MATT PURE TIN 120u"
 UNDERPLATING: NI 50u"MIN OVERALL.

3.PRODUCT SPEC REFER TO PS-7326
 4.PART NUMBER SYSTEM REFER TO PNS-G40M
 5.THIS PRODUCT DOESN'T CONTAIN ENVIRONMENTAL HAZARDOUS MATERIALS PER DIRECTIVE 2002/95/EC/ FOR RoHS



G40B R XX X X XX X X

Connector Style
 R: Right Angle Type

Contact Pos
 26: 26Pos.
 36: 36Pos.

Contact Finish
 1: Gold 15U"
 2: Gold 30U"

Packing Code
 A: Tray (Connector Only)
 B: Tape & Reel
 C: Tray (Connector / Shell)
 D: Tape & Reel (Connector / Shell)

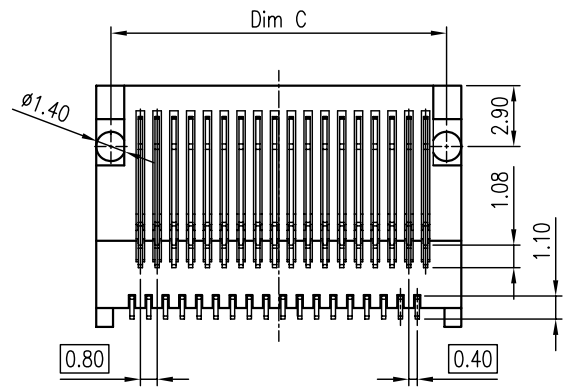
Cage Type
 Blank: Without Shell
 1: Dip Type,GND
 pin length=2.80mm
 2: Dip Type,GND
 pin length=3.40mm
 4: Dip Type,GND
 pin length=4.00mm
 5: Dip Type,GND
 pin length=1.96mm

Key Options
 Blank: Without Shell
 L: Left Key Shell
 R: Right Key Shell
 U: Universal Key Shell
 D: Dual Key Shell

Environment Code
 LF: Sony Gp
 EU: ROHS

Variation Code
 Blank: Standard

POSITION	DIM A	DIM B	DIM C
26	13.40	11.80	12.00
36	17.40	15.80	16.00



TOLERANCE		APPROVALS		DATE	TITLE		Amphenol®	
X.		DRAWN		Sondra Sang	12/03/09	MINI SAS BOARD		Amphenol Corporation Amphenol Taiwan Corporation
X.X	±0.30	CHECKED		Chenny Yeh	12/03/09	MOUNT B/R CONNECTOR		
X.XX	±0.20	APPROVED		Hank Hsu	12/03/09	UNIT mm SCALE NA	SIZE A3	PART No. G40BRXXXXXEU
X.XXX	±0.10	DWG TYPE		CUST DWG	PROJECT CODE T419		SHEET 1 OF 3	DWG No. G40BRXXXXXEU
ANGULAR	±1°	UNLESS OTHERWISE SPECIFIED						

This document is the property of Amphenol Corporation and is delivered on the express condition that is not to be disclosed, reproduced or used, in whole or in part, for manufacture or sale by anyone other than Amphenol Corporation without its prior consent, and that no right is granted to disclose or to use any information in this document.

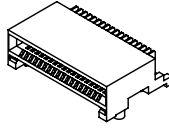
The marking on this product doesn't contain environmental hazardous materials per Material Specification 55-00259 for Sony GP compliant or per directive 2002/95/EC for RoHS compliant.



ORIGINAL



REVISIONS				
SYM	ECN No.	DESCRIPTION	DATE	BY
A		RELEASE TO THE PRODUCTION	01/16/2007	HC
B		MODIFY DIM	11/07/2007	Hank Hsu
C	NE-08246	ADD P/N	07/09/2008	Hank Hsu
D	NE-08381	ADD P/N OPTION	11/03/2008	Hank Hsu
E	NE-09192	REMOVED 50 POS. & 68 POS.	12/03/2009	Sondra Sang

Connector P/N List				
Type	Plug or Receptacle	Position	Plating	P/N
R/A	 Receptacle	26-pos.	15u"	G40BR261XEU
			30u"	G40BR262XEU
		36-pos.	15u"	G40BR361XEU
			30u"	G40BR362XEU

TOLERANCE		APPROVALS		DATE	TITLE		Amphenol®							
X.		DRAWN	Sondra Sang	12/03/09	MINI SAS BOARD MOUNT B/R CONNECTOR		Amphenol Corporation Amphenol Taiwan Corporation							
X.X	±0.30	CHECKED	Chenny Yeh	12/03/09										
X.XX	±0.20	APPROVED	Hank Hsu	12/03/09										
X.XXX	±0.10	UNLESS OTHERWISE SPECIFIED		CUST DWG	PROJECT CODE	T419	UNIT	mm	SIZE	A3	PART No.	G40BRXXXXXEU		
ANGULAR	±1°						SCALE	NA	SHEET	2 OF 3	DWG No.	G40BRXXXXXEU	REV.	E

This document is the property of Amphenol Corporation and is delivered on the express condition that it is not to be disclosed, reproduced or used, in whole or in part, for manufacture or sale by anyone other than Amphenol Corporation without its prior consent, and that no right is granted to disclose or to use any information in this document.

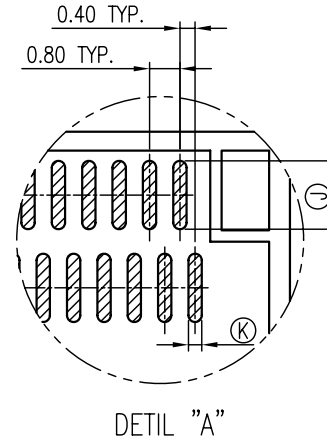
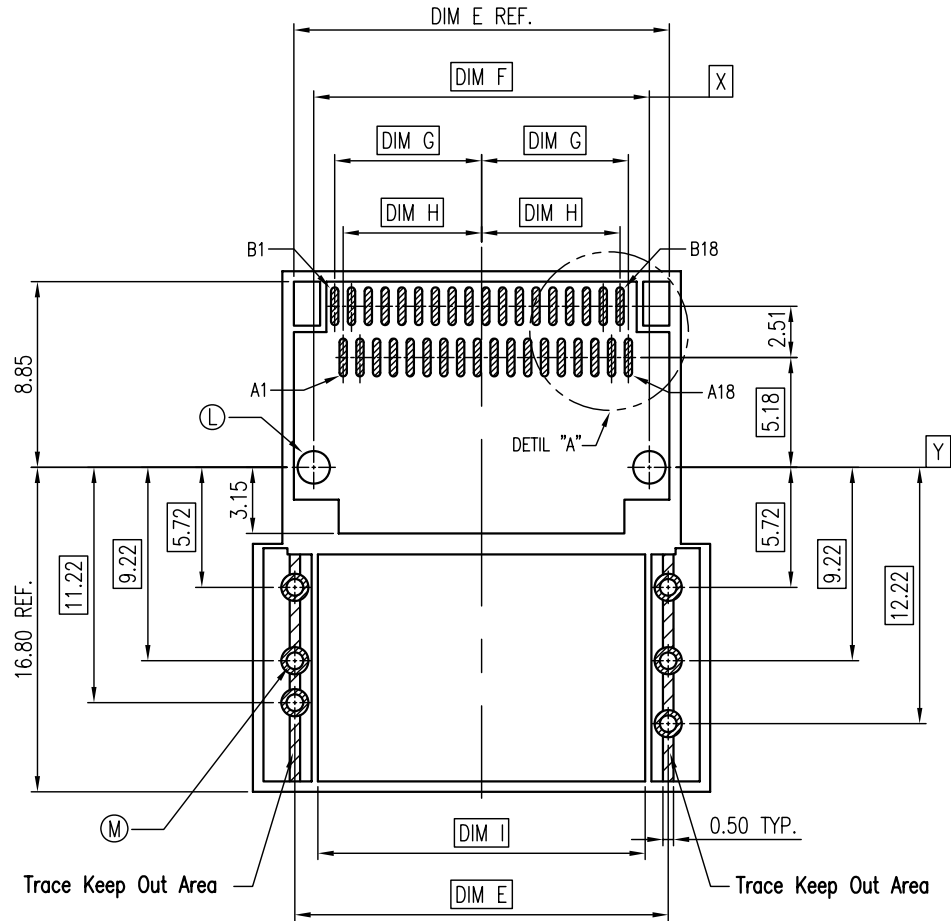
The marking on this product doesn't contain environmental hazardous materials per Material Specification 55-00259 for Sony GP compliant or per directive 2002/95/EC for RoHS compliant.



ORIGINAL



REVISIONS				
SYM	ECN No.	DESCRIPTION	DATE	BY
A		RELEASE TO THE PRODUCTION	01/16/2007	HC
B		MODIFY DIM	11/07/2007	Hank Hsu
C	NE-08246	ADD P/N	07/09/2008	Hank Hsu
D	NE-08381	ADD P/N OPTION	11/03/2008	Hank Hsu
E	NE-09192	REMOVED 50 POS. & 68 POS.	12/03/2009	Sondra Sang



Pointed	
Dim. Ⓧ	1.80±0.03 TYP. $\phi \ 0.05 \text{ (L) X Y}$
Dim. Ⓚ	0.35±0.03 TYP. $\phi \ 0.05 \text{ (L) X Y}$
Dim. Ⓛ	$\phi 1.55 \pm 0.05 \text{ (x2)}$ $\phi \ 0.05 \text{ (L) X Y}$
Dim. Ⓜ	$\phi 0.80 \pm 0.08 \text{ PTH. (x6)}$ $\phi \ 0.05 \text{ (L) X Y}$

POSITION	DIM E	DIM F	DIM G	DIM H	DIM I
26	13.80	12.00	5.00	4.60	11.80
36	17.80	16.00	7.00	6.60	15.80

RIGHT ANGLE CONNECTOR RECOMMEND PCB LAYOUT

TOLERANCE	APPROVALS	DATE	TITLE		PART No.	
X. ±0.30	DRAWN Sondra Sang	12/03/09	MINI SAS BOARD MOUNT B/R CONNECTOR		Amphenol® Amphenol Corporation Amphenol Taiwan Corporation	
X.X ±0.20	CHECKED Chenny Yeh	12/03/09				
X.XXX ±0.10	APPROVED Hank Hsu	12/03/09				
ANGULAR ±1°	DWG TYPE CUST DWG	PROJECT CODE T419	UNIT mm	SIZE A3	PART No. G40BRXXXXXEU	
UNLESS OTHERWISE SPECIFIED			SCALE NA	SHEET 3 OF 3	DWG No. G40BRXXXXXEU REV. E	