

This document is the property of Amphenol Corporation and is delivered on the express condition that it is not to be disclosed, reproduced or used, in whole or in part, for manufacture or sale by anyone other than Amphenol Corporation without its prior consent, and that no right is granted to disclose or to use any information in this document.

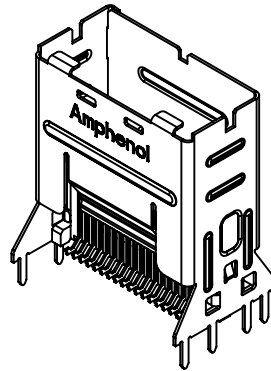
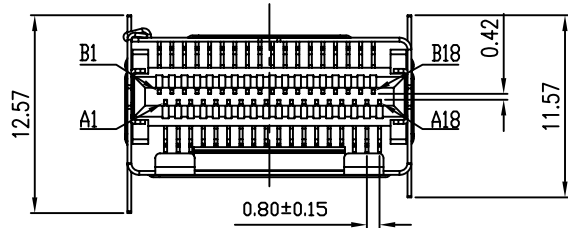
The marking on this product doesn't contain environmental hazardous materials per Material Specification 55-00259 for Sony GP compliant or per directive 2002/95/EC for RoHS compliant.



ORIGINAL

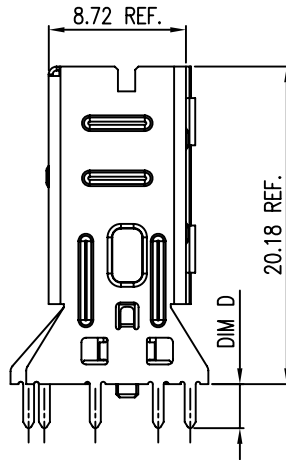
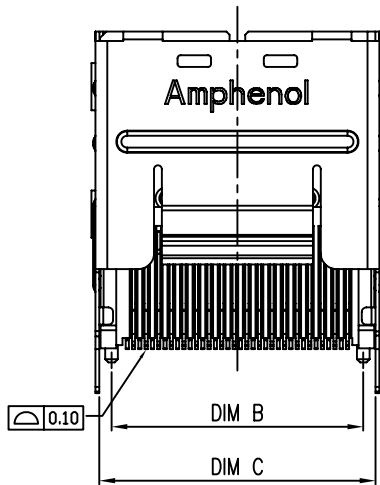


REVISIONS				
SYM	ECN No.	DESCRIPTION	DATE	BY
A		RELEASE TO THE PRODUCTION	08/08/2006	EDWARD WU
B	NE-06299	MODIFY PCB DIM	09/07/2006	EDWARD WU
C	NE-06320	ADD OPTIONS OF CAGE	09/19/2006	EDWARD WU
D	NE-07806	REARRANGE DRAWING	07/10/2007	HANK HSU
E	NE-10153	ADDED DIMENSIONS	09/23/2010	Sondra Sang



NOTE:

- MATERIAL:
CONTACT: PHOSPHOR BRONZE
HOUSING: LCP UL94V-0 RATED, BLACK COLOR
SHELL: COPPER ALLOY
- CONTACT FINISH:
CONTACT AREA: Au 15u" MIN.
SOLDER AREA : MATT PURE TIN 120u"
UNDERPLATING: NI 50u" MIN OVERALL.
- PRODUCT SPEC REFER TO PS-7326
- PART NUMBER SYSTEM REFER TO PNS-G40M
- THIS PRODUCT DOESN'T CONTAIN ENVIRONMENTAL HAZARDOUS MATERIALS PER DIRECTIVE 2002/95/EC/ FOR RoHS



G40M V 36 X X X X XX

Connector Style
V: Vertical Type

Contact Pos
36: 36Pos.

Key Options

- L: Left Key Shell
- R: Right Key Shell
- U: Universal Key Shell
- D: Dual Key Shell

Environment Code
EU: ROHS

Packing Code
A: Tray
B: Tape & Reel

Cage Type
1: Dip Type, GND
pin length=2.80mm
2: Dip Type, GND
pin length=3.40mm

Contact Finisp
1: Gold 15U"
2: Gold 30U"

POSITION	DIM A	DIM B	DIM C	DIM D
36 PIN	15.80	16.00	17.55	2.8 / 3.4

TOLERANCE	DRAWN	APPROVALS	DATE	TITLE	Amphenol® Amphenol Corporation Amphenol Taiwan Corporation			
X. X.X ±0.30 X.XX ±0.20 X.XXX ±0.10	DESIGNED	Sondra Sang	09/23/10	MINI SAS VERTICAL DIP CONNECTOR	UNIT mm SCALE NA	SIZE A3 SHEET 1 OF 4	PART No. G40MV 36XXXX EU DWG No. G40MV36XXXXEU	REV. E
ANGULAR ±1°	CHECKED	Chenny Yeh	09/23/10					
UNLESS OTHERWISE SPECIFIED	APPROVED	Hank Hsu	09/23/10					
	DWG TYPE	CUST DWG	PROJECT CODE T435					

This document is the property of Amphenol Corporation and is delivered on the express condition that it is not to be disclosed, reproduced or used, in whole or in part, for manufacture or sale by anyone other than Amphenol Corporation without its prior consent, and that no right is granted to disclose or to use any information in this document.

The marking on this product doesn't contain environmental hazardous materials per Material Specification 55-00259 for Sony GP compliant or per directive 2002/95/EC for RoHS compliant.

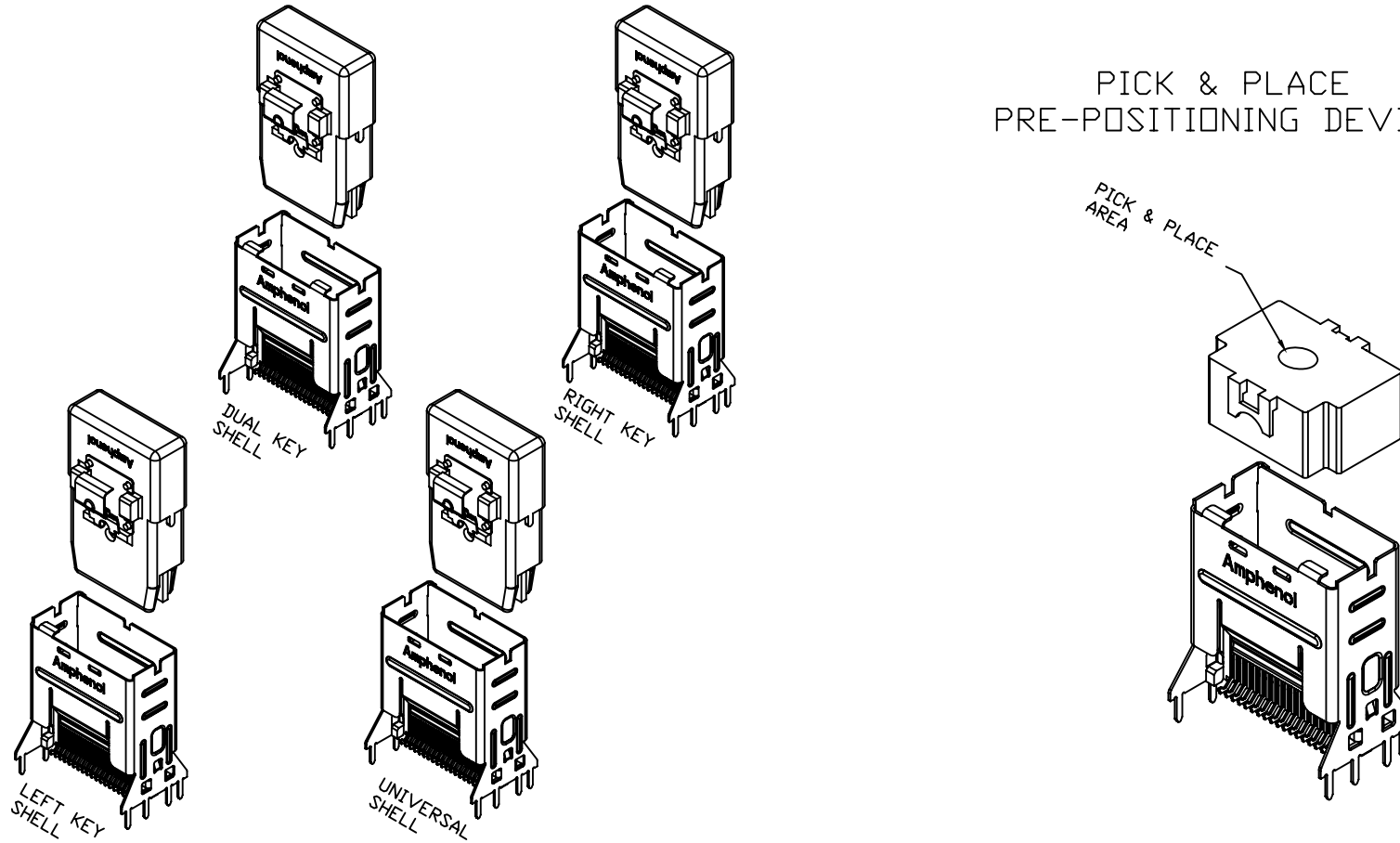


ORIGINAL



REVISIONS				
SYM	ECN No.	DESCRIPTION	DATE	BY
A		RELEASE TO THE PRODUCTION	08/08/2006	EDWARD WU
B	NE-06299	MODIFY PCB DIM	09/07/2006	EDWARD WU
C	NE-06320	ADD OPTIONS OF CAGE	09/19/2006	EDWARD WU
D	NE-07806	REARRANGE DRAWING	07/10/2007	HANK HSU
E	NE-10153	ADDED DIMENSIONS	09/23/2010	Sondra Sang

PICK & PLACE
PRE-POSITIONING DEVICE



POSITION	RIGHT KEY PLUG	LEFT KEY PLUG	UNIVERSAL PLUG	DUAL KEY SHELL
NO KEY PLUG	NO	NO	YES	NO
LEFT KEY PLUG	NO	YES	YES	NO
RIGHT KEY PLUG	YES	NO	YES	NO
UNIVERSAL PLUG	YES	YES	YES	YES

TOLERANCE	APPROVALS	DATE	TITLE		Amphenol®	
X. ±0.30	DESIGNED Sondra Sang	09/23/10	MINI SAS VERTICAL DIP CONNECTOR		Amphenol Corporation Amphenol Taiwan Corporation	
X.X ±0.20	CHECKED Chenny Yeh	09/23/10				
X.XXX ±0.10	APPROVED Hank Hsu	09/23/10			PART No. G40MV 36XXXX EU	
ANGULAR ±1°	DWG TYPE CUST DWG	PROJECT CODE T435				
UNLESS OTHERWISE SPECIFIED			SCALE NA		DWG No. G40MV36XXXXEU	
					REV. E	

This document is the property of Amphenol Corporation and is delivered on the express condition that it is not to be disclosed, reproduced or used, in whole or in part, for manufacture or sale by anyone other than Amphenol Corporation without its prior consent, and that no right is granted to disclose or to use any information in this document.

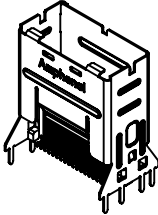
The marking on this product doesn't contain environmental hazardous materials per Material Specification 55-00259 for Sony GP compliant or per directive 2002/95/EC for RoHS compliant.

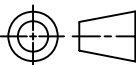


ORIGINAL



REVISIONS				
SYM	ECN No.	DESCRIPTION	DATE	BY
A		RELEASE TO THE PRODUCTION	08/08/2006	EDWARD WU
B	NE-06299	MODIFY PCB DIM	09/07/2006	EDWARD WU
C	NE-06320	ADD OPTIONS OF CAGE	09/19/2006	EDWARD WU
D	NE-07806	REARRANGE DRAWING	07/10/2007	HANK HSU
E	NE-10153	ADDED DIMENSIONS	09/23/2010	Sondra Sang

MINI SAS									
Type	Plug or Receptacle	Position	Connector Type	Cage Type	Keying (optional)	Shell Tail (Length)	Plating	P/N	
Vertical		36-pos.	SMT	DIP	Left Key	2.8 mm	15u"	G40MV36L11XEU	
						30u"	G40MV36L21XEU		
						3.4 mm	15u"	G40MV36L12XEU	
							30u"	G40MV36L22XEU	
						Right Key	2.8 mm	15u"	G40MV36R11XEU
							30u"	G40MV36R21XEU	
					3.4 mm	15u"	G40MV36R12XEU		
						30u"	G40MV36R22XEU		
					Universal shell No Key Plug	2.8 mm	15u"	G40MV36U11XEU	
						30u"	G40MV36U21XEU		
						3.4 mm	15u"	G40MV36U12XEU	
					30u"	G40MV36U22XEU			
Dual Key Shell Universal Plug	2.8 mm	15u"	G40MV36D11XEU						
	30u"	G40MV36D21XEU							
3.4 mm	15u"	G40MV36D12XEU							
30u"	G40MV36D22XEU								

TOLERANCE		DRAWN APPROVALS		DATE	TITLE		Amphenol® Amphenol Corporation Amphenol Taiwan Corporation		
X.		DESIGNED Sondra Sang		09/23/10	MINI SAS VERTICAL DIP CONNECTOR		PART No. G40MV 36XXXX EU DWG No. G40MV36XXXXEU REV. E		
X.X	±0.30	CHECKED Chenny Yeh		09/23/10					
X.XX	±0.20	APPROVED Hank Hsu		09/23/10		UNIT mm	SIZE A3		
X.XXX	±0.10	DWG TYPE CUST DWG		PROJECT CODE T435		SCALE NA	SHEET 3 OF 4		
ANGULAR ±1°		UNLESS OTHERWISE SPECIFIED							

