

This document is the property of Amphenol Corporation and is delivered on the express condition that is not to be disclosed, reproduced or used, in whole or in part, for manufacture or sale by anyone other than Amphenol Corporation without its prior consent, and that no right is granted to disclose or to use any information in this document.

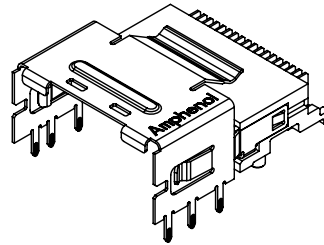
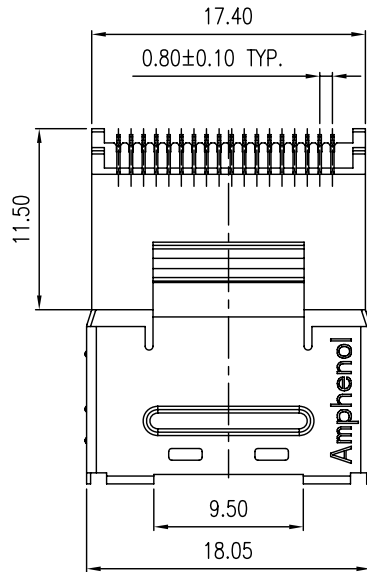
The marking on this product doesn't contain environmental hazardous materials per Material Specification SS-00259 for Sony GP compliant or per directive 2002/95/EC for RoHS compliant.



ORIGINAL
CAGE TYPE:DIP

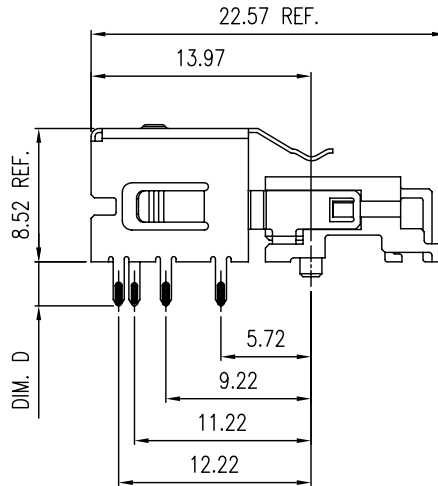
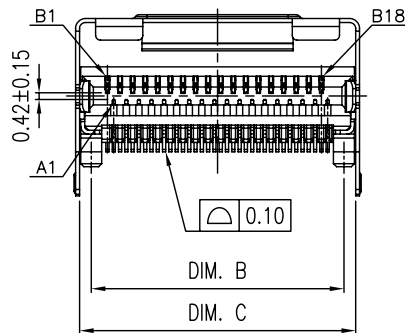


REVISIONS				
SYM	ECN No.	DESCRIPTION	DATE	APPROVED
A		UNRELEASE PRODUCT	01/16/2007	HC
B	NE-07310	ADD SHELL LENGTH DIM	06/23/2007	HANK HSU
C	NE-07826	ADD DIM	08/08/2007	HANK HSU
D	NE-09038	CANCEL 26P, 50P & 68P	02/27/2009	HANK HSU
E	NE-09154	CORRECTED SHELL KEY	09/07/2009	HANK HSU



- NOTE:
- MATERIAL:
CONTACT: PHOSPHOR BRONZE
HOUSING: LCP UL94V-0 RATED, BLACK COLOR
SHELL: COPPER ALLOY
 - CONTACT FINISH:
CONTACT AREA: Au 15u" MIN.
SOLDER AREA : MATT PURE TIN 120u"
 - UNDERPLATING: NI 50u" MIN OVERALL.
 - COPLANALITY: 0.10MM MAX.
 - PRODUCT SPEC REFER TO PS-7326
 - PART NUMBER SYSTEM REFER TO PNS-G40M
 - THIS PRODUCT DOESN'T CONTAIN ENVIRONMENTAL HAZARDOUS MATERIALS PER DIRECTIVE 2002/95/EC/ FOR RoHS

POSITION	DIM A	DIM B	DIM C	DIM D
36	15.80	16.00	17.55	2.80/3.40/4.00



G40M R 36 X X X X XX

Connector Style
R: Right Angle Type

Contact Pos
36: 36Pos.

Key Options
L: Left Key Shell
R: Right Key Shell
U: Universal Key Shell
D: Dual Key Shell

Environment Code
EU: ROHS

Packing Code
A: Tray
B: Tape & Reel

Cage Type
1: Dip Type,GND
pin length=2.80mm
2: Dip Type,GND
pin length=3.40mm
4: Dip Type,GND
pin length=4.00mm

Contact Finish
1: Gold 15U"
2: Gold 30U"

TOLERANCE	APPROVALS	DATE	TITLE		PART No.	
X. ±0.30	DRAWN Sondra Sang	09/07/09	MINI SAS COMBO TYPE B/M R/A CONNECTOR 36 POS., CAGE DIP TYPE		Amphenol [®] Amphenol Corporation Amphenol Taiwan Corporation	
X.X ±0.20	CHECKED Chenny Yeh	09/07/09				
X.XXX ±0.10	APPROVED Hank Hsu	09/07/09				
ANGULAR ±1'	DWG TYPE CUST DWG	PROJECT CODE T441	UNIT mm	SIZE A3	PART No. G40MR36XXXXEU	
UNLESS OTHERWISE SPECIFIED			SCALE NA	SHEET 1 OF 4	DWG No. G40MRXXXXXEU	REV. E

This document is the property of Amphenol Corporation and is delivered on the express condition that is not to be disclosed, reproduced or used, in whole or in part, for manufacture or sale by anyone other than Amphenol Corporation without its prior consent, and that no right is granted to disclose or to use any information in this document.

The marking on this product doesn't contain environmental hazardous materials per Material Specification 55-00259 for Sony GP compliant or per directive 2002/95/EC for RoHS compliant.

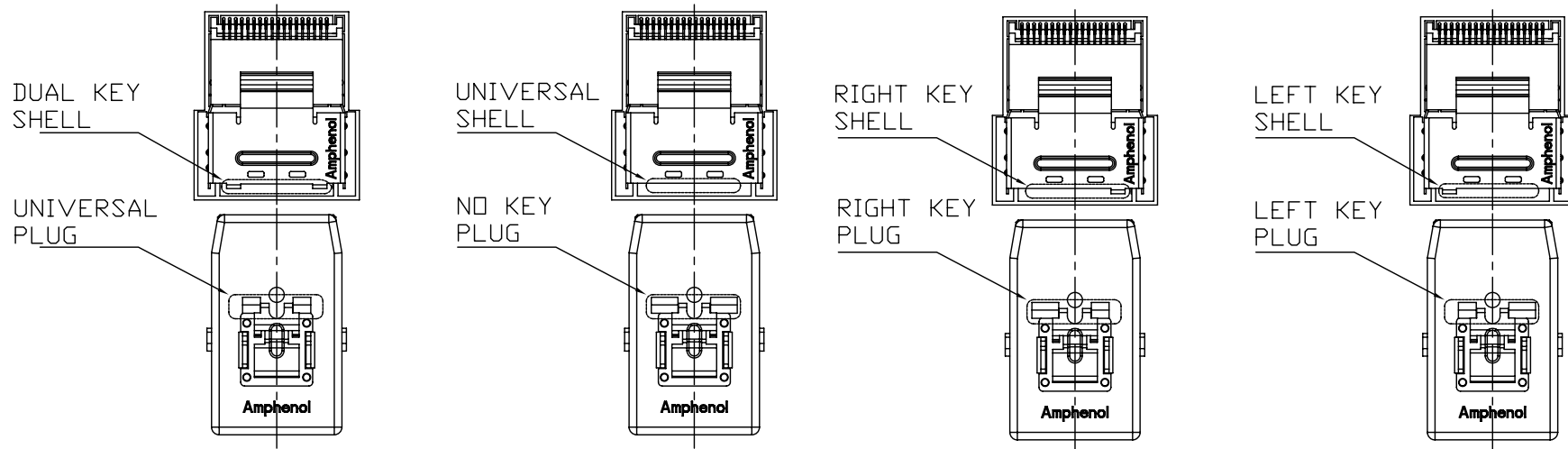


ORIGINAL



REVISIONS				
SYM	ECN No.	DESCRIPTION	DATE	APPROVED
A		UNRELEASE PRODUCT	01/16/2007	HC
B	NE-07310	ADD SHELL LENGTH DIM	06/23/2007	HANK HSU
C	NE-07826	ADD DIM	08/08/2007	HANK HSU
D	NE-09038	CANCEL 26P, 50P & 68P	02/27/2009	HANK HSU
E	NE-09154	CORRECTED SHELL KEY	09/07/2009	HANK HSU

KEYING OPTIONS



POSITION	RIGHT KEY PLUG	LEFT KEY PLUG	UNIVERSAL PLUG	DUAL KEY SHELL
NO KEY PLUG	NO	NO	YES	NO
LEFT KEY PLUG	NO	YES	YES	NO
RIGHT KEY PLUG	YES	NO	YES	NO
UNIVERSAL PLUG	YES	YES	YES	YES

TOLERANCE		APPROVALS		DATE	TITLE		Amphenol®		
X.		DRAWN	Sondra Sang	09/07/09	MINI SAS COMBO TYPE B/M R/A CONNECTOR 36 POS., CAGE DIP TYPE		Amphenol Corporation Amphenol Taiwan Corporation		
X.X	±0.30	CHECKED	Chenny Yeh	09/07/09					
X.XX	±0.20	APPROVED	Hank Hsu	09/07/09	UNIT mm		SIZE A3	PART No.	G40MR36XXXXEU
X.XXX	±0.10	UNLESS OTHERWISE SPECIFIED		CUST DWG	PROJECT CODE T441	SCALE NA	SHEET 2 OF 4	DWG No.	G40MRXXXXXEU
ANGULAR	±1°							REV.	E

This document is the property of Amphenol Corporation and is delivered on the express condition that is not to be disclosed, reproduced or used, in whole or in part, for manufacture or sale by anyone other than Amphenol Corporation without its prior consent, and that no right is granted to disclose or to use any information in this document.

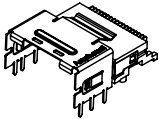
The marking on this product doesn't contain environmental hazardous materials per Material Specification 55-00259 for Sony GP compliant or per directive 2002/95/EC for RoHS compliant.

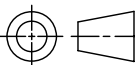


ORIGINAL



REVISIONS				
SYM	ECN No.	DESCRIPTION	DATE	APPROVED
A		UNRELEASE PRODUCT	01/16/2007	HC
B	NE-07310	ADD SHELL LENGTH DIM	06/23/2007	HANK HSU
C	NE-07826	ADD DIM	08/08/2007	HANK HSU
D	NE-09038	CANCEL 26P, 50P & 68P	02/27/2009	HANK HSU
E	NE-09154	CORRECTED SHELL KEY	09/07/2009	HANK HSU

MINI SAS								
Type	Plug or Receptacle	Position	Connector Type	Cage Type	Keying (optional)	Shell Tail (Length)	Plating	P/N
R/A	 Receptacle	36-pos.	SMT	DIP	Left Key	2.8 mm	15u"	G40MR36L11XEU
							30u"	G40MR36L21XEU
						3.4 mm	15u"	G40MR36L12XEU
							30u"	G40MR36L22XEU
						4.0 mm	15u"	G40MR36L14XEU
							30u"	G40MR36L24XEU
					Right Key	2.8 mm	15u"	G40MR36R11XEU
							30u"	G40MR36R21XEU
						3.4 mm	15u"	G40MR36R12XEU
							30u"	G40MR36R22XEU
						4.0 mm	15u"	G40MR36R14XEU
							30u"	G40MR36R24XEU
					Universal shell No Key Plug	2.8 mm	15u"	G40MR36U11XEU
							30u"	G40MR36U21XEU
						3.4 mm	15u"	G40MR36U12XEU
							30u"	G40MR36U22XEU
						4.0 mm	15u"	G40MR36U14XEU
							30u"	G40MR36U24XEU
					Dual Key Shell Universal Plug	2.8 mm	15u"	G40MR36D11XEU
							30u"	G40MR36D21XEU
						3.4 mm	15u"	G40MR36D12XEU
							30u"	G40MR36D22XEU
						4.0 mm	15u"	G40MR36D14XEU
							30u"	G40MR36D24XEU

TOLERANCE		APPROVALS		DATE	TITLE		Amphenol®							
X.		DRAWN	Sondra Sang	09/07/09	MINI SAS COMBO TYPE B/M R/A CONNECTOR 36 POS., CAGE DIP TYPE		Amphenol Corporation Amphenol Taiwan Corporation							
X.X	±0.30	CHECKED	Chenny Yeh	09/07/09										
X.XX	±0.20	APPROVED	Hank Hsu	09/07/09										
X.XXX	±0.10	UNLESS OTHERWISE SPECIFIED		CUST DWG	PROJECT CODE	T441	UNIT	mm	SIZE	A3	PART No.	G40MR36XXXXEU		
ANGULAR	±1°						SCALE	NA	SHEET	3 OF 4	DWG No.	G40MRXXXXXEU	REV.	E

This document is the property of Amphenol Corporation and is delivered on the express condition that is not to be disclosed, reproduced or used, in whole or in part, for manufacture or sale by anyone other than Amphenol Corporation without its prior consent, and that no right is granted to disclose or to use any information in this document.

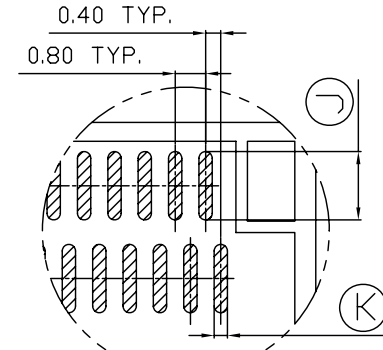
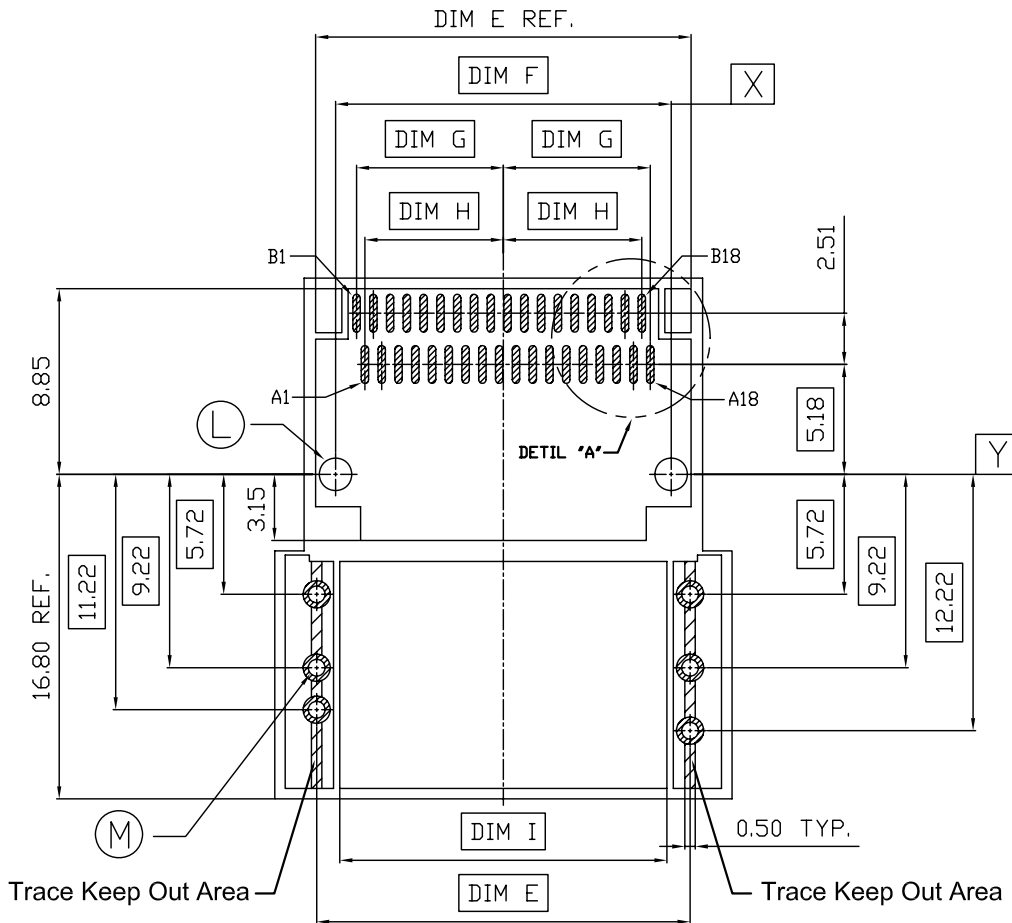
The marking on this product doesn't contain environmental hazardous materials per Material Specification 55-00259 for Sony GP compliant or per directive 2002/95/EC for RoHS compliant.



ORIGINAL



REVISIONS				
SYM	ECN No.	DESCRIPTION	DATE	APPROVED
A		UNRELEASE PRODUCT	01/16/2007	HC
B	NE-07310	ADD SHELL LENGTH DIM	06/23/2007	HANK HSU
C	NE-07826	ADD DIM	08/08/2007	HANK HSU
D	NE-09038	CANCEL 26P, 50P & 68P	02/27/2009	HANK HSU
E	NE-09154	CORRECTED SHELL KEY	09/07/2009	HANK HSU



DETAIL "A"

Pointed		
Dim. (J)	1.80±0.03 TYP.	⊕ ∅0.05 ⊖ X Y
Dim. (K)	0.35±0.03 TYP.	⊕ ∅0.05 ⊖ X Y
Dim. (L)	∅1.55±0.05 (x2)	⊕ ∅0.05 ⊖ X Y
Dim. (M)	∅0.80±0.08 PTH.(x6)	⊕ ∅0.05 ⊖ X Y

POSITION	DIM E	DIM F	DIM G	DIM H	DIM I
36	17.80	16.00	7.00	6.60	15.80

RIGHT ANGLE CONNECTOR
RECOMMEND PCB LAYOUT

TOLERANCE	APPROVALS	DATE	TITLE		Amphenol®	
X. ±0.30	DRAWN Sondra Sang	09/07/09	MINI SAS COMBO TYPE B/M R/A CONNECTOR 36 POS., CAGE DIP TYPE		Amphenol Corporation Amphenol Taiwan Corporation	
X.X ±0.20	CHECKED Chenny Yeh	09/07/09				
X.XXX ±0.10	APPROVED Hank Hsu	09/07/09				
ANGULAR ±1°	DWG TYPE CUST DWG	PROJECT CODE T441	UNIT mm	SIZE A3	PART No. G40MR36XXXXEU	
UNLESS OTHERWISE SPECIFIED			SCALE NA	SHEET 4 OF 4	DWG No. G40MRXXXXXEU	REV. E