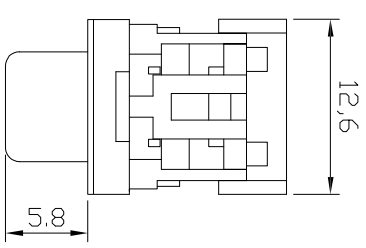
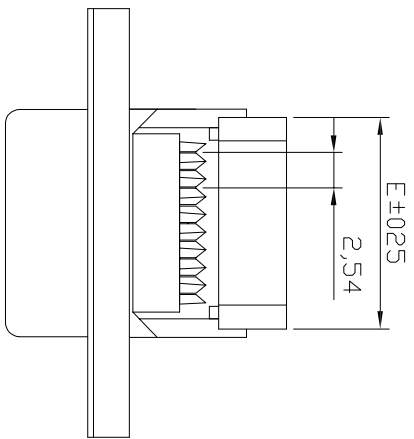


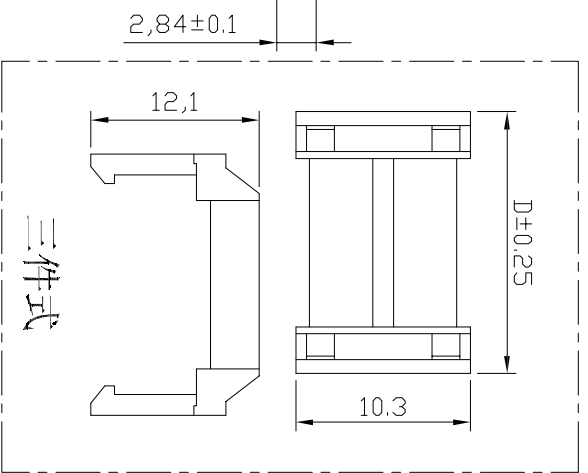
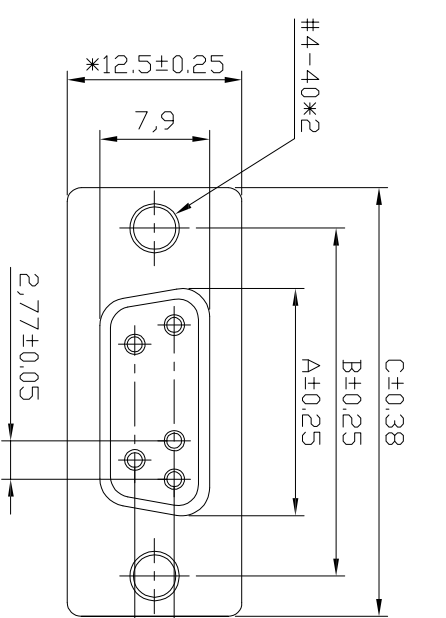
Positions	A	B	C	D	E
09	16.25	25.00	30.80	18.80	15.0
15	24.80	33.30	39.20	26.90	23.6
25	38.30	47.00	53.00	40.30	37.2
37	54.80	63.50	69.40	56.95	53.75



Specification:  
 Current rating: 1 A Max.  
 Dielectric withstanding voltage: 500 V(ac) for 1 min.  
 Insulation resistance: 500 MW Min.  
 Operating Temperature: -10° C~80° C  
 Storage Temperature: -40° C~80° C

PART NO.: B05-0XX2X1BN-01

NO. OF CONTACT: 9P  
 09: 9P  
 25: 25P  
 HOUSING COLOR:  
 1: BLACK  
 6: BLUE



ITEM	DESC.	MATERIAL	REMARKS	PART REMARKS
4	COVER	PBT+30%GF	COLOR:SEE PART NO.	
3	HOUSING	PBT+30%GF	COLOR:SEE PART NO.	
2	SHELL	STEEL	PLATING:NI	
1	TERMINAL	COPPER ALLOY	CONTACT AREA:SEE NOTE SOLDER AREA:Sn UNDER-PLATING:NI	

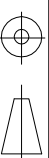
QUALITY SYMBOLS

□ :  
 CRITICAL  
 MAJOR

△ :  
 ZERO DEFECT  
 S.P.C

Tolerance

x. ±0.50  
 x ±0.30  
 .xx ±0.30



NAME: D-SUB Female IDC Type Connector

REV: A  
 SCALE: NONE  
 DATE: 2010/04/28

DRW BY: DAW NHU  
 CHK BY: KING ZHOU  
 APP BY: AD2SA-02

东莞市箐国电子有限公司

8	7	6	5	4	3	2	1
DATE	DESCRIPTION	APPROVER	ZERO DEFECT S.P.C				