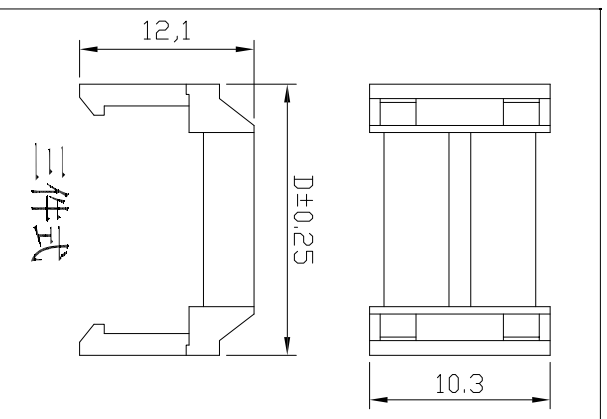
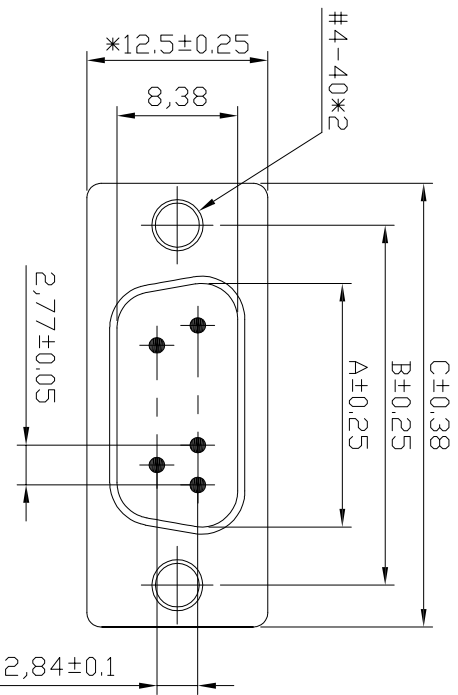
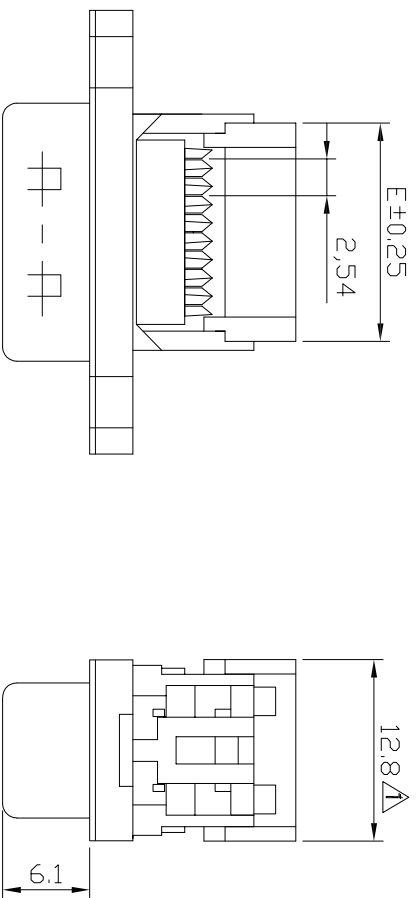


Positions	A	B	C	D	E
09	16.92	24.99	30.81	18.80	15.37 Δ
15	25.25	33.32	39.14	26.90	23.6
25	38.80	47.04	53.04	40.30	37.2
37	55.45	63.50	69.32	56.95	53.75

Specification:
 Current rating: 1 A Max.
 Dielectric withstanding voltage: 500 V(ac) for 1 min.
 Insulation resistance: 500 MW Min.
 Operating Temperature: -10° C~80° C
 Storage Temperature: -40° C~80° C



PART NO.: B05-0XX1X1BN-01
 NO.OF CONTACT: 4
 09: 9P 15: 15P 37: 37P
 25: 25P
 HOUSING COLOR: 1: BLACK 6: BLUE

ITEM	DESC.	MATERIAL	REMARKS	PART REMARKS
4	COVER	PBT+30%GF	COLOR:SEE PART NO.	
3	HOUSING	PBT+30%GF	COLOR:SEE PART NO.	
2	SHELL	STEEL	PLATING: Ni	
1	TERMINAL	COPPER ALLOY	CONTACT AREA: SEE NOTE SOLDER AREA: Sn UNDER-PLATING: Ni	

QUALITY SYMBOLS

CRITICAL MAJOR

MAJOR

MINOR

ZERO DEFECT S.P.C

NAME: D-SUB Male IDC Type Connector

REV: A

SCALE: NONE

DATE: 2010/04/28

DRW BY: DAW NHU

CHK BY: KING ZHOU

PART NO.: B05-0XX1X1BN-01

APP BY: AD25A-01

DRAWING NO.: AD25A-01

DATE: 2010/04/28

APPROVER: [Signature]

DATE: [Signature]

东莞市誉国电子有限公司

8	7	6	5	4	3	2	1
DATE	DESCRIPTION	APPROVER	ZERO DEFECT S.P.C	Tolerance	NAME: D-SUB Male IDC Type Connector	REV: A	SCALE: NONE
DATE	DESCRIPTION	APPROVER	ZERO DEFECT S.P.C	Tolerance	NAME: D-SUB Male IDC Type Connector	REV: A	SCALE: NONE