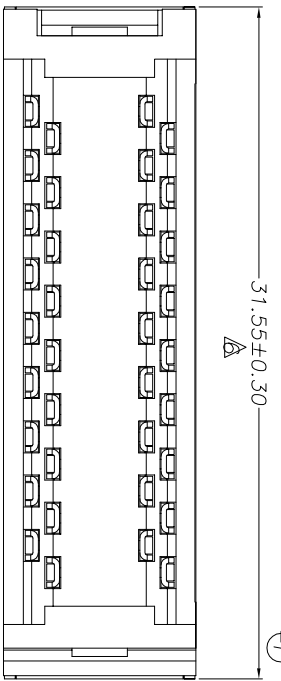
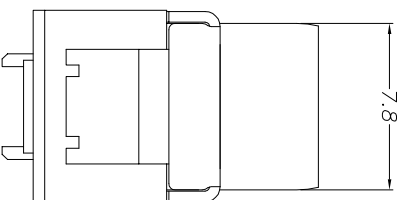
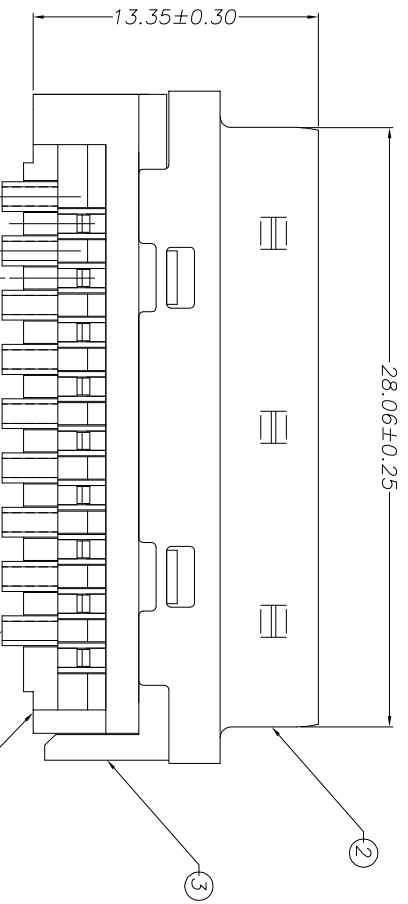


NOTES:
• ELECTRICAL CHARACTERISTICS
 Contact Current Rating: 1 Amp
 Dielectric Withstanding Voltage: 500V AC
 Insulation Resistance: 500MΩ/Min
 Contact Resistance: 35mΩ/Max
 Operation Temperature: -55°C ~ +105°C



4	COVER	PBT+30%G.F. (UL 94V-0)	COLOR:BLACK	
3	HOUSING	PBT+30%G.F. (UL 94V-0)	COLOR:BLACK	
2	SHELL	SPCC (t=0.50mm)	Ni Plating	
1	TERMINAL	PHOSPHOR BRONZE(t=0.25mm)	CONTACT AREA: Au G/F SOLDER AREA: Sn 100u" UNDER-PLATING: Ni 50u"	

QUALITY SYMBOLS

□ : MAJOR

○ : CRITICAL

▽ : ZERO DEFECT

▽ : S.P.C

Tolerance

x. @0.50

x @0.30

.xx ±0.25



NAME:

REV: A

SCALE: N:1

DATE: 2007/01/14

SGSI 36P MALE SOLDER MOLDDED TYPE (客户用图)

UNIT: mm

DRW BY: KING ZHOU

CHK BY: KING ZHOU

MATERIAL

REMARKS

PART NO.

APP BY

PART REMARKS

B03-036311E0-01

DRAWING NO. AJ3-011

2014/06/25 依客户要求修正尺寸

2012/10/25 修正材料材质表述方式

2007/01/14 新版发行

Huaping Guan

King Zhou

King Zhou

APPROVER

DESCRIPTION

DATE

8

7

6

5

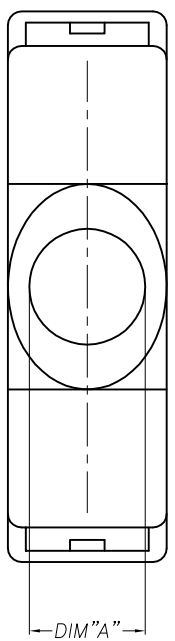
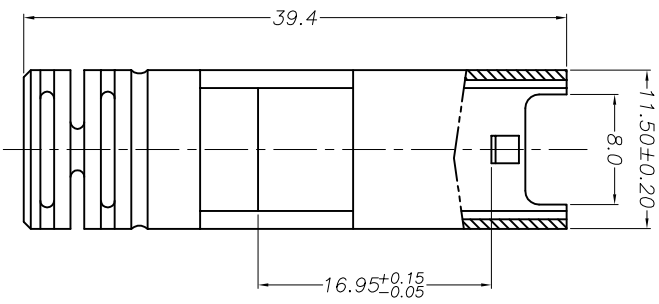
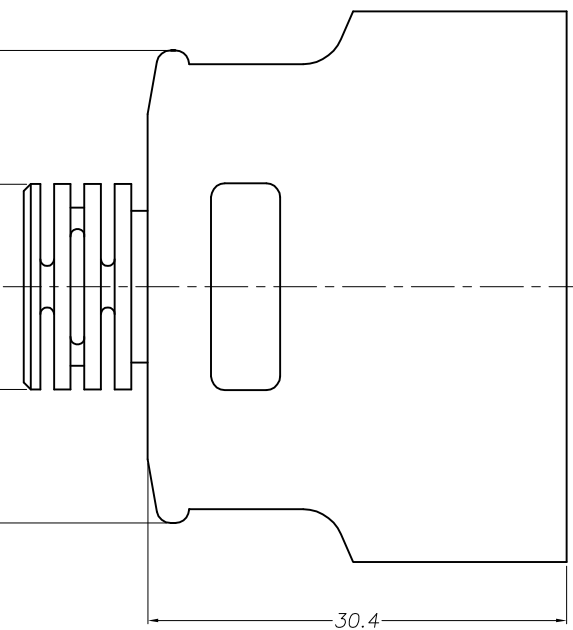
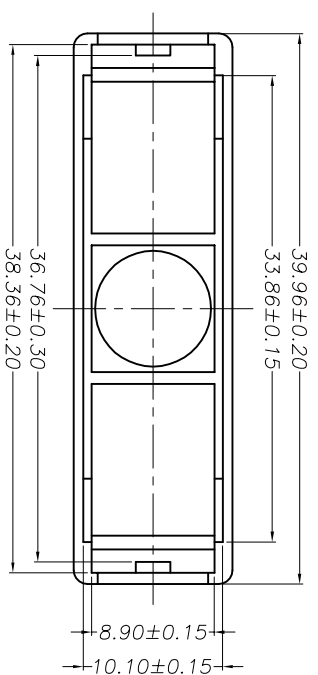
4

3

2

1

东莞市箐国电子有限公司



• ELECTRICAL CHARACTERISTICS

- Contact Current Rating: 1 Amp
- Dielectric Withstanding Voltage: 500V AC
- Insulation Resistance: 500MΩ/Min
- Contact Resistance: 35mΩ/Max
- Operation Temperature: -55°C ~ +105°C

• PART NO.:

HJ1KX X360

DIM "A" / OD

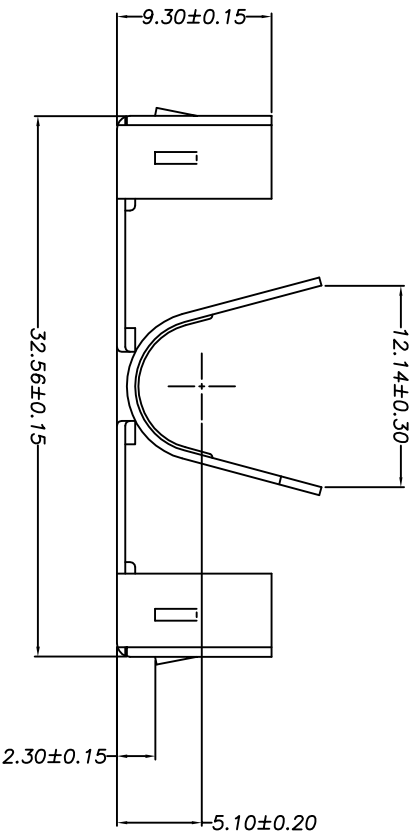
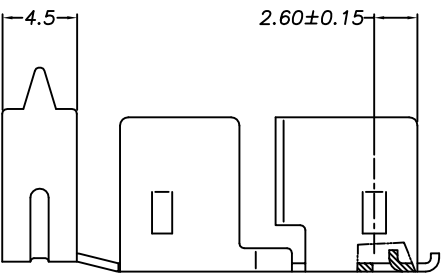
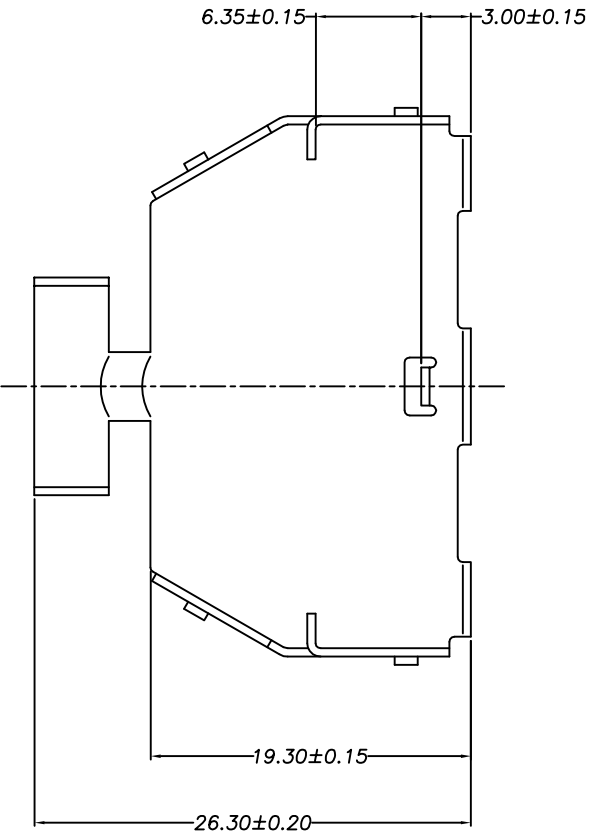
- A: $\phi 6.7$ / 6.0~6.5
- B: $\phi 7.7$ / 7.0~7.5
- C: $\phi 8.7$ / 8.0~8.5
- D: $\phi 6.9$ / 6.5~6.8

COLOR:

- R: BLACK
- U: BEIGE
- W: WHITE
- 6: 425C

8	7	6	5	4	3	2	1
F	E	D	C	B	A		
<p>1 HOOD</p> <p>DESC. ABS 757</p> <p>MATERIAL SCS1 36P/MAL/ESOLDER/ASSEMBLY HOOD (客户用图)</p> <p>REMARKS COLOR: SEE PART NO.</p> <p>PART REMARKS HJ1KX X360</p>							
<p>QUALITY SYMBOLS</p> <p>□: Tolerance</p> <p>⊠: CRITICAL</p> <p>▽: ZERO DEFECT</p> <p>S.P.C</p>		<p>NAME: SCS1 36P/MAL/ESOLDER/ASSEMBLY HOOD (客户用图)</p> <p>REV: E</p> <p>SCALE: N:1</p>		<p>UNIT: mm</p> <p>DATE: 2007/04/14</p>		<p>PART NO.</p> <p>APP BY</p> <p>DRAWING NO. HJ1-004</p>	
<p>1 King Zhou</p> <p>King Zhou</p> <p>DAWN HU</p>		<p>DATE: 2007/04/14</p> <p>增加材料及特性描述, 修正品名, 删除部份颜色规格</p>		<p>DAWN HU</p> <p>KING ZHOU</p>		<p>2013/07/10 依实物修改图面</p>	
<p>DATE: 2007/04/14</p> <p>新板发行</p>		<p>DESCRIPTION</p>		<p>APPROVER</p>		<p>8</p>	
A	B	C	D	E	F		

东莞市箐围电子有限公司



• ELECTRICAL CHARACTERISTICS

Contact Current Rating: 1 Amp
 Dielectric Withstanding Voltage: 500V AC
 Insulation Resistance: 500M /Min
 Contact Resistance: 35m /Max
 Operation Temperature: -55°C ~ +105°C

• PART NO.:

SJ1S2036X0
 LOWER COVER PLATING
 B:NI 100u"
 M:G/F

NAME:	SCSI 36Pin Male Shield Case-2		PART NO.	SJ1S2036X0	
REV:	E	UNIT:	mm	DRW BY	CHK BY
SCALE:	N:1	DATE:	2007/04/14	DAWN HU	KING ZHOU
DRAWING NO.				SJ1-004	

东莞市箜国电子有限公司

QUALITY SYMBOLS

□: CRITICAL
 MAJOR
 ∇: ZERO DEFECT
 S.P.C

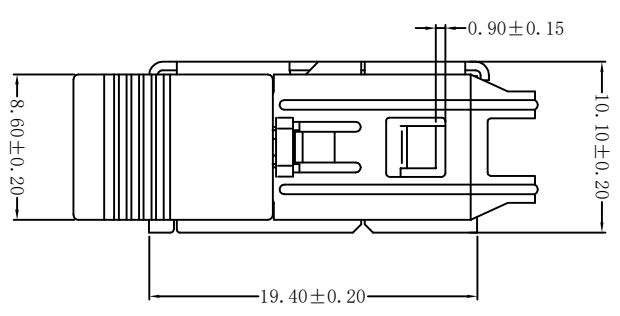
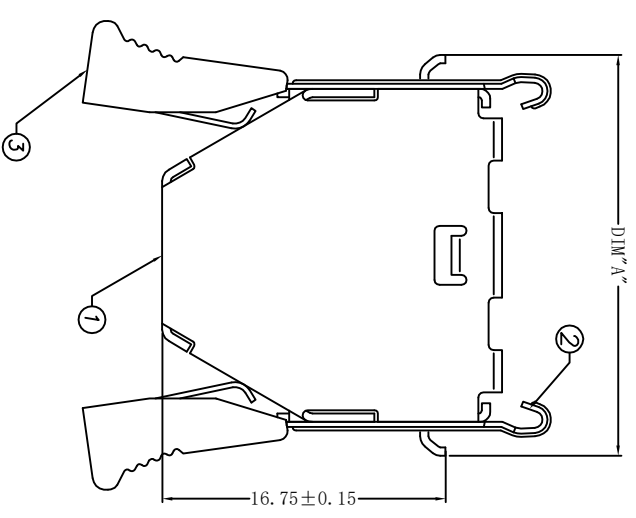
Tolerance

X. @0.50
 X @0.30
 .XX ±0.15



QUALITY SYMBOLS	APPROVER	DATE	DESCRIPTION	SIDE
DAWN HU	2007/04/14	2007/04/14	2007/04/14新版发行	△

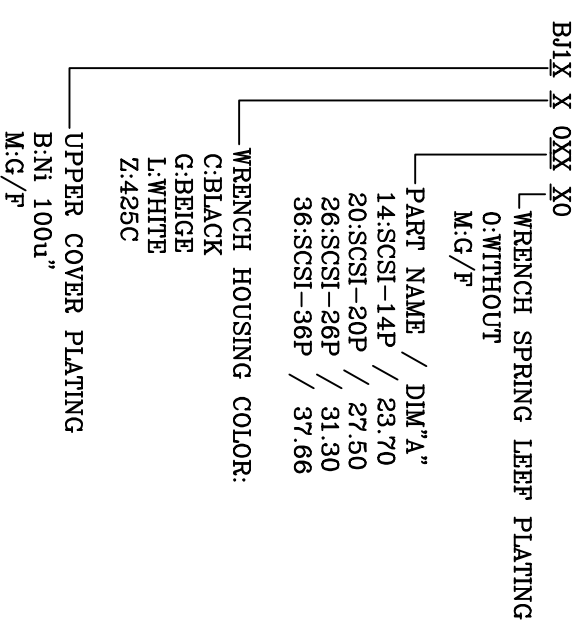
8 7 6 5 4 3 2 1



A • ELECTRICAL CHARACTERISTICS

Contact Current Rating: 1 Amp
 Dielectric Withstanding Voltage: 500V AC
 Insulation Resistance: 500MΩ/Min
 Contact Resistance: 35mΩ/Max
 Operation Temperature: -55°C ~ +105°C

• PART NO.:



A	2013/07/10	依实物修改图面	King Zhou	QUALITY SYMBOLS	Tolerance	NAME: SCSI 36Pin Male Shield Case-1	PART NO. B11X X 0XX X0	DRAWING NO. HJ1-004	
	2011/09/07	增加材质及特性描述,修正品名, 删除部份颜色规格	King Zhou	<input type="checkbox"/> : CRITICAL <input checked="" type="checkbox"/> : MAJOR 0: : ZERO DEFECT S.P.C	X: @0.50 X: @0.30 .XX ±0.15	REV: E	UNIT: mm	DRW BY: DAWN HU	CHK BY: KING ZHOU
	2007/04/14	新版发行	DAWN HU	APPROVER		SCALE: N:1	DATE: 2007/04/14	DAWN HU	KING ZHOU
A	SIDE	DATE	DESCRIPTION	APPROVER	ZERO DEFECT S.P.C	东莞市箐国电子有限公司			
B	8	7	6	5	4	3	2	1	